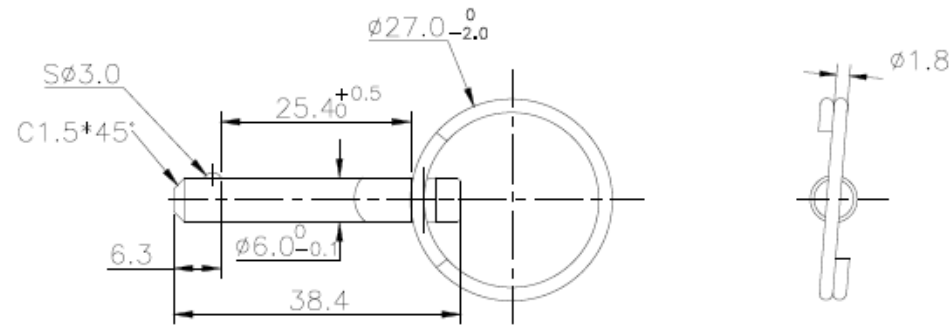


For your approved



Unless otherwise specified, tolerances are:
 1. Wall Thickness = $\pm 5\%$
 2. Angles = $\pm 2^\circ$
 3. Profile dimensions fit : ISO JS13
 ★ INDICATES "CRITICAL TO QUALITY" DIMENSION
 REMOVE BURRS AND SHARP CORNERS 0.10-0.25

PIN

Drawn: ZYB Date: 16.12.03

Checked: Date:

Approved: Date:

M'TL: SUS304

Weight: g

Finish:

Scale:

Dimensions: M/M

SHEET OF

DWG. NO.: 002227SON

Revision: A0

Customer's No.: 37.264.15

Ecn	Revisions	Description	Date	Revised

Projection: A4H