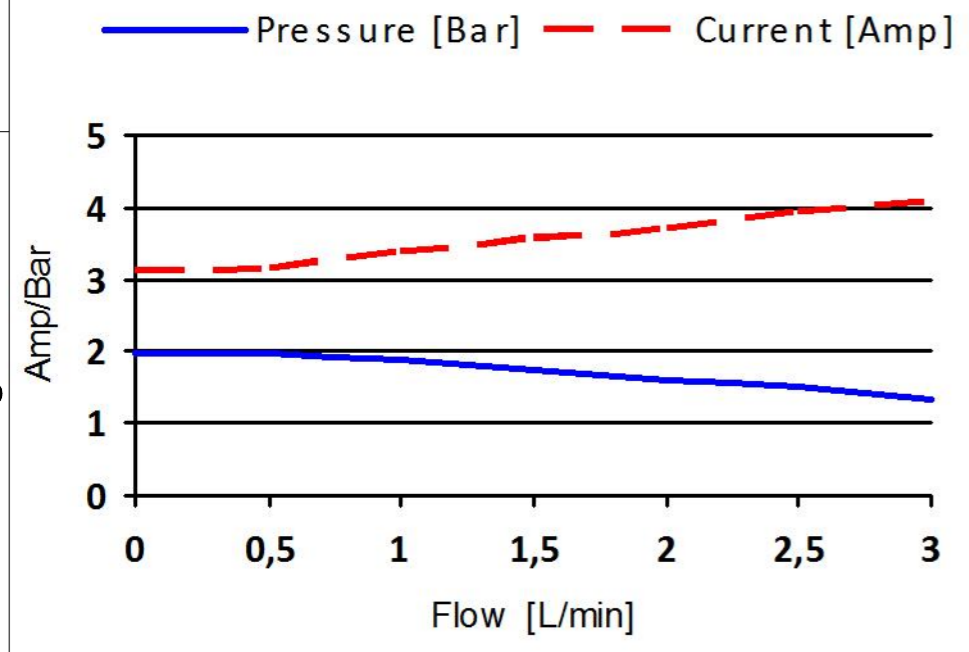
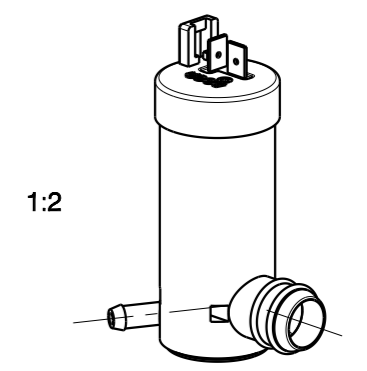
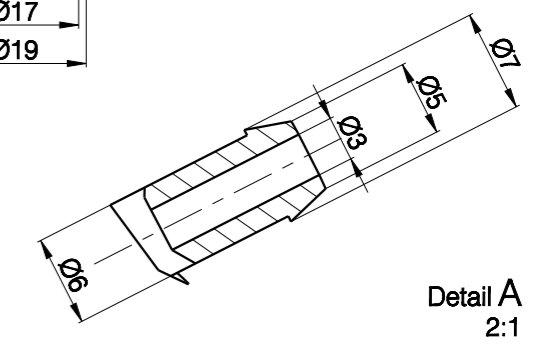
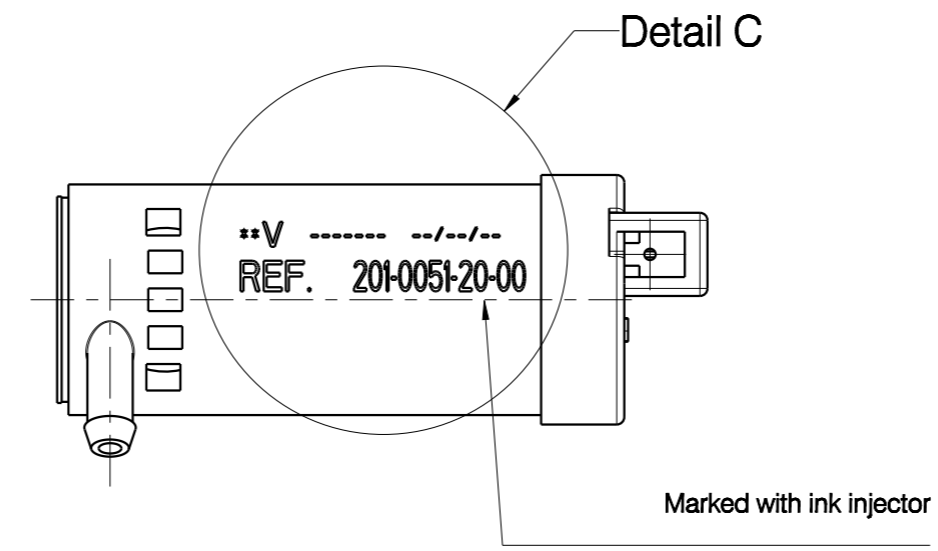
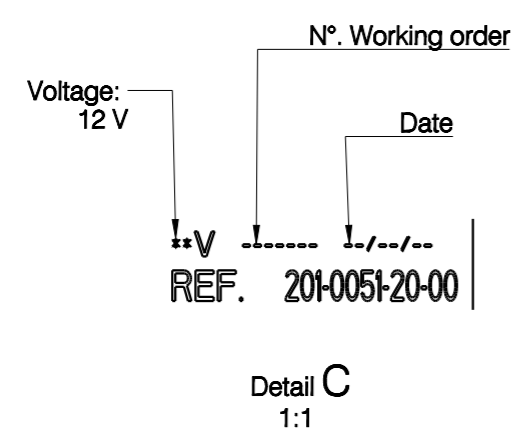
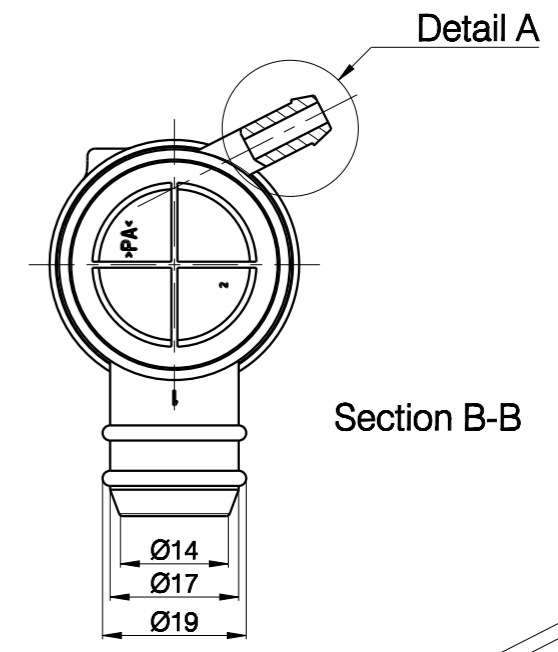
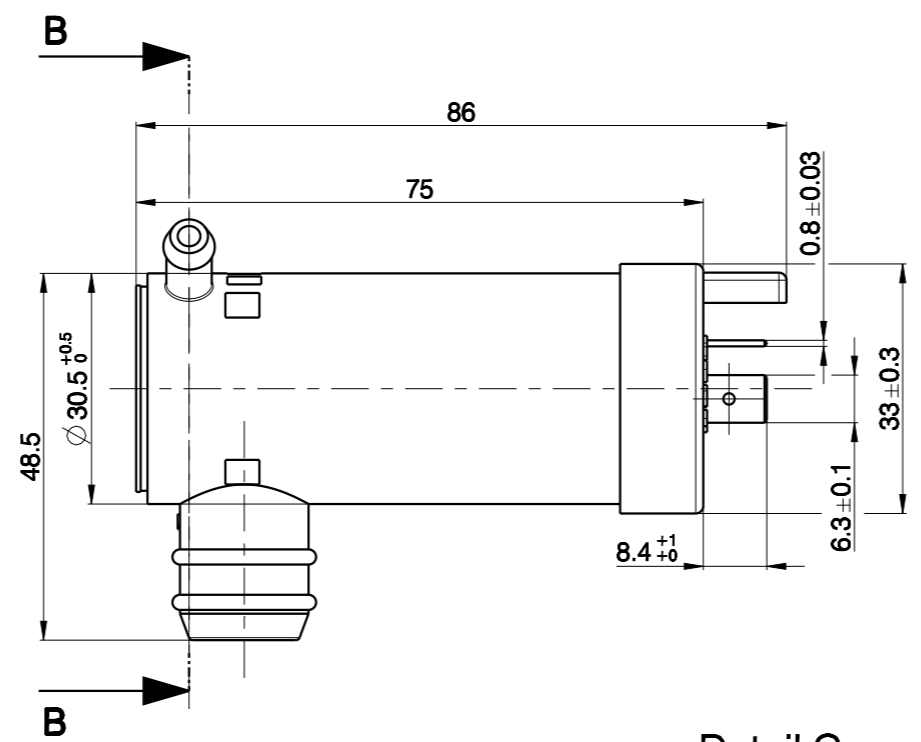
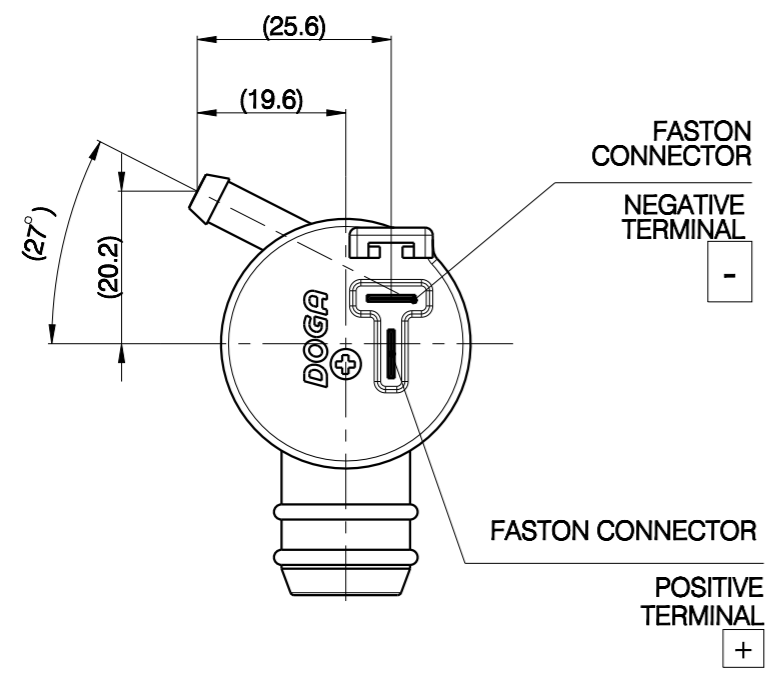


La información consignada en este documento es estrictamente confidencial, y propiedad de DOGA, S.A. Queda estrictamente prohibido cualquier uso no expresamente autorizado. Cualquier negligencia o infracción se resolverá mediante procedimiento legal, a efectos de protección de datos. The information briefed in this document is strictly confidential, and property of DOGA, S.A. Any use not specifically authorized is strictly prohibited. Any negligence or infraction will be solved by means of legal procedure, with the object of data protection.

MODIFICATION				COORD.
Added note degree IP of protection				D2 - D3



PERFORMANCES AND TESTING CONDITIONS PUMP 13 V
 Pump Type: Centrifugal pump
 Nominal Voltage: 12 V
 Max continuous on the time pumping: 1 min
 Max working time without water: 30 sec
 Degree of protection: IP54
 EMC PROTECTION In accordance to Directive 2004/104/CE + Directive 2005/83/CE

DRAWN	PDS, Administrator	MATERIAL	WEIGHT	DOGA LIMPIAPARABRISAS - COMPONENTES DE AUTOMOCIÓN WINDSHIELD WIPERS - AUTOMOTIVE COMPONENTS
	19/04/2017	TREATMENT FINISH	87.2 g	
APPROVED	Sibona, Sergio	CUST	PART NUMBER	REVISION
	20/06/2017		201-0051-20-00	
PART NAME			WASHER PUMP 12V	
GENERAL TOLERANCES			CUSTOMER	SCALE
>400 <=1000	±2	0.2	CUSTOMER PART NUMBER	1:1
>120 <=400	±1	0.1	VEHICLE	A3
>30 <=120	±0.5	0.2	STATUS	1 / 1
<=30	±0.3	±2°	Released	