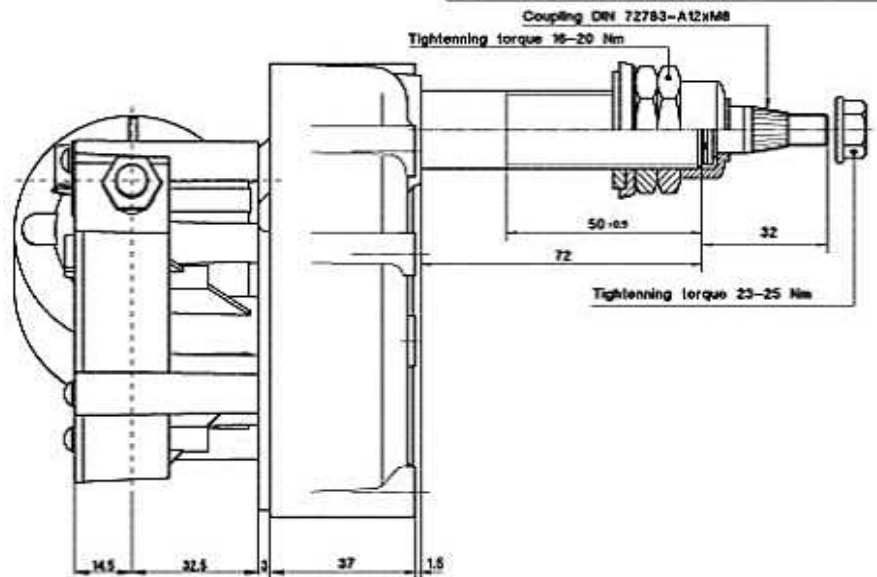
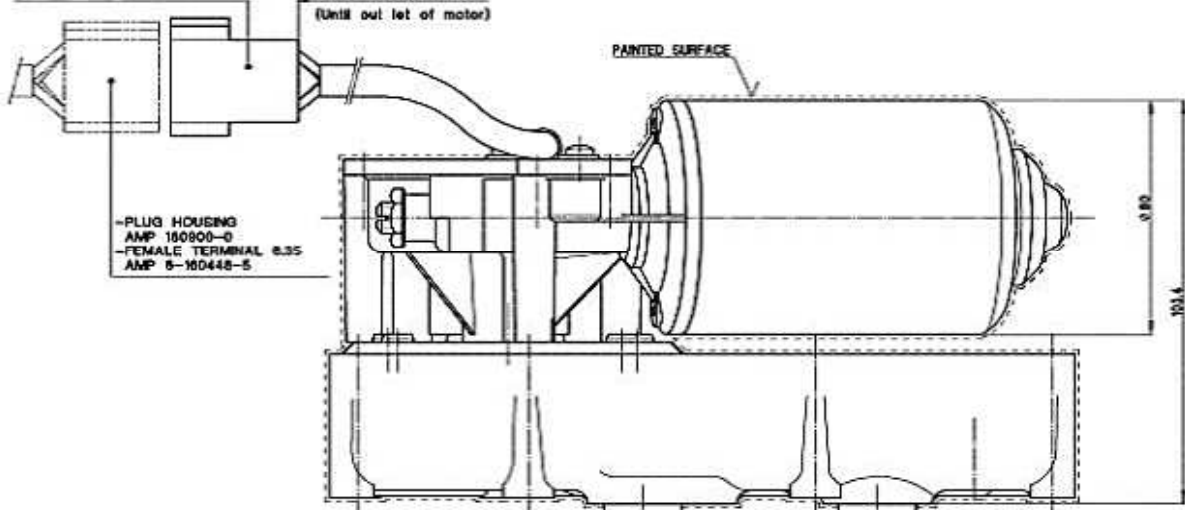


TOLERANCIAS GENERALES GENERAL TOLERANCES		CLASS OUTLINE	
>400	±0.10	±0.2	±0.1
120	±0.05	±0.1	±0.05
>30	±0.03	±0.05	±0.02
≤30	±0.02	±0.03	±0.02

MODIFICACION MODIFICATION		COORD.

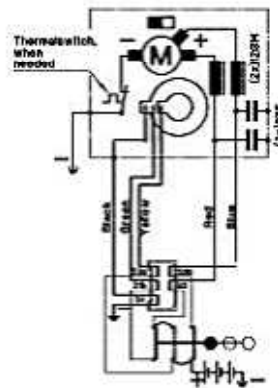


-HOUSING AMP 737021-0
-MALE TERMINAL 6.35x0.8
AMP 42245-2



TERMINAL DIN72652	COLOUR	ELECTRICAL WIPER FUNCTION
53	RED	Positive (sped n1 feed switch)
53b	BLUE	Positive (sped n2 feed switch)
53a	YELLOW	Positive (auxiliar park feed)
31	BLACK	Negative (Earth)
31b	GREEN	Positive (park feed)

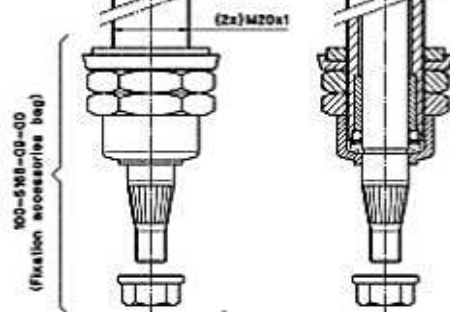
MOTOR P/N	V	PARK POSITION	FINISH
111-9780-20-10	12V	" "	WITHOUT
111-9780-30-10	24V	" " LEFT	WITHOUT
111-9780-20-D0	12V	" " RIGHT	WITHOUT
111-9780-30-D0	24V	" " RIGHT	WITHOUT
111-9780-20-16	12V	" " LEFT	PAINTED
111-9780-30-16	24V	" " LEFT	PAINTED
111-9780-20-D6	12V	" " RIGHT	PAINTED
111-9780-30-D6	24V	" " RIGHT	PAINTED



WIRING DIAGRAM
(View front connector)

MOTOR PERFORMANCE TYPE 111

NO LOAD PERFORMANCE				Starting torque	Testing voltage
Speed	V	Current	r.p.m		
n1	12	≤ 1.6 A	34 ±3	> 25 Nm	12V
n2	12	≤ 2.8 A	52 ±5		
n1	12	≤ 1 A	34 ±3	> 25 Nm	24V
n2	12	≤ 1.6 A	52 ±5		



MATERIAL	10-10-12	REVISION	111-9780-00	DATE	11
TECHNICAL DRAWING	10-10-12	REVISION	111-9780-00	DATE	11
DESIGNER	P. French	REVISION	111-9780-00	DATE	11
DRIVER	H. Bouchet	REVISION	111-9780-00	DATE	11
WINDSHIELD WIPER MOTOR TYPE 111			DOGA <small>INDUSTRIE - COMMERCE - SERVICE</small>		