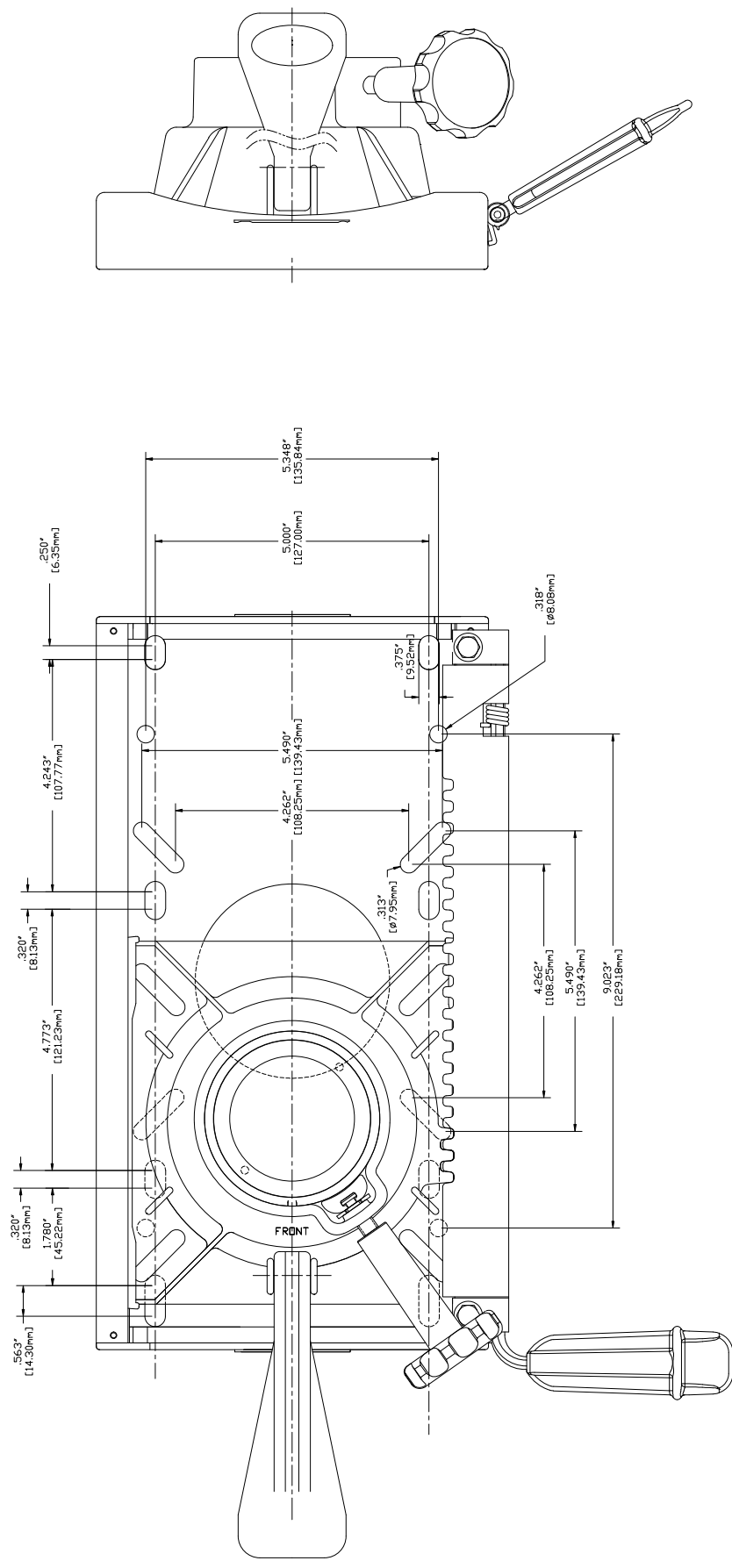


	11	12	13	14	15	16	17	18	19	20	21	22	23	24	25	26	27	28	29	30	31	32	33	34	
DESIGN	REV	DATE	DESIGNER	REVISIONS	DATE	BY	REASON	DATE	BY	REASON	DATE	BY	REASON	DATE	BY	REASON	DATE	BY	REASON	DATE	BY	REASON	DATE	BY	REASON
1																									
2																									
3																									
4																									
5																									
6																									
7																									
8																									
9																									
10																									
11																									
12																									
13																									
14																									
15																									
16																									
17																									
18																									
19																									
20																									
21																									
22																									
23																									
24																									
25																									
26																									
27																									
28																									
29																									
30																									
31																									
32																									
33																									
34																									



PRODUCTION RELEASE DATE: 00/00/00	
NAME: SLIDE - 2-7/8" TRACKLOCK III	APPROVED BY: MATERIAL
WITH ENDCAPS	DATE:
DRAWN BY:	DATE:
UNSPECIFIED DIMENSIONS	DIMENSIONS (DIMENSIONS)
Angular: ±.05°	TOLERANCE (MICRONS)
DATE:	DATE:
DRAWN BY:	DATE:
DATE:	DATE:
DRAWN BY:	DATE:
DATE:	DATE:
DRAWN BY:	DATE:
DATE:	DATE: