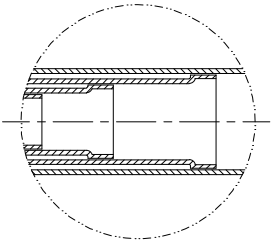
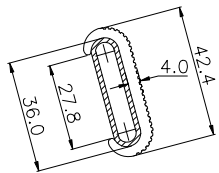
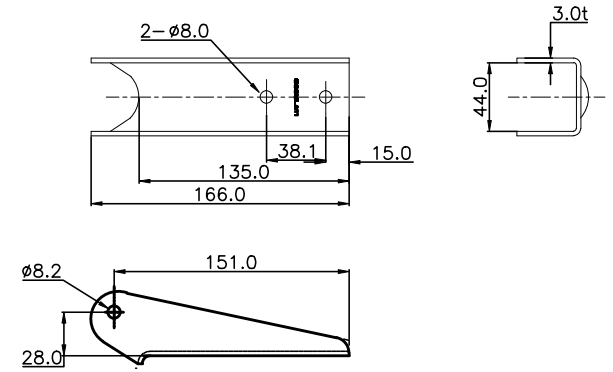
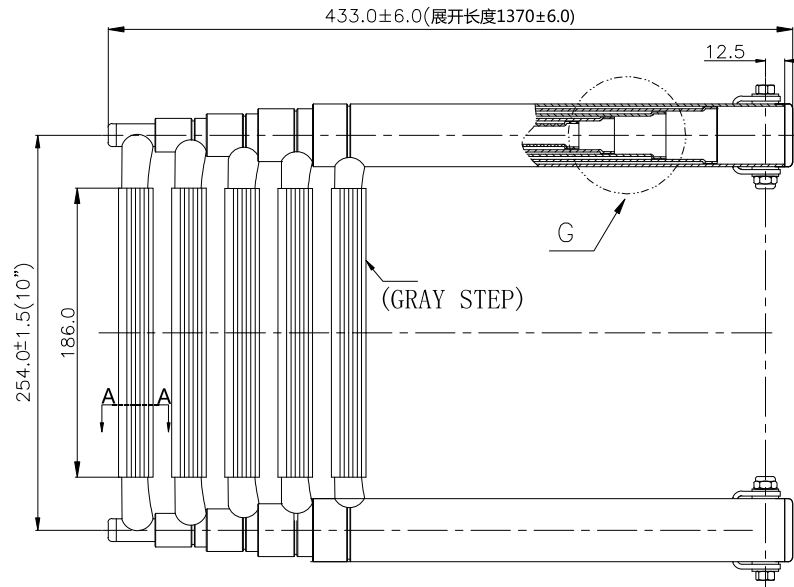


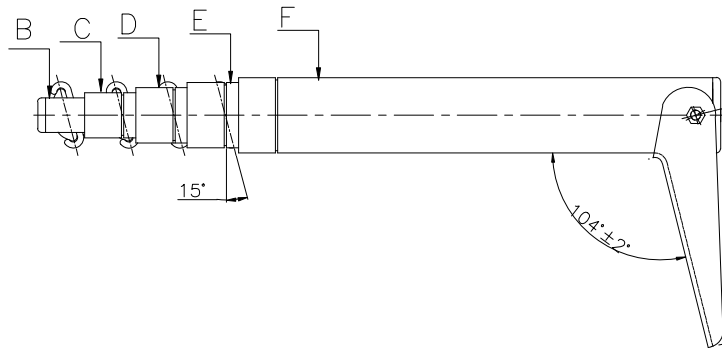
For your approved



DETAIL G 2:1



A:2:1



Unless otherwise specified; tolerances are:

1. Wall Thickness = $\pm 5\%$
2. Angles = $\pm 2^\circ$
3. Profile dimensions fit : ISO JS13

★ INDICATES "CRITICAL TO QUALITY" DIMENSION
REMOVE BURRS AND SHARP CORNERS 0.10-0.25

Drawn: _____ Date: _____

Checked: _____ Date: _____

Approved: _____ Date: _____

Projection:

M'TL: SUS316

Weight: g

Finish: _____

Scale: _____

Dimensions: M/M

SHEET OF _____

DWG. NO.: _____ Edition: A0

Customer's No.: 49.555.05

Ecn	Revisions	Description	Date	Revised

A4H