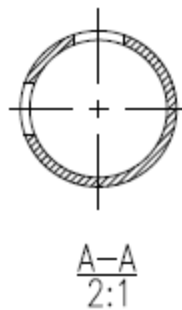
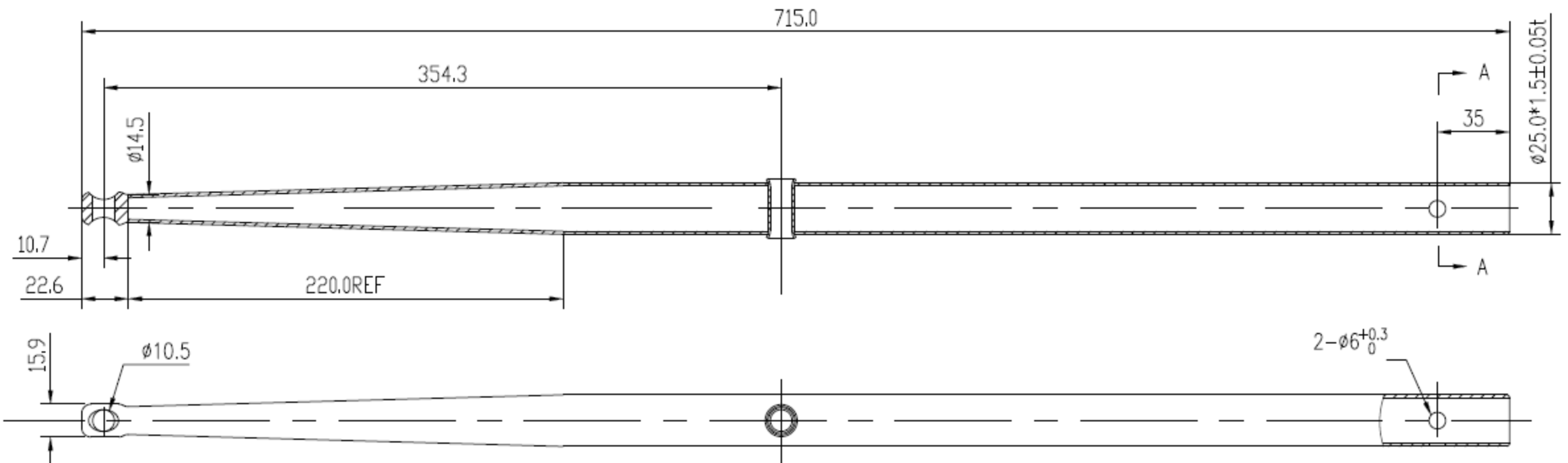


REVISIONS				
ZONE	LTR	DESCRIPTION	DATE	APPROVED



OSC: 4117441

UNLESS OTHERWISE SPECIFIED: DIMENSION ARE IN m/m DO NOT SCALE DRAWING					
DRAWN	C.L.	DATE	2004.09.01		
CHECKED		M' TL	SUS316	Q' TY	
APPROVED		W. T.	g	FINISH	
PROJECTION		SCALE	RELEASE DATE	DWG NO.	EDITION
				02945SAL	A1
				SHEET	OF