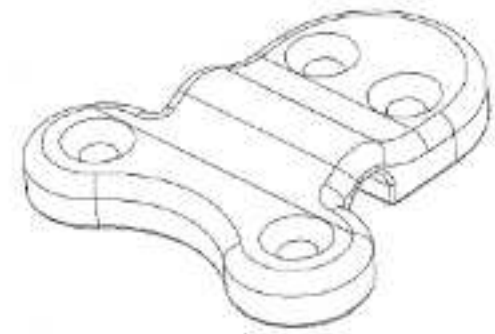
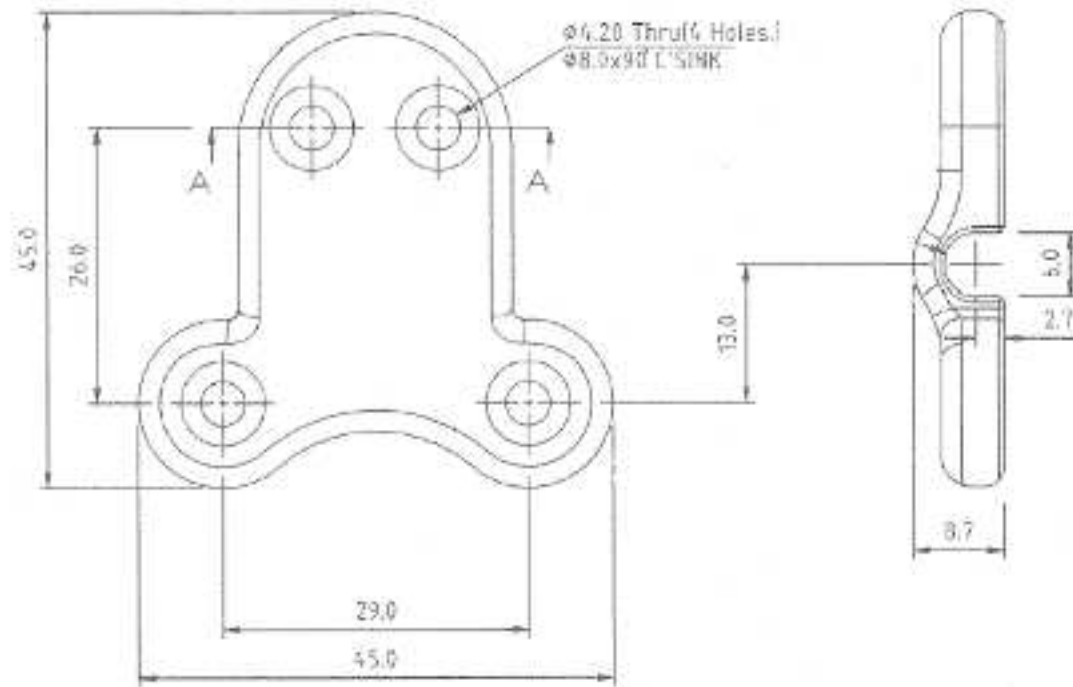
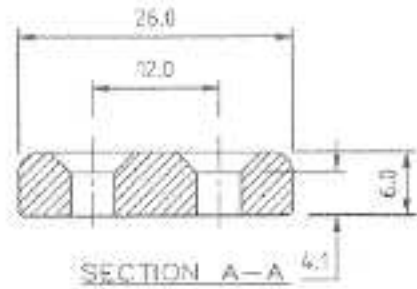


REV.	DESCRIPTION	DATE	DWG. BY	DATE	CHECK BY
A1	ISSUE	31 AUG 2004	PRADIP		
A2	CHANGE APPROX. 1/4 TO 20	11 JUL 2008	SAHIL S.		



NOTE :

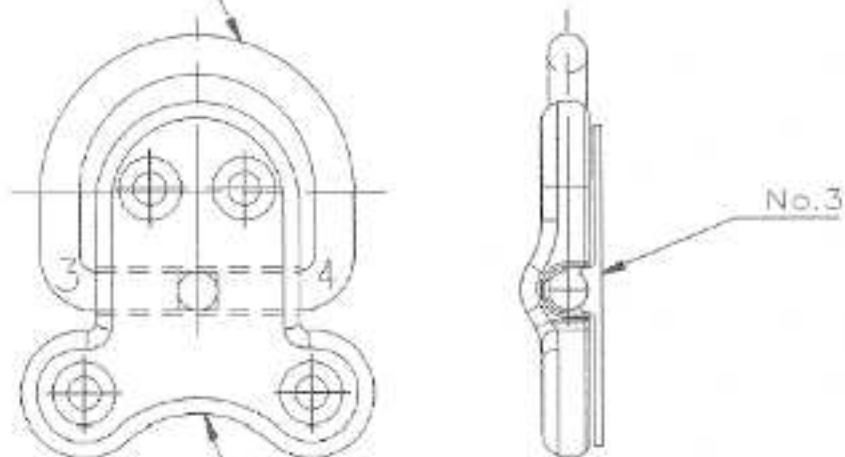
1. BREAK ALL SHARP EDGES.
2. VIBRATION FINISH

DRAWING BY : Pradip H.		TITLE :			
DATE : 31 AUG 2004		FOLDER BODY 1 1/2"			
CHECKED BY :		CUSTOMER :			
DATE :					
APPROVED BY :		REVISION	MOLD No.	MATERIAL	WEIGHT
DATE :		0.0	KH-058	316	
SCALE : 4:1		DWG. No. :			SHEET
					1 of 3

TOLERANCE	DATE :
Ø 0.X ± 0.5	
Ø 0.XX ± 0.3	
Ø 0.XXX ±	
Ø ANGULAR ± 1°	

REV.	DESCRIPTION	DATE	DRG. BY
A.0	FORNAP	11 SEP 2006	SUTOWAT 3.
A.1	DRWG. FILE, FOLDER 1 1/2" FOLDING PAD EYE, BACK CARD IN PLATE AT ALL 4 SPREAD PAGES 24	04 JUN 2003	807
A.2	ADD DRG. NUMBERING, SYSTEMS AT P.4. 5.	31 DEC 2005	61

No.2 (Mold No. KH-059)



No.1 (Mold No. KH-058)

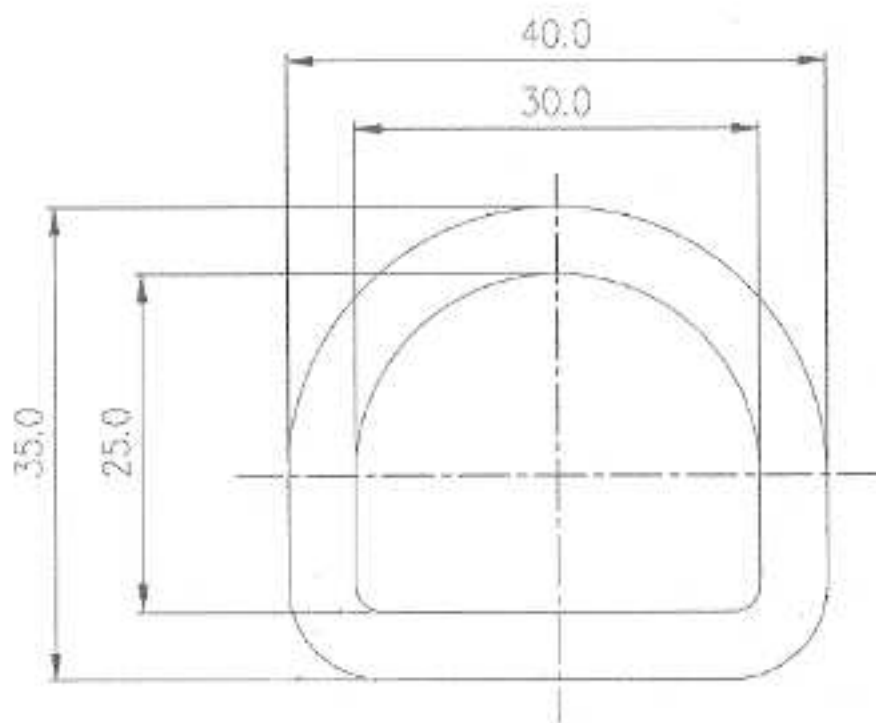
NOTE:

1. BREAK ALL SHARP EDGED.
2. VIBRATION FINISH
3. FUNCTION LOAD 500 Kg

DRAWING BY : SUTOWAT 3.		TITLE :		
DATE : 11 SEP 2006		1.5" FOLDING PAD EYE		
CHECKED BY :		CUSTOMER :		
DATE :		OSCOLATI		
APPROVED BY :		REVISION	MOLD No.	MATERIAL
DATE :		A.2		
SCALE : N.T.S.		DWG. No. :	REF. No. :	
TOLERANCE :				
∅ 0	±			
∅ 0.X	± 0.05			
∅ 0.XX	± 0.1			
∅ 0.XXX	±			
∅ ANGULAR	± 1°			

No.	DWG No.	TITLE	MATERIAL	QUANTITY
1	88684-01	FOLDER BODY 1 1/2"	316	1
2	88684-02	FOLDER D RING 1 1/2"	316	1
3	A70088784	PLATE (1-1/2")	INR	1
4	D18036080	BACK CARD (70x130mm)	PAPER	1
5	01777483EJ	PLASTIC BOX (136x73mm)	PLASTIC	1

REV.	DESCRIPTION	DATE	DWG. BY
A.0	ISSUE	11 SEP 2008	Sattwat B.
A.1	ISSUE DRAWING & CHECK WITH 3.1	11 SEP 2010	Pragatish A.



NOTE :

1. BREAK ALL SHARP EDGES
2. VIBRATION FINISH

DRAWING BY : Sattwat B.		TITLE :	
DATE : 11 SEP 2008		FOLDER O RING 1 1/2"	
CHECKED BY :		CUSTOMER :	
DATE :		OSCILAT	
$\phi 0 \pm$	APPROVED BY :	REVISION	MOLD No
$\phi 0.X \pm 0.02$	DATE :	A.1	KH-059
$\phi 0.XX \pm 0.02$			MATERIAL
$\phi 0.XXX \pm$			316
ϕ ANGULAR $\pm 1'$	SCALE : 1:1	DWG. No. :	REF. No. :