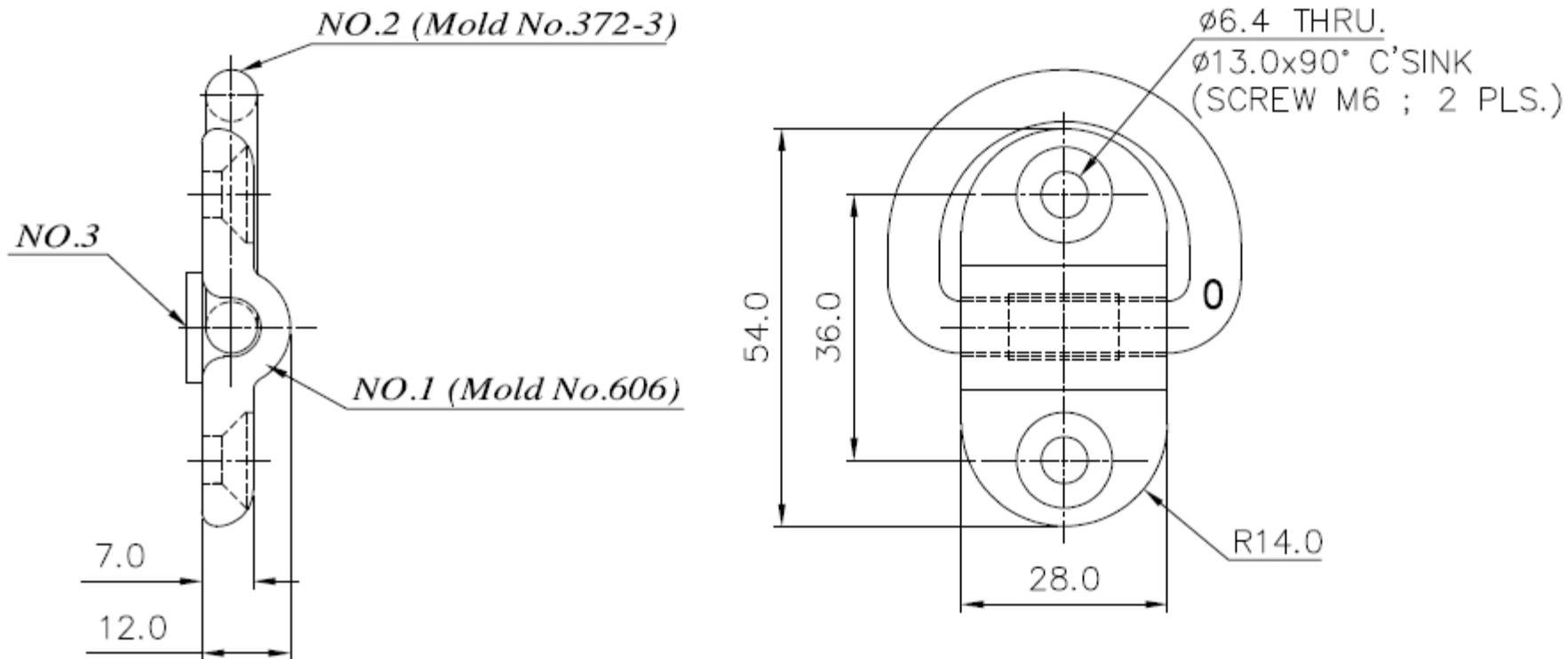


REV.	DESCRIPTION	DATE	DWG. BY
B.3	CHANGE TITLE MOUNTING TO FOLDING PAD EYE & UPDATE NOTES	10 JUN 2013	BOY
B.4	ADD DWG. No.D18086686, D1777463EU AT No.4, 5	01 DEC 2015	AU
C.0	CHANGE MATERIAL 17-4 TO 316 AT No.2 & TITLE NAME FOLDING PAD EYE TO FOLDING PAD EYE 7MM 2 HOLES	06 OCT 2016	JACK



- NOTE:
1. BREAK ALL SHARP EDGES
  2. VIBRATION FINISH
  3. FUNCTION LOAD 800 Kg
  4. BREAK LOAD 1500 Kg

DRAWING BY : PRANEE S.		TITLE :		
DATE : 01 NOV 2000		FOLDING PAD EYE 7MM 2 HOLES		
CHECKED BY :		CUSTOMER :		
DATE :				
APPROVED BY :		REVISION	MOLD No.	MATERIAL
DATE :		C.0		
SCALE : N.T.S.		DWG. No. :		REF. No. :
TOLERANCE				
<input checked="" type="checkbox"/> 0	±			
<input checked="" type="checkbox"/> 0.X	± 0.25			
<input checked="" type="checkbox"/> 0.XX	± 0.13			
<input checked="" type="checkbox"/> 0.XXX	± 0.05			
<input checked="" type="checkbox"/> ANGULAR	± 1'			

No.	DWG No.	TITLE	MATERIAL	QUANTITY
1	86680A-01	MOUNTING BASE	316	1
2	86680-02	HINGE HOLDING RING	316	1
3	A70680685	PLATE	NBR 50'	1
4	D18086686	BACK CARD (70x136mm)	PAPER	1
5	D1777463EU	PLASTIC BOX (136x73mm)	PLASTIC	1