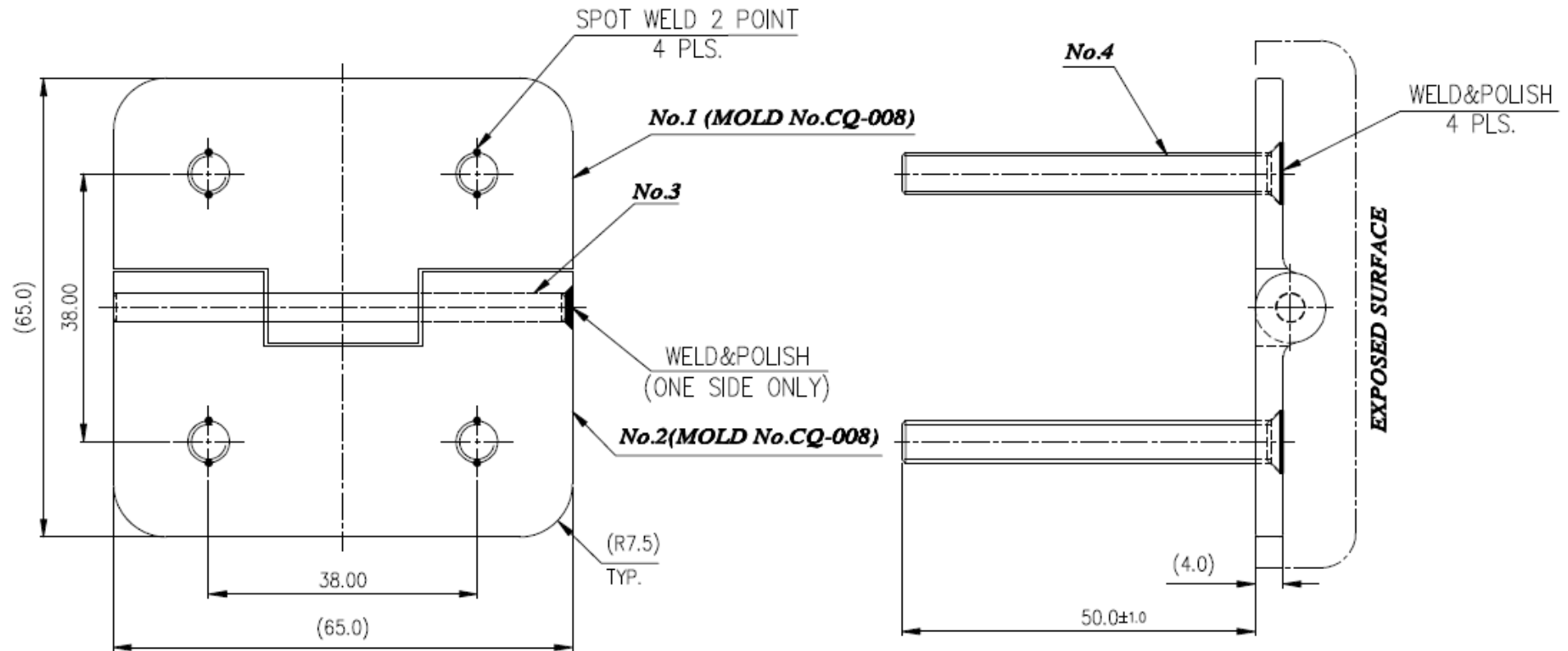


REV.	DESCRIPTION	DATE	DWG. BY
A.0	REDRAW	06 AUG 2003	
B.0	CHANGE DWG No.86335C TO 86335D & CHANGE DWG No.PART 1,2	03 JAN 2004	
B.1	CHANGE DWG. No. A4300464 TO A43P004064 AT No.3 , TITLE NAME SCREW TO STUD AT No.4 & TITLE NAME	23 JAN 2016	

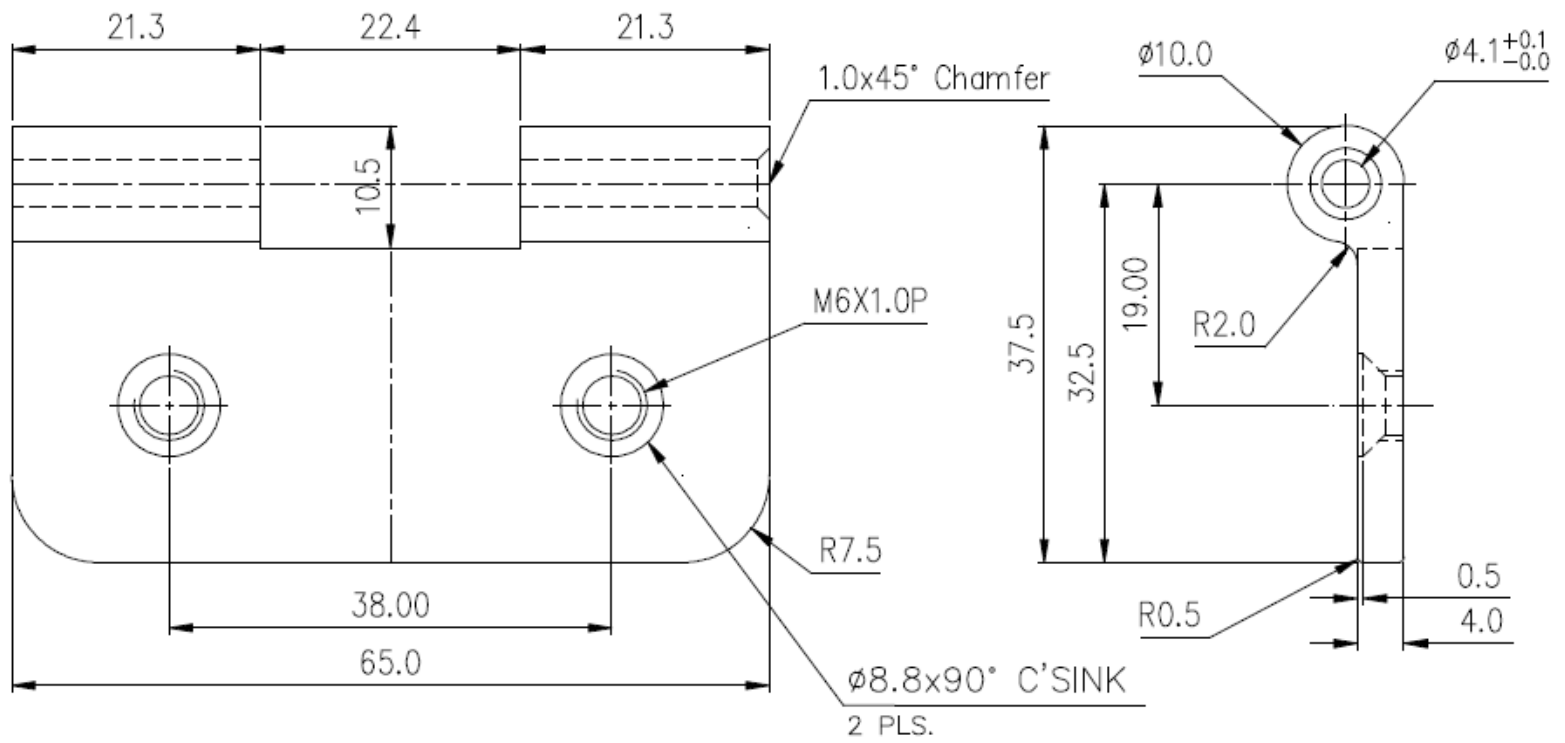


NOTE:
 1. BREAK ALL SHARP EDGES
 2. POLISH ON EXPOSED SURFACE

No.	DWG. No.	TITLE	MATERIAL	Q'TY
1		HALF HINGE	316	1
2		HALF HINGE	316	1
3		PIN (ø4.0x64.0L)	304	1
4		STUD (M6x1.0Px53.0L)	304	4

DRAWING BY :		TITLE :		
DATE : 06 AUG 2003		HINGE T/P 4xM6x50 STUD		
CHECKED BY :		CUSTOMER :		
DATE :				
APPROVED BY :		REVISION	MOLD No.	MATERIAL
DATE :		B.1		
SCALE : N.T.S.		DWG. No. :		REF. No. :
TOLERANCE				
☑ 0	± 0			
☑ 0.X	± 0.25			
☑ 0.XX	± 0.13			
☑ 0.XXX	± 0.05			
☑ ANGULAR	± 1'			

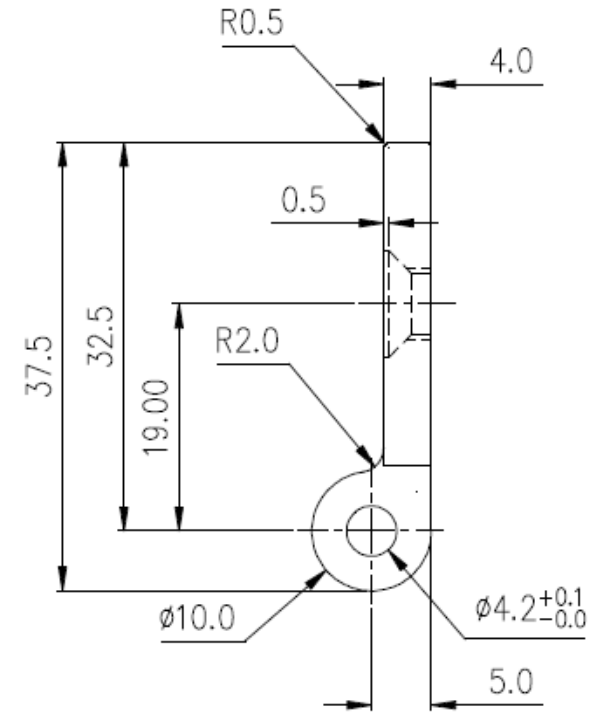
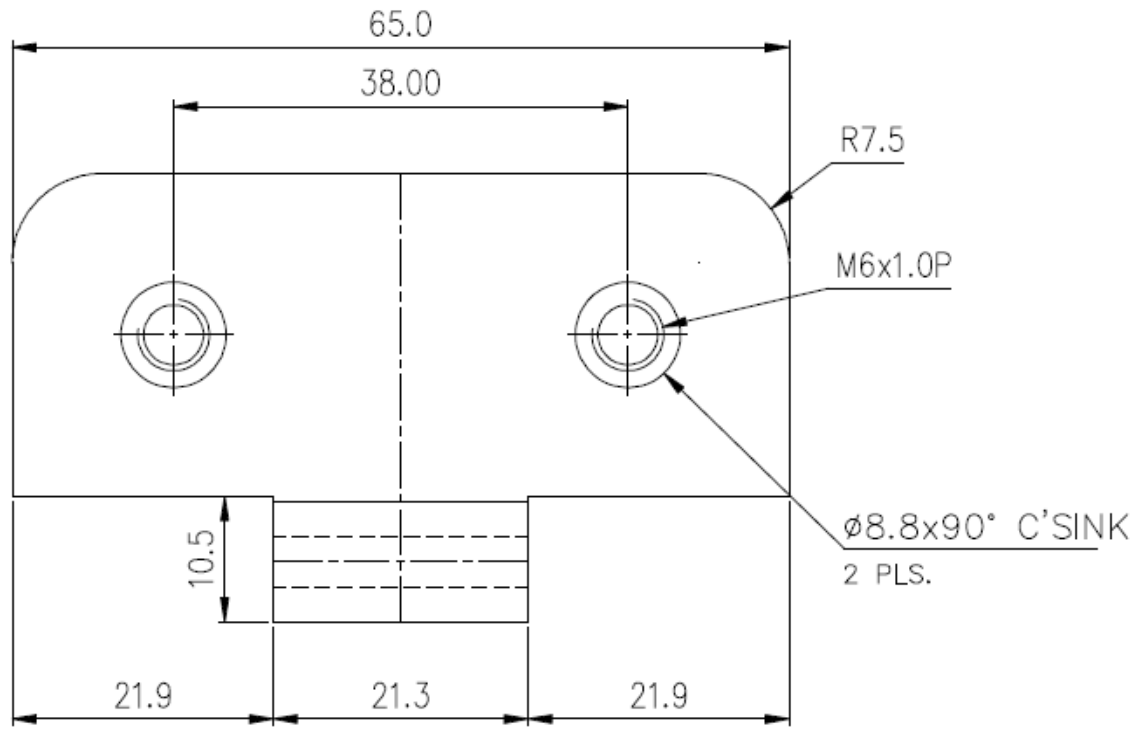
REV.	DESCRIPTION	DATE	DWG. BY	DATE	CHECK BY
A.0		06 AUG 03			
B.0		03 FEB 2004			



DRAWING BY : T.Tanarat		TITLE :			
DATE : 06 AUG 2003		HALF HINGE			
CHECKED BY :		CUSTOMER :			
DATE :					
APPROVED BY :		REVISION	MOLD No.	MATERIAL	WEIGHT
DATE :		B.0	CQ-008	316	
SCALE : N.T.S.		DWG. No. :			SHEET
					2 : 5

TOLERANCE	DATE :
<input checked="" type="checkbox"/> 0.X ± 0.25	
<input checked="" type="checkbox"/> 0.XX ± 0.13	
<input checked="" type="checkbox"/> 0.XXX ± 0.05	
<input checked="" type="checkbox"/> ANGULAR ± 0°30'	

REV.	DESCRIPTION	DATE	DWG. BY	DATE	CHECK BY
A.0		06 AUG 03			
B.0		03 FEB 2004			



DRAWING BY :		TITLE :			
DATE : 06 AUG 03		HALF HINGE			
CHECKED BY :		CUSTOMER :			
DATE :					
APPROVED BY :		REVISION	MOLD No.	MATERIAL	WEIGHT
DATE :		B.0		316	
SCALE : N.T.S.		DWG. No. :			SHEET
					1 : 5

TOLERANCE	DATE :
☑ 0.X ± 0.25	
☑ 0.XX ± 0.13	
☑ 0.XXX ± 0.05	
☑ ANGULAR ± 0°30'	