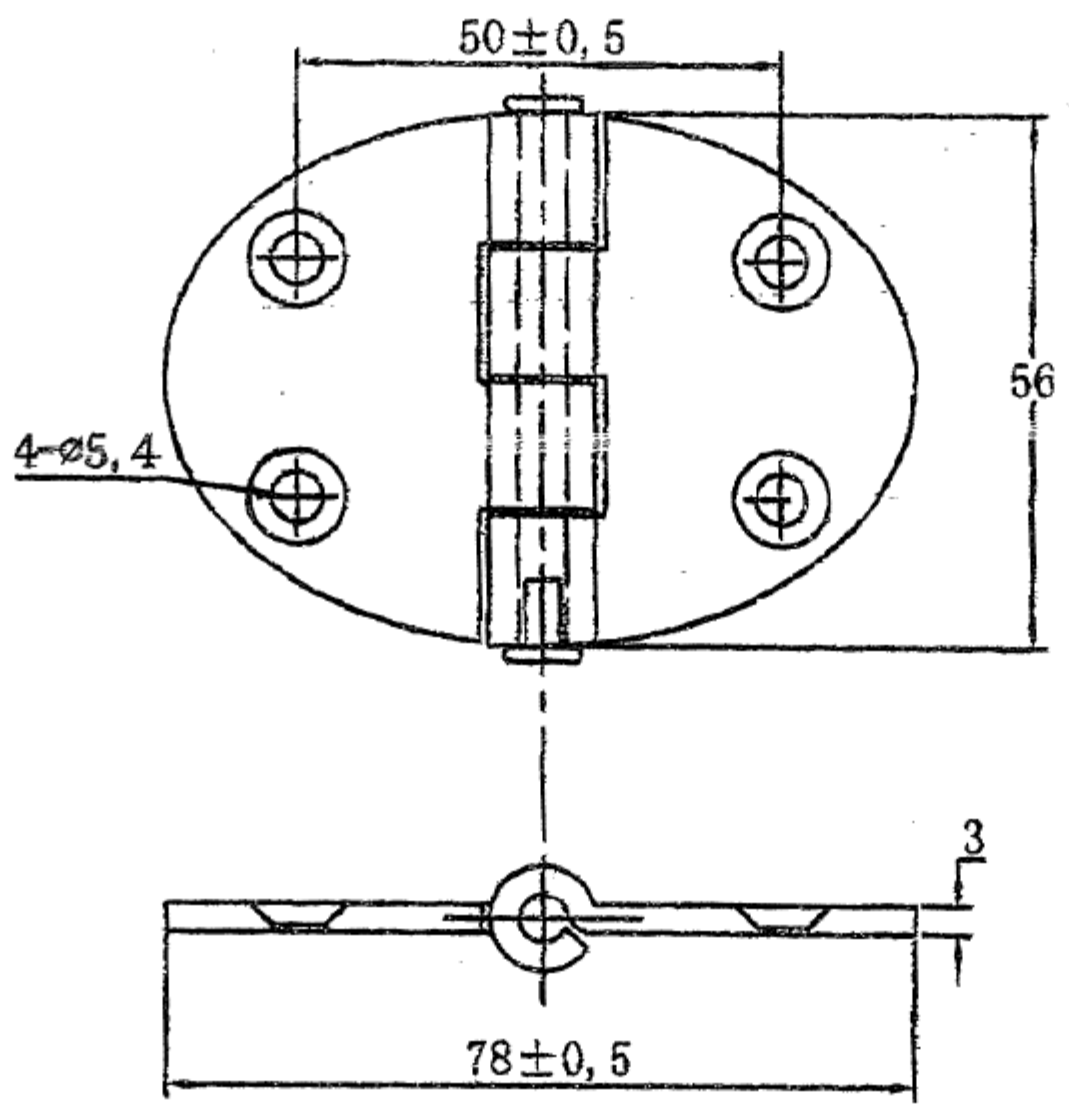


Revision History		
Rev	Description of change	Effective Date



	Do not scale drawing	Tolerance:		Date			
		ISO 2768-m		13/03/2008	Art No:	38.450.53	
		Unless		13/09/2008	Drawing No:	38.450.53	Scale : 1:1
		Otherwise			Description:	Hinge	Sheet: 1 of 1
Specified	Unit : mm	Material : AISI 316	Finishing : Mirror Polished		Rev: 0		