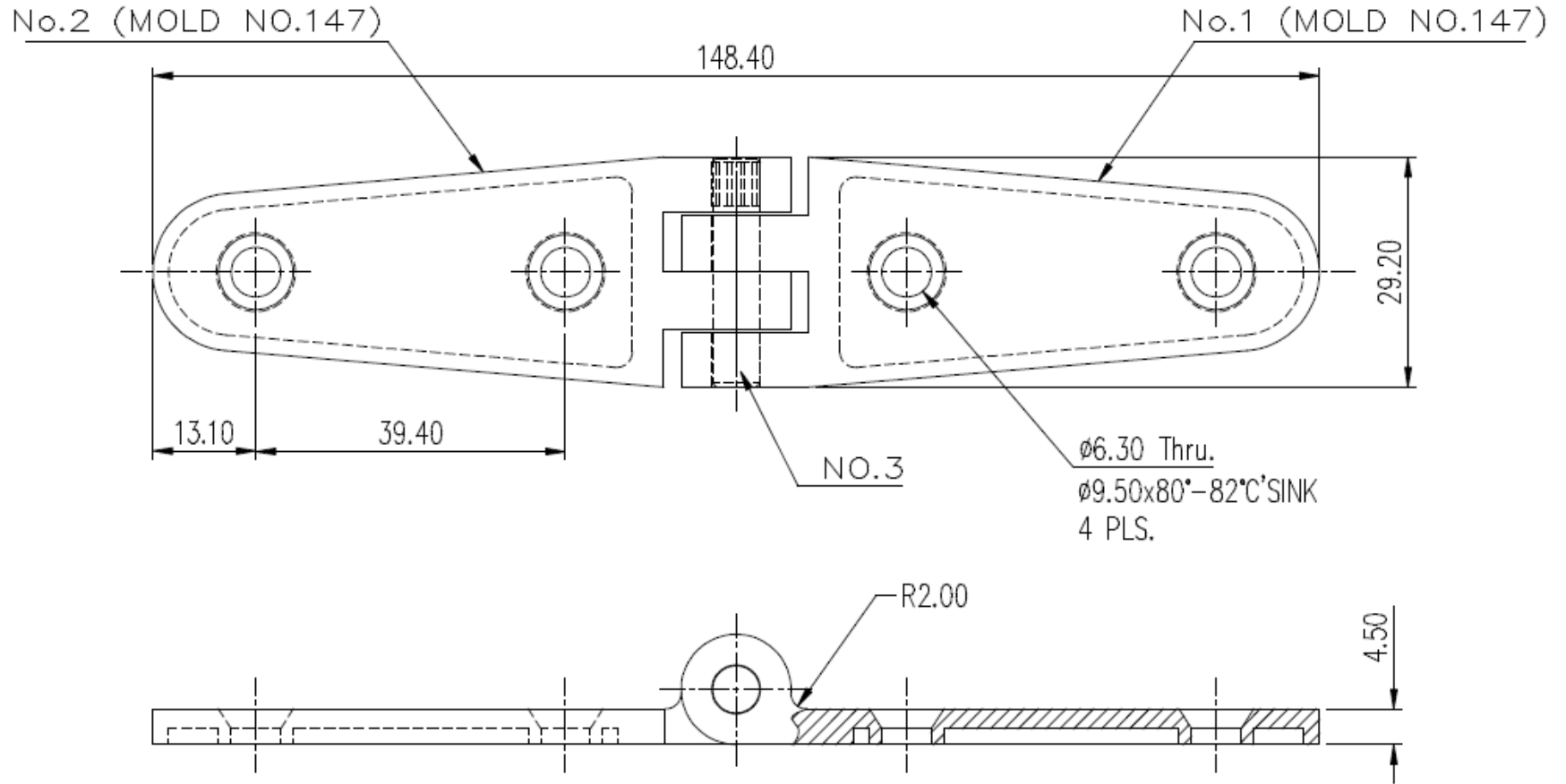


REV.	DESCRIPTION	DATE	DWG. BY	DATE	CHECK BY
A	REDRAW	18 AUG 00	KANOKPHUN		
A.1	ADD MOLD NO.	17 MAR 04	AEKAMAL		



NOTE :

1. BREAK ALL SHARP EDGES
2. POLISH FINISH

ITEM	DWG NO.	TITLE	MATERIAL	QUANTITY
1	86026-01	STRAP HINGE	316	1
2	86026-02	STARP HINGE	316	1
3	A41000629	PIN	304	1

DRAWING BY : KANOKPHUN		TITLE : 38.830.15			
DATE : 18 AUG 2000		CUSTOMER :			
CHECKED BY :		REV. A.1			
DATE :		MOLD No.		MATERIAL	
APPROVED BY :		DWG No. :		WEIGHT	
DATE :		SHEET 4 OF 4			
SCALE : NTS.					

TOLERANCE	
∅ 0.X	± 0.26
∅ 0.XX	± 0.13
∅ 0.XXX	± 0.00
∅ ANGULAR	± 0°30'