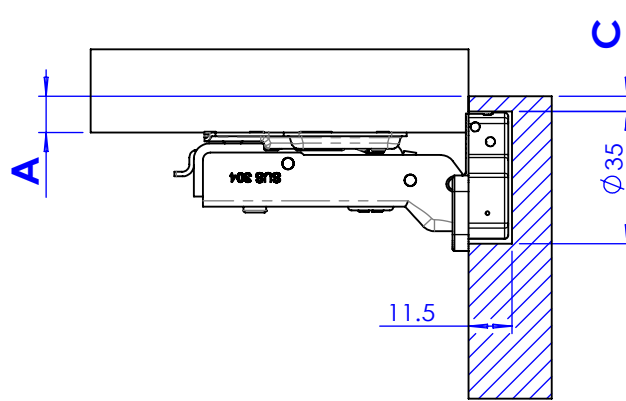
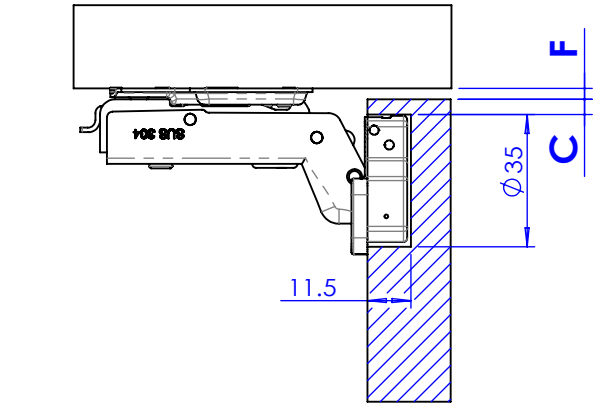


38.526.01



38.526.02



38.526.03

Door thickness : 15-32 mm
Opening angle : 98 degrees

	C	3	4	5	6	7
38.526.01	A	17.5	18.5	19.5	20.5	21.5
38.526.02	A	9.5	10.5	11.5	12.5	13.5
38.526.03	F	4	3	2	1	0