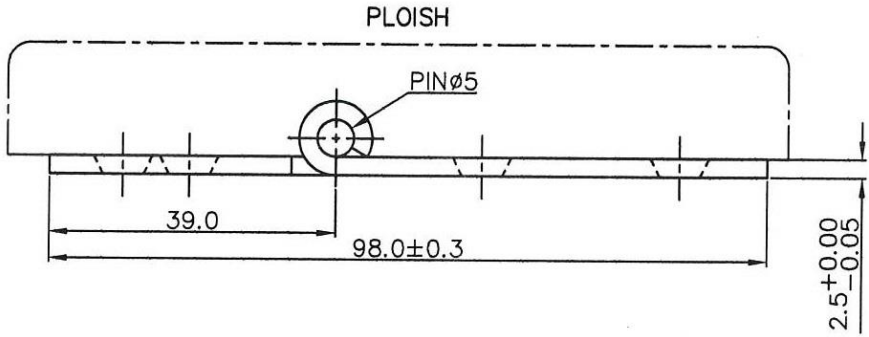
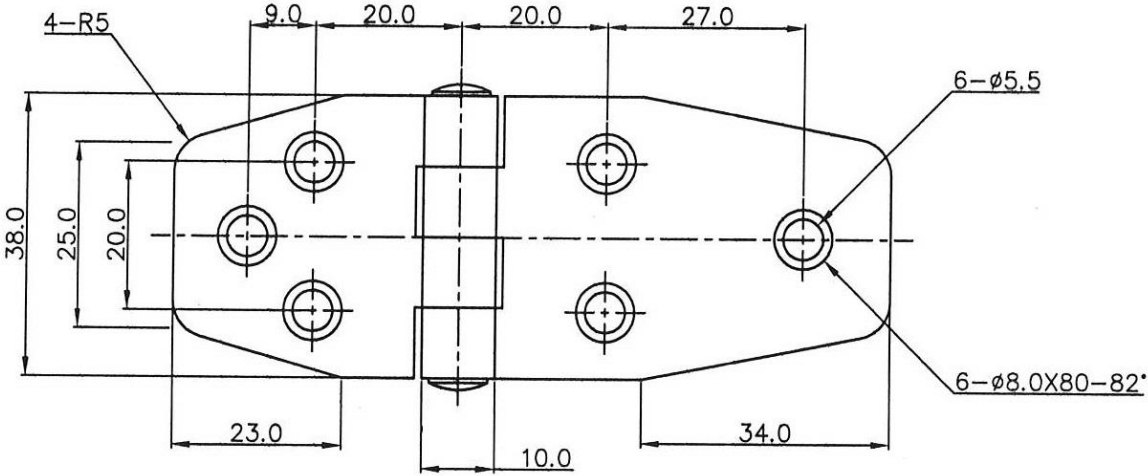


Hinge

Technical drawing
38.840.53



TOLERANCE	
MM.	
0.0	\pm 0.13
0.00	-