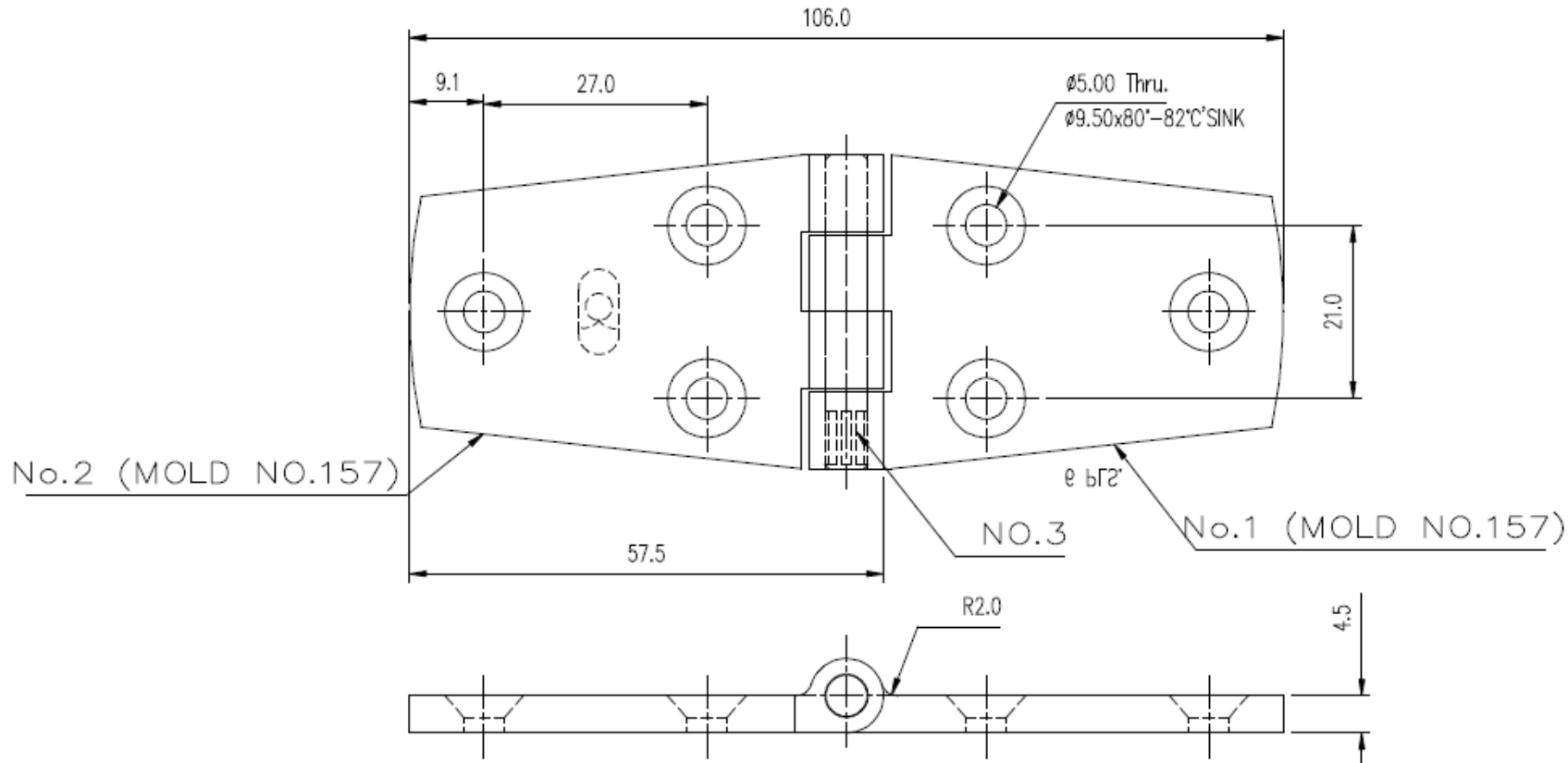


REV.	DESCRIPTION	DATE	DWG. BY	DATE	CHECK BY
A1	ADD MOLD No.	17 MAR 2004	ADAMAL		
A2	MODIFY DRAWING	22 DEC 2000	Setwat D.		
A3	MODIFY LOGO FOLLOW PRODUCT	05 AUG 2000	Setwat D.		



NOTE :

1. BREAK ALL SHARP EDGES.
2. POLISH FINISH

No.	DWG NO.	TITLE	MATERIAL	QUANTITY
1	86029-01	DOOR HINGE	316	1
2	86029-02	DOOR HINGE	316	1
3	A41000538	PIN	304	1

TOLERANCE	DATE :
☒ 0.X ± 0.26	APPROVED BY :
☒ 0.XX ± 0.13	DATE :
☒ 0.XXX ± 0.00	SCALE : N.T.S.
☒ ANGULAR ± 0'30"	

DRAWING BY : KANOKPHUN		TITLE :			
DATE : 21 AUG 2000		DOOR HINGE			
CHECKED BY :		CUSTOMER :			
DATE :					
APPROVED BY :		REVISION	MOLD No.	MATERIAL	WEIGHT
DATE :		A.3			
SCALE :		DWG. No. :			SHEET
		86029			1 : 1