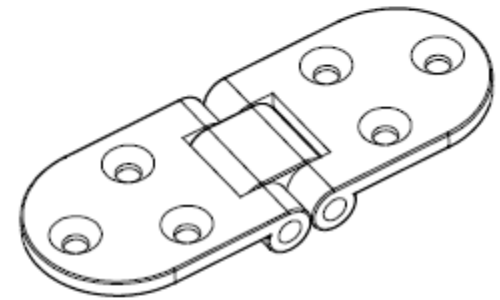
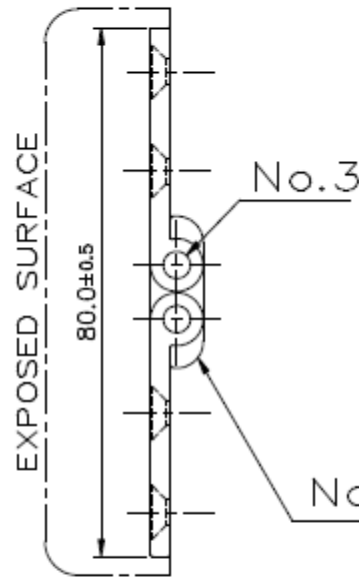
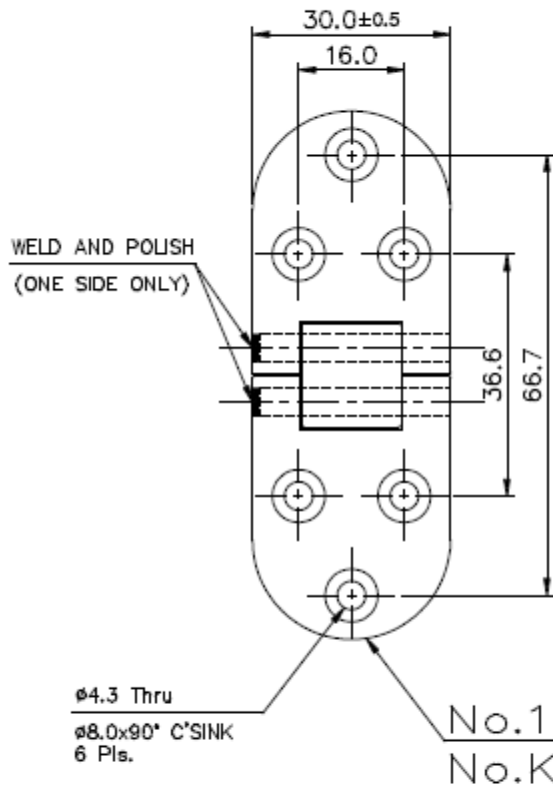


REV.	DESCRIPTION	DATE	DWG. BY
A.0	REDRAW	23 DEC 2011	PHITSAMU K.



NOTE:

1. BREAK ALL SHARP EDGES
2. POLISH ON EXPOSED SURFACE

No.	TITLE	MATERIAL	QUANTITY
1	HING	316	2
2	MIDDLE PART	316	1
3	PIN(ø4.0x30.0L)	304	2

DRAWING BY :		TITLE :		
DATE :		CUSTOMER :		
TOLERANCE	CHECKED BY :	REVISION	MOLD No.	MATERIAL
☑ 0 ±	DATE :	A.0		
☑ 0.X ± 0.25	APPROVED BY :	DWG. No. :		REF. No. :
☑ 0.XX ± 0.13	DATE :			
☑ 0.XXX ± 0.05	SCALE : N.T.S.			
☑ ANGULAR ± 0°30'				