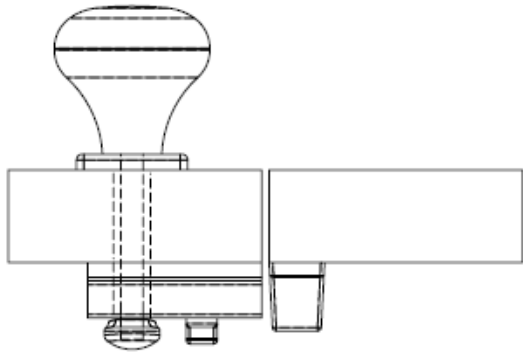
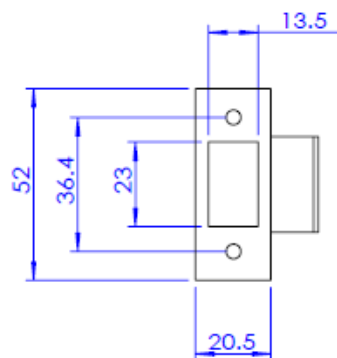


Box Strike (or Flush Strike)

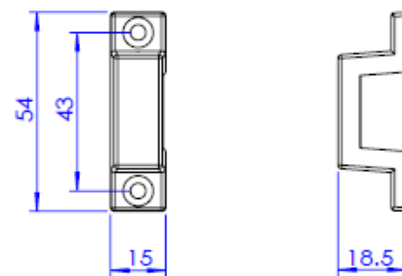


DIMENSIONS ARE IN MM		NAME	DATE	REV.
	DRAWN			
	CHECKED			MATERIAL :
	A4 SCALE 1:2	PART NO. / DWG NAME		
DO NOT SCALE DRAWING	列印日期: 2017/1/11			

Flush Strike



Box Strike



DIMENSIONS ARE IN MM		NAME	DATE	REV.
	DRAWN			
TOLERANCES: ± 1	CHECKED			MATERIAL :
ONE PLACE DECIMAL ± 0.5	A4 SCALE 1:2	PART NO. / DWG NAME		
DO NOT SCALE DRAWING	列印日期: 2017/1/11	Strike		