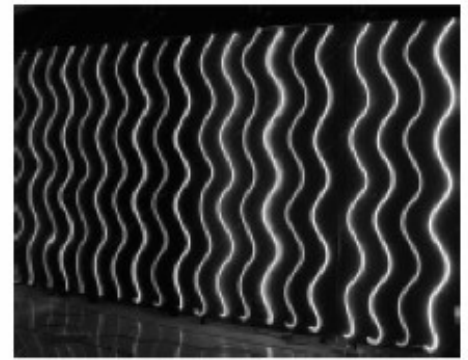


## SPECIFICATION

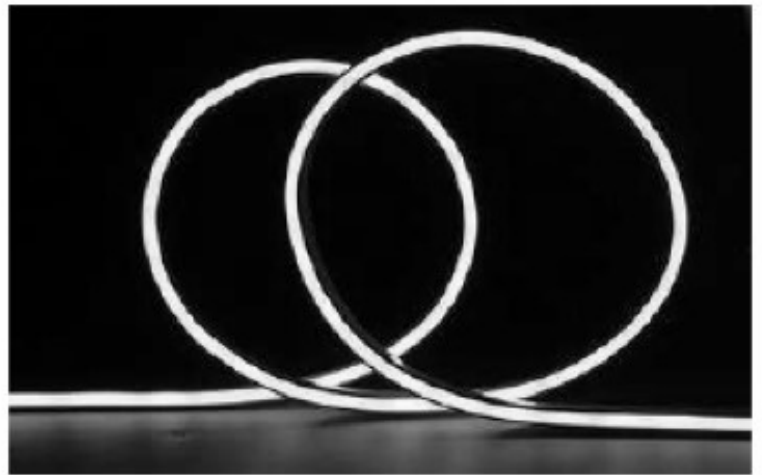
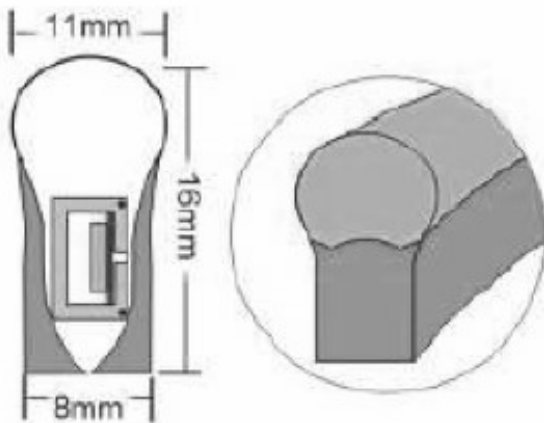
- ‡Flexible PCB w/SMD LED strip with PVC tube.
- ‡50cm/60LEDs per unit , cuttable every unit.
- ‡Low voltage DC12V or DC24V safe and reliable.
- ‡Suitable for vehicle/bus/boat indoor or outdoor applications.



### (A) Electronics and Optical Characteristics: Ta=25°C

Item No.	Voltage (DC)	LED Color (Color Temp.)	Light Length	LEDs Per 2Meter	Power Per 2Meter (W)max.	Luminous Per 2Meter (lum)	Beam Angle Unit: deg	Water Proof (IP)
(13.701.12)	12V	Warm White (2700-3300K)	2 Meter	240	20W	380 Lm	120	67
(13.701.24)	24V	Warm White (2700-3300K)	2 Meter	240	20W	380 Lm	120	67

**Figure:**



### (B) Absolute Maximum Ratings at Ta=25°C

Operating Temperature Range	-30°C to +60°C
Storage Temperature Range	-40°C to +100°C
Lead Solder Temperature 1.6mm Below Package 260°C for 5 seconds	