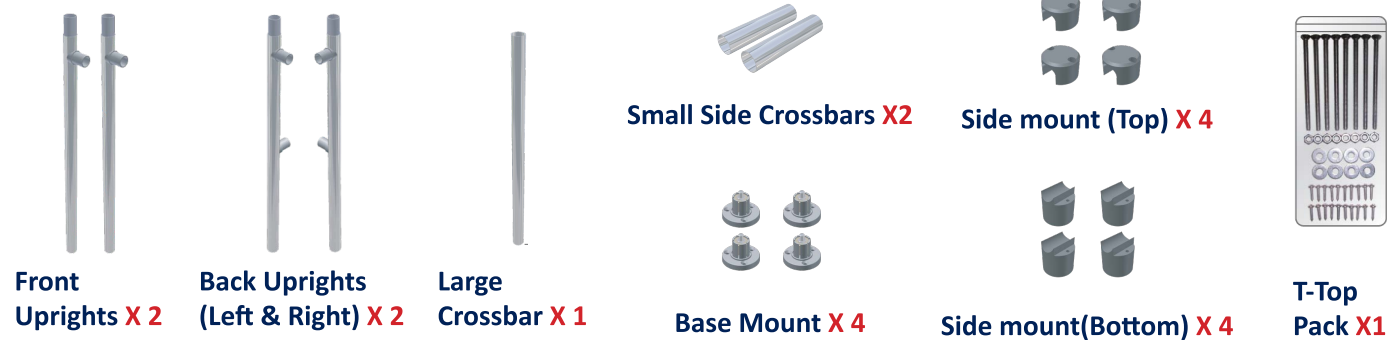


## COMPONENTS (INCLUDED IN BOX)

### CANOPY SECTION COMPONENTS



### BASE SECTION COMPONENTS



## ASSEMBLY INSTRUCTIONS

### 1. ASSEMBLING THE CANOPY SECTION

**A.** Slide the 'T' and 'J' joiners onto separate support poles, spacing the joiners evenly as shown.



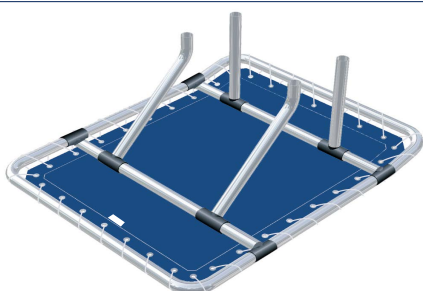
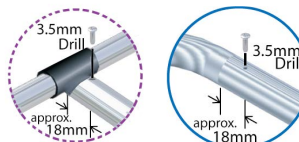
**B.** Insert side frames into the support poles. The support pole housing the 'T' joiners should be closest to the side frame bend.



**C.** Insert the U frames onto the ends of both side frames.



**D.** Drill and fasten the CANOPY SECTION frame at the points indicated, using the illustrations as a guide.



**E.** Lay out the canopy fabric topside down and place the inverted frame over it. Lace nylon cord through the eyelets and frames, Ensure its evenly threaded and tight.

## 2. ASSEMBLING THE BASE SECTION

A. Join the **front** and **back uprights** using the **small side crossbar** to form two “H frames”.



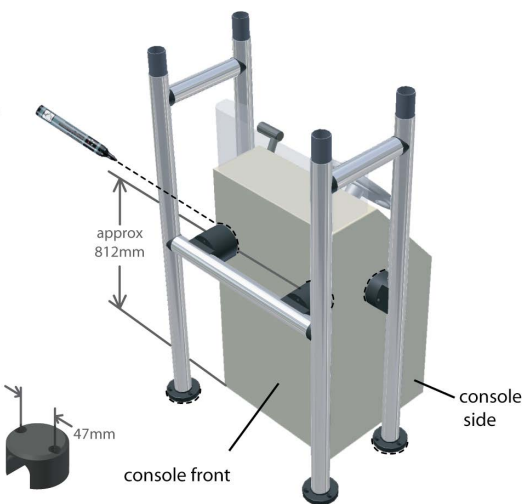
B. Connect the two “H Frames” using the **large cross bar**. The connector must be cut to the width of your console + 95mm.



C. Attach the **base mounts** to the frame.

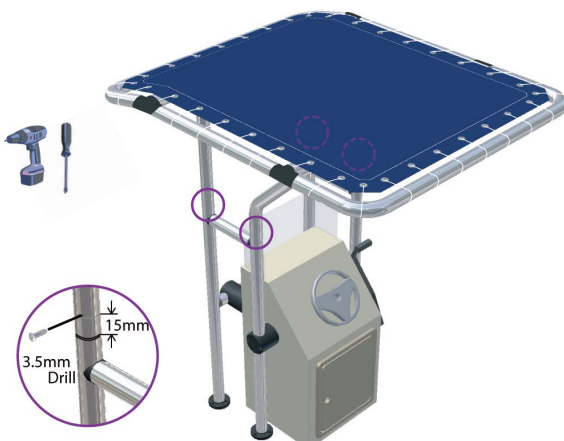
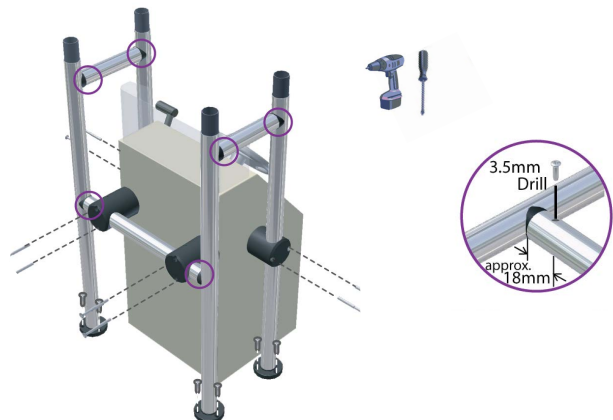
## 3. MOUNTING THE BASE SECTION

A. Mark the locations where you will fit the mounts on the front of your console (Placing them as far apart as possible). Mark the console **side mounts** position (as high as possible).



B. Mark and drill positions for all **side mounts**.

- Attach mounts loosely, using 1/4" screws (Supplied) to hold frame in place while fastening **base mounts** into position.
- Drill through base mounts to secure **BASE SECTION** to boat floor (Screws not supplied)
- To finish assembly of **BASE SECTION** tighten all **side mounts** and secure **crossbars** using self tapping screws (supplied) (As shown in the diagram).



C. Attach the **CANOPY SECTION** to the **BASE SECTION**. Secure permanently using self tapping screws (supplied) (As shown in the diagram)