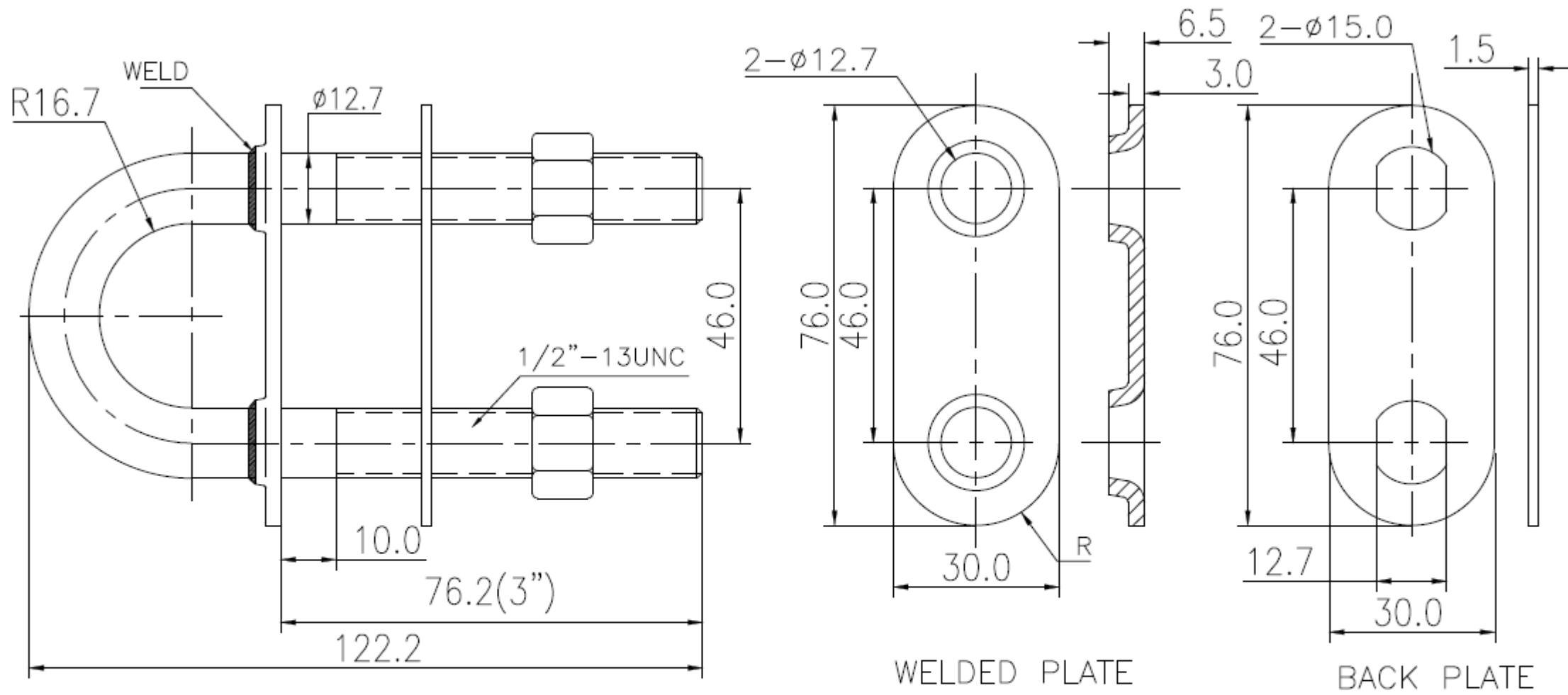


REVISIONS				
ZONE	LTR	DESCRIPTION	DATE	APPROVED



SUS304 P/N:3912705