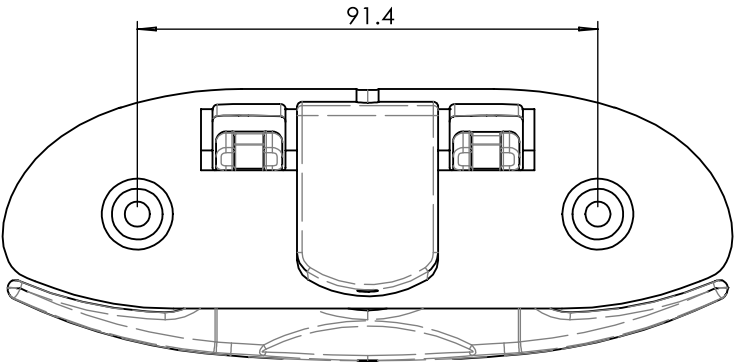
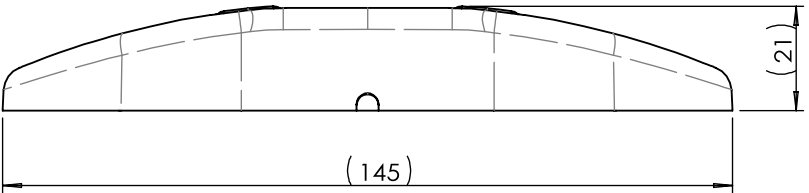
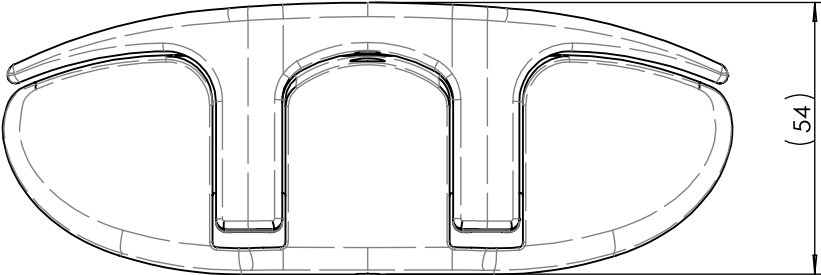


REVISIONS				
REV.	DESCRIPTION	BY	DATE	APPD



DIMENSIONS ARE IN MM		NAME		DATE	
TOLERANCES : ± 1,0		DRAWN		PART NO.	
ONE PLACE DECIMAL : ± 0,5		CHECKED		REV.	
SIZE	DO NOT SCALE DRAWING	A4 SCALE 1:1.5		MATERIAL :	
A4				DWG NAME :	