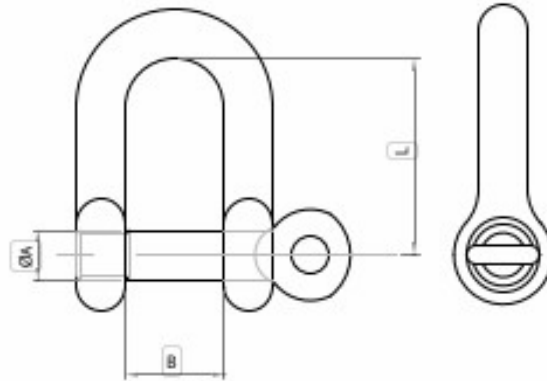


PRODUCT DATA SHEET



SIZE	ØA (mm)	ØA (inch)	B (mm)	B (inch)	L (mm)	L (inch)	Unit weight (kgs)	Unit weight (lb)	B.L (kgs)	B.L (lb)
4	4	0.16	8	0.31	16	0.63	0.01	0.02	550	1,210
5	5	0.20	10	0.39	20	0.79	0.01	0.02	1,000	2,200
6	6	0.24	12	0.47	24	0.94	0.02	0.04	1,700	3,740
7	7	0.28	14	0.55	28	1.10	0.04	0.09	2,000	4,400
8	8	0.31	16	0.63	32	1.26	0.06	0.13	2,800	6,160
9	9	0.35	18	0.71	36	1.42	0.08	0.18	3,500	7,700
10	10	0.39	20	0.79	40	1.57	0.11	0.24	4,500	9,900

TECHNICAL DATA

Casting material : AISI304 - DIN 1.4308/ AISI316 - DIN 1.4408

Forging material : AISI304 - DIN 1.4301/AISI316 - DIN 1.4401

Production : S360 - Shackle - Cast
Pin - Forged

Surface treatment : "E.P." (Electro polished)

**100%
RECYCLABLE**

