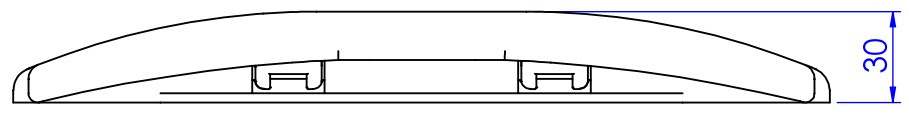
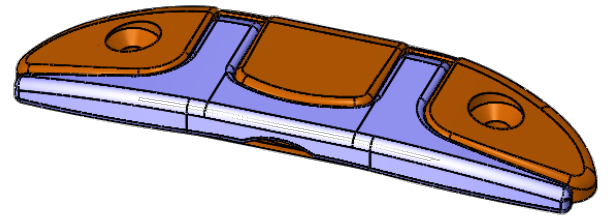
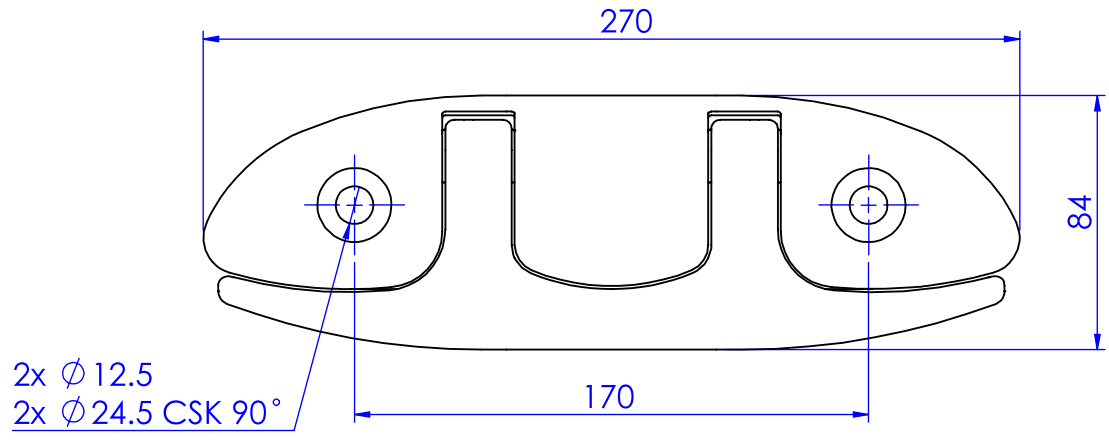


REVISIONS			
REV.	DESCRIPTION	BY	DATE
A	Initial release		



DIMENSIONS ARE IN MM			NAME	DATE	PART NO.	REV.
TOLERANCES : \pm 2.5 ONE PLACE DECIMAL : \pm 1.0			DRAWN	Mona		
SIZE	DO NOT SCALE DRAWING	A4	SCALE 1:5	MATERIAL :		
A4				DWG NAME :		