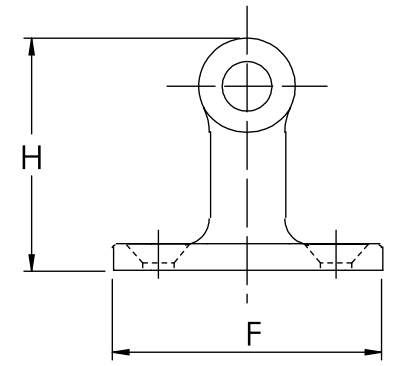
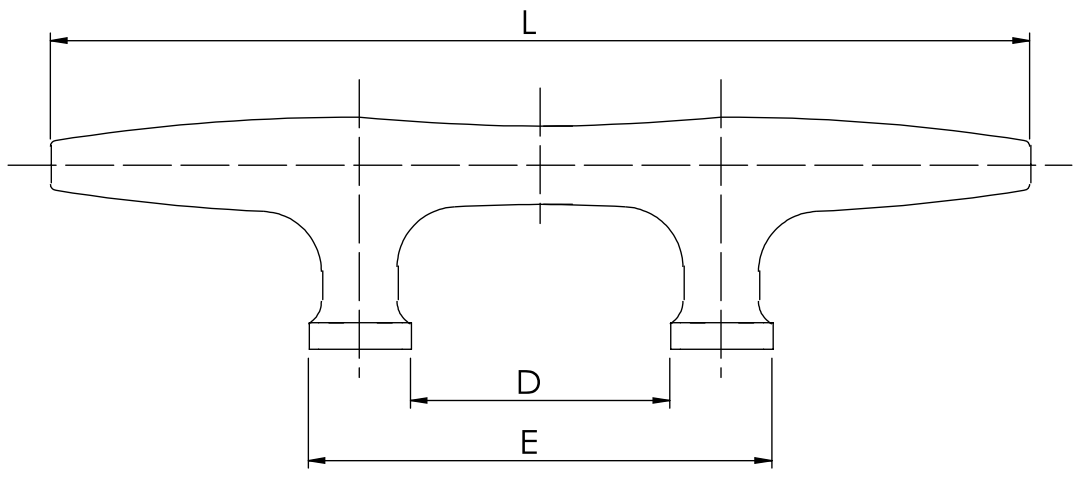
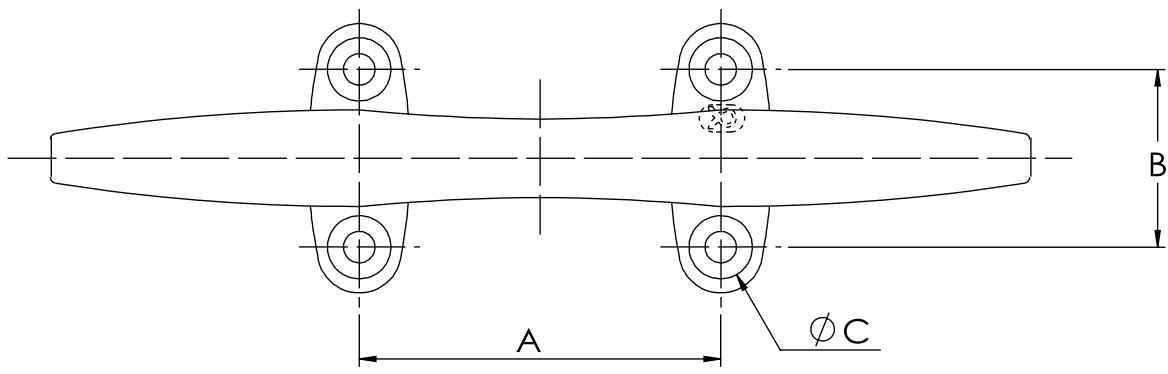


REV.	DESCRIPTION	DATE	DWG. BY



Part No.	A	B	$\phi C$	D	E	F	L	H
40.134.20	84.4	45.0	$\phi 6.8 \times \phi 13.0 \times 82^\circ$ CSK	58.4	110.4	65.5	203	51.9
40.134.25	95.6	47.0	$\phi 8.3 \times \phi 16.8 \times 82^\circ$ CSK	68.6	122.6	71.2	259	61.8
40.134.30	122.5	63.9	$\phi 8.3 \times \phi 16.8 \times 82^\circ$ CSK	90.7	154.3	89.7	307	69.5
40.134.38	123.5	65.2	$\phi 13.0 \times \phi 22.2 \times 82^\circ$ CSK	90.2	156.8	98.4	378	96.0

DRAWING BY :		TITLE : HEAVY DUTY HOLLOW BASE CLEATS		
DATE :		CUSTOMER :		
CHECKED BY :		REVISION	MOLD No.	MATERIAL
DATE :		A.X	XX-000	316/304
APPROVED BY :		DWG. No. :		
DATE :		SCALE : N.T.S.		
TOLERANCE				
<input checked="" type="checkbox"/> 0	$\pm 1.25$			
<input checked="" type="checkbox"/> 0.X	$\pm 0.75$			
<input checked="" type="checkbox"/> 0.XX	$\pm 0.50$			
<input checked="" type="checkbox"/> 0.XXX	$\pm 0.25$			
<input checked="" type="checkbox"/> ANGULAR	$\pm 3'$			