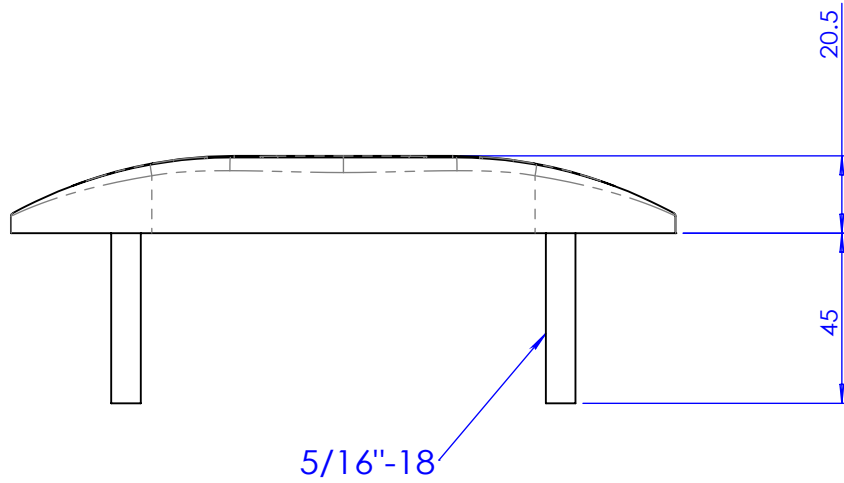
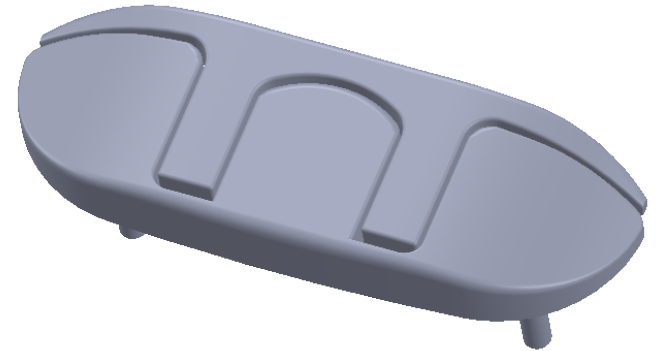
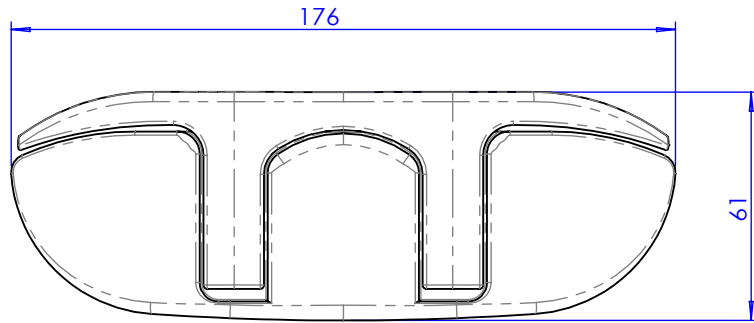


REVISIONS				
REV.	DESCRIPTION	BY	DATE	APPD.



DIMENSIONS ARE IN MM TOLERANCES: ± 1 ONE PLACE DECIMAL ± 0.5		NAME	DATE	REV.
	DRAWN			
DO NOT SCALE DRAWING	A4 SCALE 1:2	PART NO. / DWG NAME		MATERIAL :
		40.142.02		