

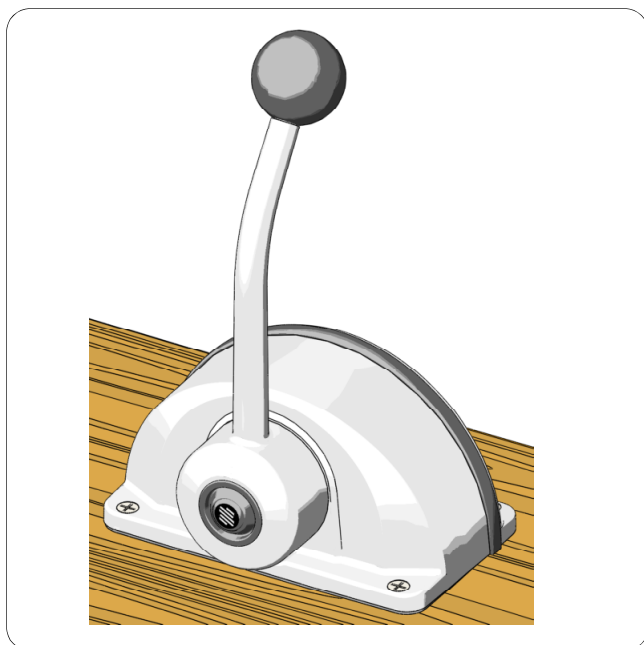
Installation and maintenance manual

SINGLE LEVER CONTROL

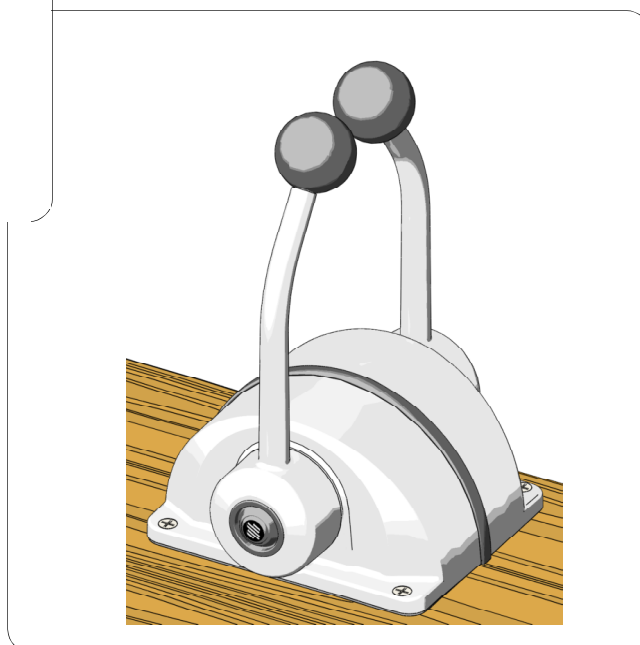
ENGLISH

ITALIANO

FRANÇAIS



B 301



B 302

CE



ULTRAFLEX



PARTNER

MEMBER
ABYC
Setting Standards for Safer Boating®



UK
page. 2

I
pag. 17

F
page. 33

Dear Customer,

We would like to thank you for choosing an **ULTRAFLEX** product.

ULTRAFLEX has been a leader in steering systems for pleasure and professional boats for many years. **ULTRAFLEX** production is since ever synonymous of reliability and safety.

All **ULTRAFLEX** products are designed and manufactured to ensure the best performance. To ensure your safety and to maintain a high quality level, **ULTRAFLEX** products are guaranteed only if they are used with original spare parts.

ULTRAFLEX and **UFLEX** Quality Management Systems are certified CISQ-IQNet by the Italian Shipping Registry (RINA), in conformity with the UNI EN ISO 9001:2008 rule. **ULTRAFLEX** certification No. 6669/02/S (former 420/96). **UFLEX** certification No. 8875/03/S.

The quality management system involves all the company resources and processes starting from the design, in order to:

- ensure product quality to the customer;
- maintain and improve the quality standards constantly;
- pursue a continuous process improvement to meet the market needs and to increase the customer satisfaction

ULTRAFLEX Environmental Management System is certified CISQ-IQNet by the Italian Shipping Registry (RINA), in conformity with the UNI EN ISO 14001 rule. **ULTRAFLEX** certification No. EMS-1282/S.

Products for pleasure boats are constantly tested to check their conformity with the 2013/53/EU.



"**ULTRAFLEX** has over 80 years of experience in the marine industry and is a world leader in the production of mechanical, hydraulic and electronic steering systems, control boxes and steering wheels for any kind of pleasure, fishing or commercial boats.

The key factors which explain the increasing success of our products all over the world are the reliability of our products and the before and after sale service, the quality of the company organization and of the human resources and the continuous spending in research and development".

TABLE OF CONTENTS 

USE OF THIS MANUAL AND SYMBOLS4
 INTRODUCTION.....5
 WARRANTY.....5

SECTION 1 - PRODUCT DESCRIPTION 

1.1 PRODUCT DESCRIPTION AND RECOMMENDATIONS FOR USE.....6
 1.2 DIMENSIONS.....6

SECTION 2 - TRANSPORT 

2.1 GENERAL WARNINGS.....7
 2.2 PACKAGE CONTENTS.....7

SECTION 3 - INSTALLATION 

3.1 TOOLS REQUIRED.....8
 3.2 CONTROL BOX INSTALLATION.....8
 3.3 ADJUSTMENT OF THE LEVER INCLINATION.....8
 3.4 CONNECTING CONTROL CABLE.....9
 3.5 INSTALLATION OF CABLES C14 AND MACH 14.....9
 3.5.1 SHIFT CABLE CONNECTION.....9
 3.5.2 THROTTLE CABLE CONNECTION.....11
 3.6 ADJUSTING THE CLUTCH.....12
 3.7 LEVER CONTROL BOX MOUNTING.....12
 3.8 INSTALLATION OF THE NEUTRAL SAFETY SWITCH.....13

SECTION 4 - LEVER USE 

4.1 LEVER USE.....14

SECTION 5 - SAFETY WARNINGS 

5.1 SAFETY RULES DURING INSTALLATION AND USE.....14
 5.2 CLOTHING.....14

SECTION 6 - MAINTENANCE 

6.1 ORDINARY MAINTENANCE.....15
 6.2 SPECIAL MAINTENANCE.....15

SECTION 7 - DISMANTLING 

7.1 DISMANTLING.....15

IMPORTANT:


The additional documents "Application Guide" and "Spare Parts List" are attached to this manual.


USE OF THIS MANUAL AND SYMBOLS


THE INSTALLATION AND MAINTENANCE MANUAL is the document accompanying the product from sale to replacement and disposal, and should be considered an integral part of the product.

Read the manual before undertaking ANY ACTIVITY involving the product, including movement and unloading from the vehicle on which it is delivered.


In order to protect the user's safety and guarantee correct functioning of the product, this manual uses the symbols described below.

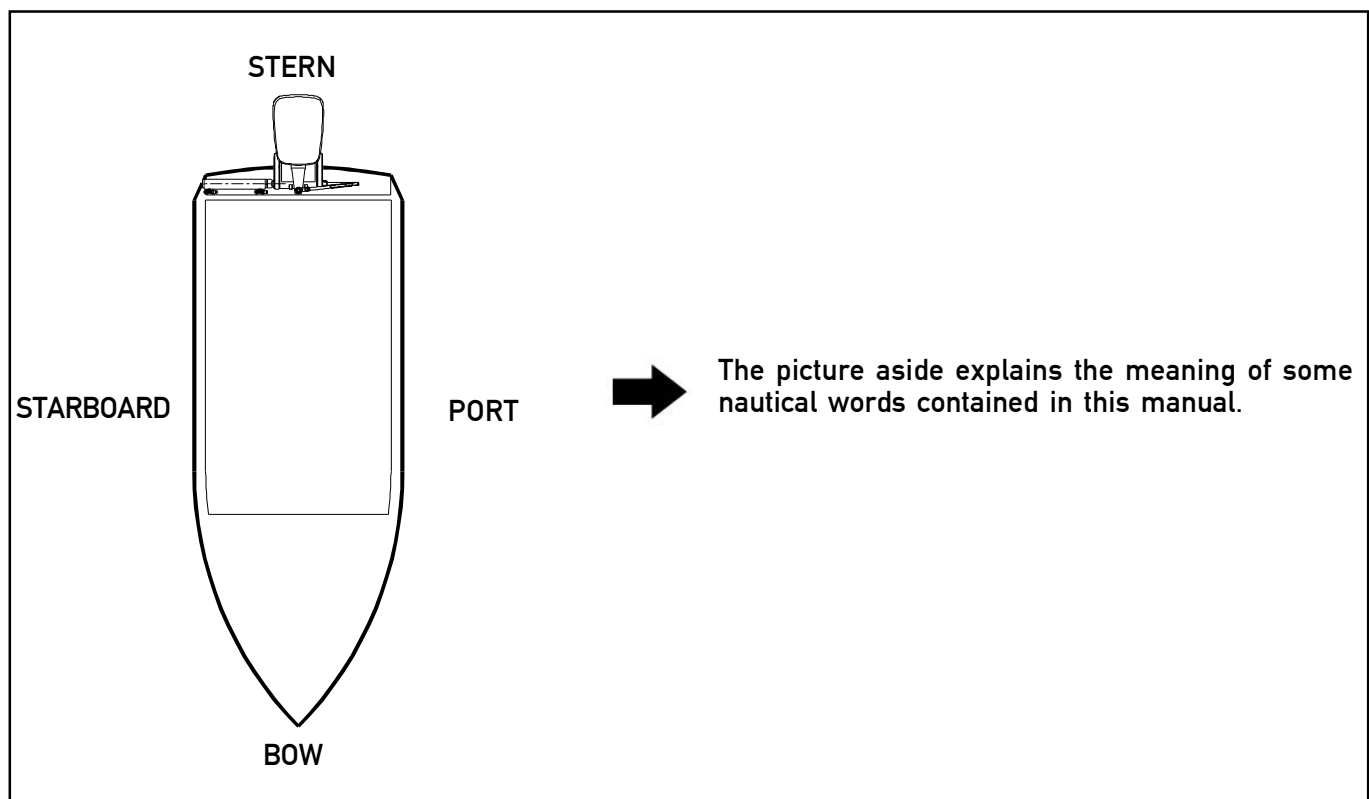
 **DANGER** → Immediate hazards which CAUSE severe personal injury or death.

 **WARNING** → Denotes that a hazard exists which can result in injury or death if proper precautions are not taken.

 **CAUTION** → Denotes a reminder of safety practices or directs attention to unsafe practices which could result in personal injury or damage to the craft or components or to the environment.

NOTICE → Important information for the correct installation and for maintenance, that does not cause any damage.

 → Operations which should be performed by qualified or specialized personnel to avoid risks are identified by the symbol shown here. Provide the personnel who will be installing the product with appropriate training and make sure that they understand and implement the instructions provided.



The diagram shows a top-down view of a boat hull. The top is labeled 'STERN', the bottom is 'BOW', the left side is 'STARBOARD', and the right side is 'PORT'. An arrow points from the diagram to the text: 'The picture aside explains the meaning of some nautical words contained in this manual.'



INTRODUCTION

This installation and maintenance manual constitutes an integral part of the product and must be made easily accessible for personnel using the product and performing maintenance work on it.

The user must know the content of this manual.

ULTRAFLEX shall not be held liable for any inaccuracies due to printing errors in the manual.

Without altering the basic features of the product described **ULTRAFLEX** reserves the right to make any changes to descriptions, details and illustrations that it may consider appropriate for its improvement or for manufacturing or commercial reasons at any time, without being required to update this publication immediately.

ALL RIGHTS RESERVED. Rights to publication, trademarks, logos and photographs of **ULTRAFLEX** products present in this manual are the property of **ULTRAFLEX** and may not be reproduced in full or in part. Great care has been taken to collect and verify documentation to make this manual as complete and easy to understand as possible. None of the information obtained in this publication may be interpreted as a guarantee or an express or implicit condition- including but not limited to, the guarantee of suitability for a particular purpose. None of the information contained in this publication may be interpreted as a change to or assertion of the terms of any contract of purchase.

WARNING

The product must be installed by experienced personnel to ensure correct functioning of the product and its components. In the event of breakage of the components or malfunctioning, contact specialized personnel or our Technical Assistance Service.

TECHNICAL ASSISTANCE SERVICE

UFLEX S.r.l.

Via Milite Ignoto.8A
16012 Busalla (GE)-Italia
Tel: +39.010.962.01
Fax: +39.010.962.0333
Email: service@ultraflexgroup.it
www.ultraflexgroup.it

North - South - Central America:

UFLEX USA

6442 Parkland Drive
Sarasota, FL 34243
Tel: +1.941.351.2628
Fax: +1.941.360.9171
Email: sales@uflexusa.com
www.uflexusa.com

WARRANTY

ULTRAFLEX warrants that its products are built according to the standards of good workmanship and are free of defects in materials and workmanship.

This warranty is valid for two years starting on the date of manufacture with the exception of cases in which products are installed and used on working vessels or on vessels commercial use, in which case the guarantee is limited to 1 year from the date of manufacture.

This warranty is limited to free replacement or repair of the item, which must be returned carriage paid, provided we find it to be effectively defective in materials and/or workmanship.

The warranty does not cover any direct or indirect damages. The warranty specifically does not cover, and we shall not be liable for (except for replacement or repair of defective items under the terms and conditions set forth above), malfunctioning of our products if their failure or poor functioning is attributable to incorrect installation or to negligent or improper use.

This warranty does not cover products installed on racing boats or used in a competitive context. The descriptions and illustrations in this manual are indicative only.

Please contact our Assistance Service for more detailed information.

The components of **ULTRAFLEX** steering and control systems with EC marked components. (See Art. 3 and Art. 5 of directive 94/25/EC.) Note that the **ULTRAFLEX** warranty shall be automatically forfeited if any **ULTRAFLEX** components are installed in a steering and control system along with products of other brands.



1 PRODUCT DESCRIPTION

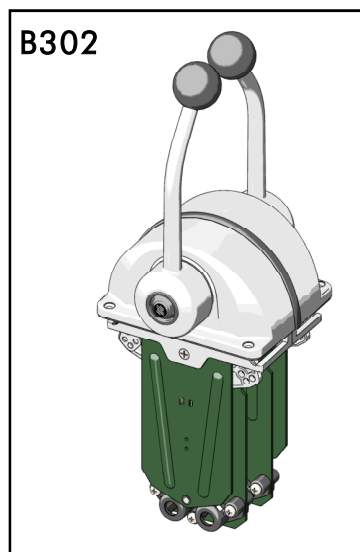
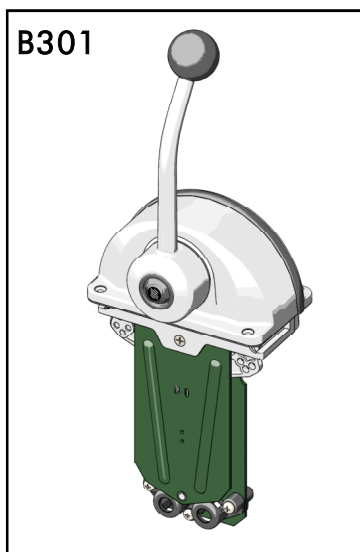
1.1 Product description and recommendations for use

ENGLISH

The B301 single engine and the B302 dual engine controls are designed as a single lever dual function per engine. They are specifically designed to operate with outboard, stern drive (I/O) and inboard marine propulsion engines. The controls can operate with all Ultraflex cables except the C4; K59 kit is included with both the controls, necessary to install Ultraflex C2, C8, C0, and Mach 0 cables.

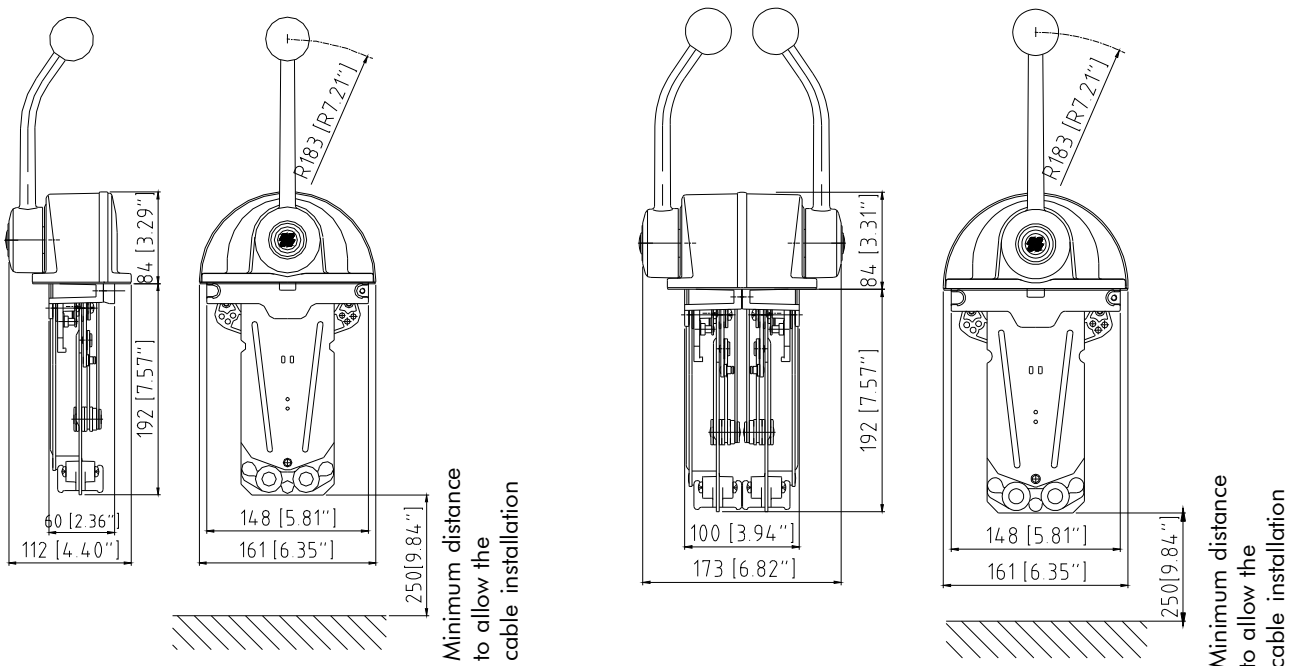
For all the other cables the following kits are available on demand:

- K 60 for cables Ultraflex C5 - C16 - MACH 5;
- K 61 for cables Ultraflex C22;
- K 62 for cables Ultraflex C36 - MACH 36.
- The cables C14 and MACH14 require no installation kit.



1.2 Dimensions

The pictures below show the lever control B301 and B302 dimensions.



2 TRANSPORTATION

2.1 General warnings

The product and its packaging weigh about 2.5kg (5.5 pounds) and can therefore be moved by hand.

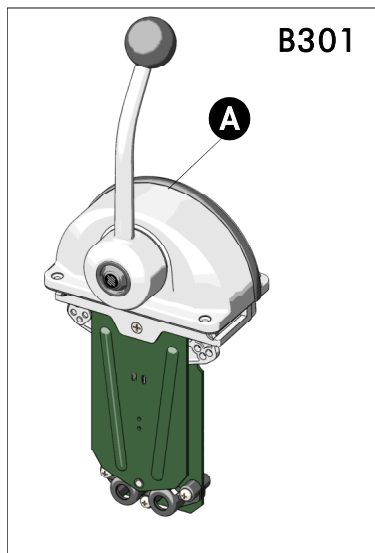
⚠ WARNING

Personnel handling the load must work with safety gloves and footwear.

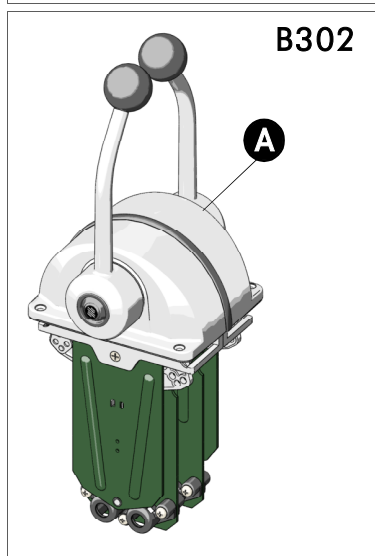
2.2 Package contents

Before using the device, check that it has not suffered damage during transportation or storage. Also check that all the components supplied with it are contained in the package (refer to list). If you identify any damage, notify the carrier and your supplier.

Contents of the lever control packaging:

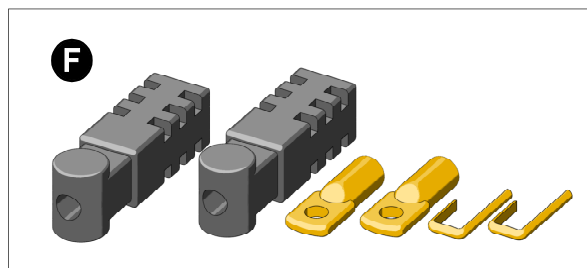
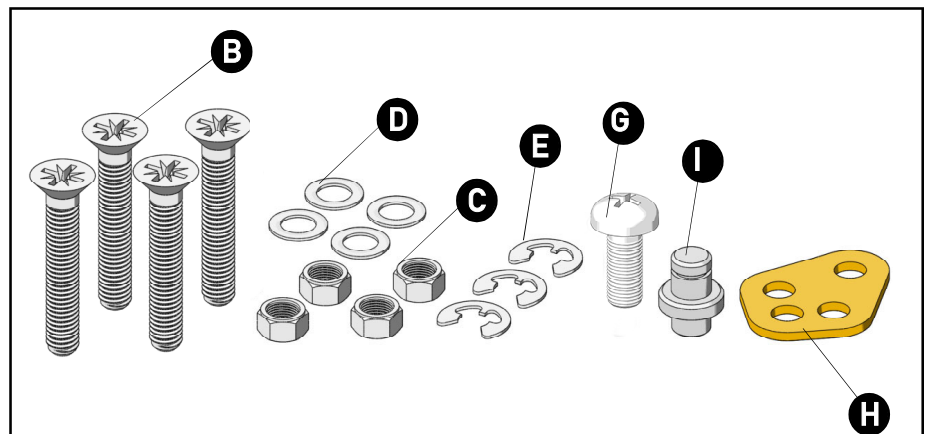


B301



B302

REF	B301	B302
A	1 lever control	1 lever control
B	4 screws M5x35	4 screws M5x35
C	4 nuts M5	4 nuts M5
D	4 washers	4 washers
E	3 snap rings	6 snap rings
F	1 kit K59 for cable installation	2 kits K59 for cable installation
G	1 screw M5x12	2 screws M5x12
H	1 plate	2 plates
I	1 pin	2 pins



⚠ WARNING

Dispose of packaging in accordance with the law.



3 INSTALLATION

3.1 Tools required

ENGLISH



Phillips screwdriver



Pliers



Open end wrench
8mm [0.31"]



Socket wrench
17mm [0.66"]



3.2 Control box installation

1 Install the control in a position that allows the lever to rotate free and take care that it can reach the full forward and full reverse stroke.

2 Refer to the overall dimensions given in paragraph 1.2 to check that the box can effectively be installed in the desired position.

⚠ WARNING

When the cable is installed avoid too narrow bends.

3 After determining the appropriate location, drill the holes required to assemble the control box using the template provided for single or dual control.

For the single and dual control installation refer to the drilling templates enclosed.

NOTICE

Connect the cables to the lever before the lever control to the dashboard.

⚠ CAUTION

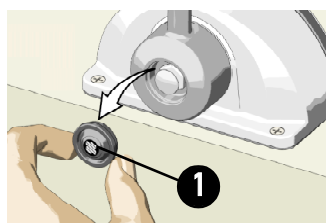
The use of a proper killing switch system is recommended for each ULTRAFLEX control system installation.

3.3 Adjustment of the lever inclination

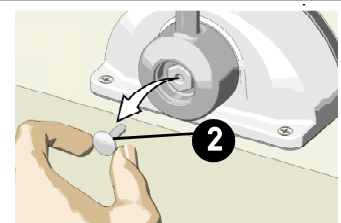


The lever angular position can be adjusted both forward and backward according to the control position. Follow the instructions below:

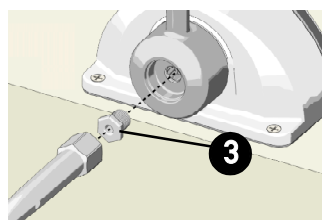
1 Remove the rubber cover from the lever hub (1).



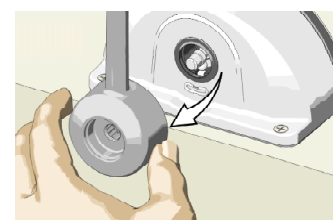
2 Extract the plastic pin (2).



3 Take out the hexagonal head screw (3) with a 17 socket wrench.



4 Extract the lever and turn it to the desired position, then reinsert it by putting into gear with the shaft of the control box.



- 5 Apply threadlocking **low strength** (Loctite 222) on the screw (3) and fasten it completely. Insert the pin on the screw (2). Insert the rubber cover (1).

⚠ WARNING

Make sure the chosen angular position allows the correct stroke of the cable.

3.4 Connecting control cable



- 1 Select a direct path with a minimum number of bends and without any obstacles.

⚠ WARNING

Avoid too narrow bends (the minimum bend radius is 203 mm (8")).

NOTICE

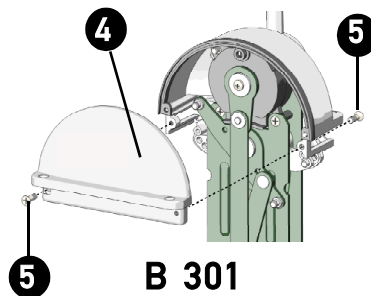
Outboard engine installations require an additional length of about 120 cm (47") of the cables to allow engine swing.

The cables can be fixed with suitable cable hangers (supplied separately) or routed through segments of conduit (supplied separately too) for long straight runs.

⚠ WARNING

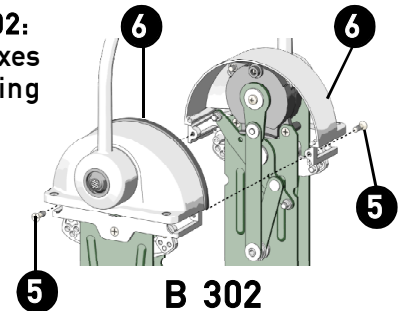
To avoid the control stiffening, do not fix the cables near the control outlet (the minimum fixing distance is 500 mm) and in any case do not use fixing systems that can deform the cable conduit.

- 2 **CONTROL B301:** Remove the rear cover (4) of the control by (unscrewing) the screws (5) so as to reach easily the elements where the cables are to be fixed.



B 301

- CONTROL B302:** Split the two boxes (6), by removing the screws (5).



B 302

- 3 A specific fitting kit is available for each cable type. K59 kit is also included with both single levers B301 and B302.

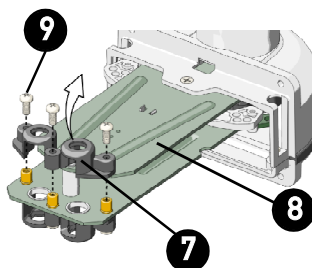
To install the cables on the control/controls follow the instructions provided with each kit.
To install the cables C14 and MACH14 follow the instructions given below.

3.5 Installation of cables C14 and Mach14

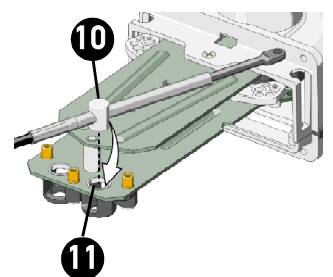


3.5.1 Shift cable connection

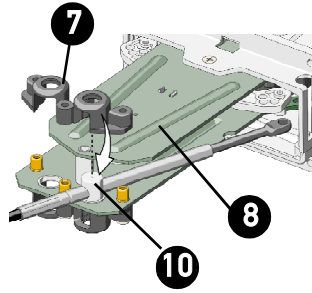
- 1 Position the control box on a plane surface as in the picture (the Ultraflex logo on the lever must be visible). Remove the cable fastener (7) from the plate (8) through the screws (9).



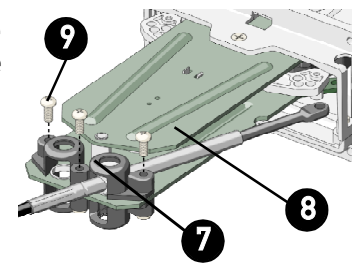
- 2 Mount the cable making sure the cable cylinder (10) is placed inside the plate hole (11).



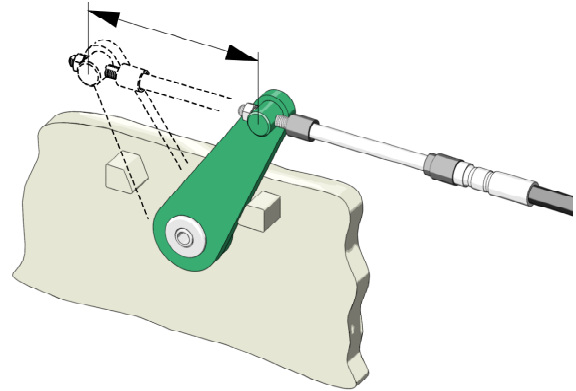
3 Remount the cable fastener (7) on the plate (8) aligning the cylinder of the connector (10) with the hole of the cable fastener.



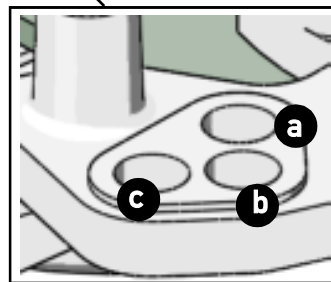
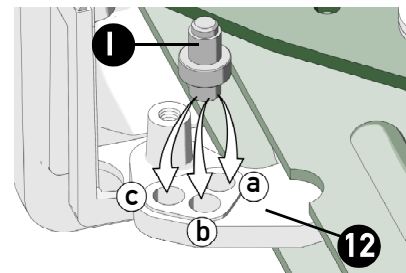
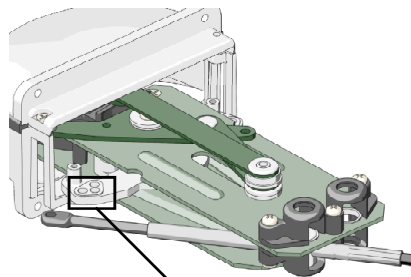
4 Fix the cable fastener (7) to the plate (8) with the screws (9).



5 Measure the engine shift lever stroke from the forward gear to the reverse gear. See the possible strokes on the control device and select the nearest one; for instance, if the stroke on the engine (from one end of stroke to the other) is 67 mm, the cable must be connected to the more internal hole (68 mm stroke). If a stroke of 70 mm is detected, check if the 68 mm stroke is sufficient otherwise connect the cable to the central hole (76 mm stroke); some millimeters (5-6) of surplus stroke on the control device are counterbalanced by the cable play.



6 Turn the control box upside down (internal mechanism looking upward). Put the pin (l) in one of the three holes (a), (b), or (c) of the lever (12).



NOTICE

The hole is chosen according to the stroke of the cable (see the table below).

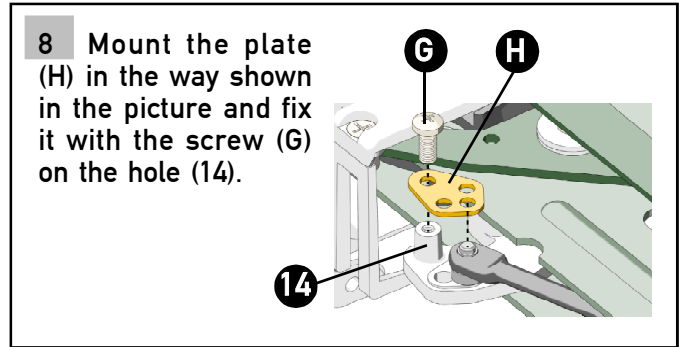
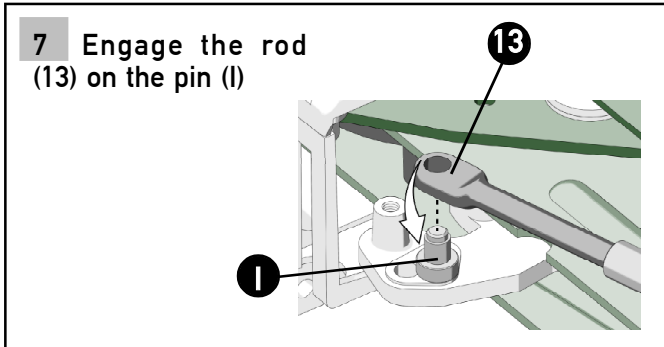
HOLE	a	b	c
STROKE [mm]	68	76	82

⚠ WARNING

Adjust the shift cable stroke in order to not force the top and the bottom of the engine stroke. The non-compliance with this recommendation causes the control system malfunction such as:

- High resistance to the lever operation
- Early wear of the mechanism that can cause its locking.

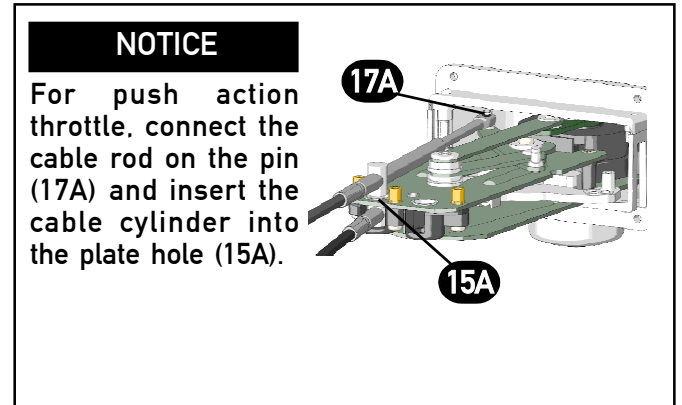
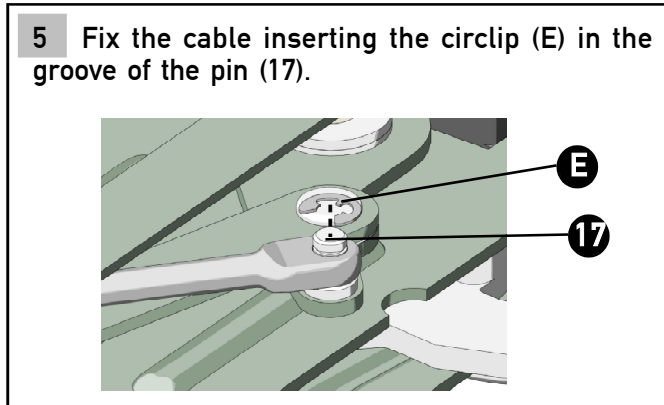
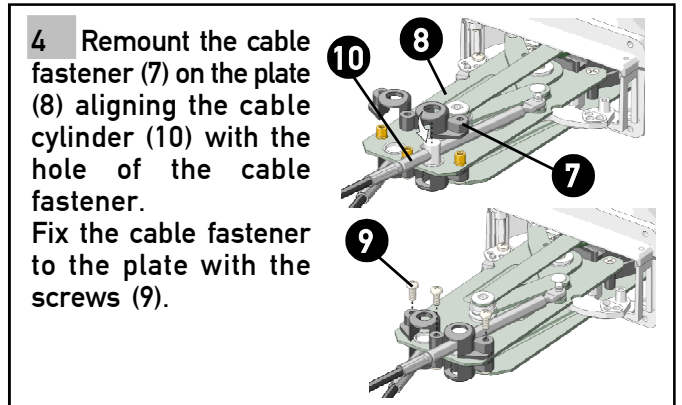
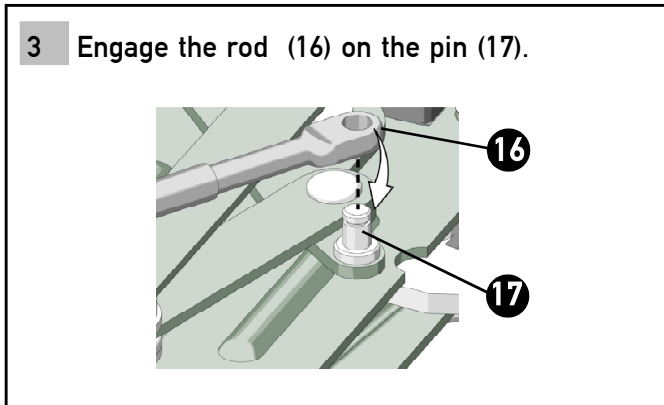
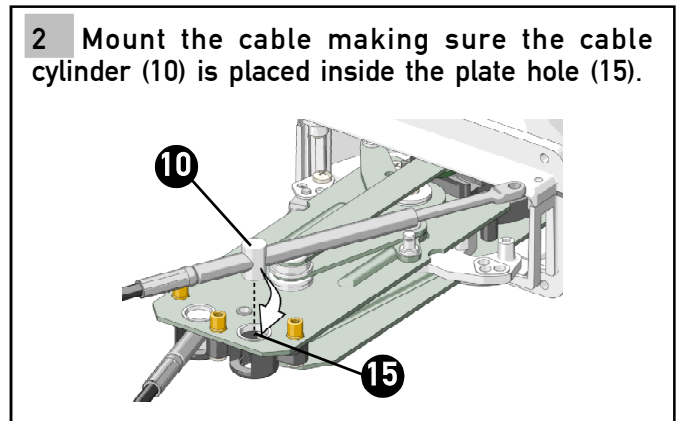
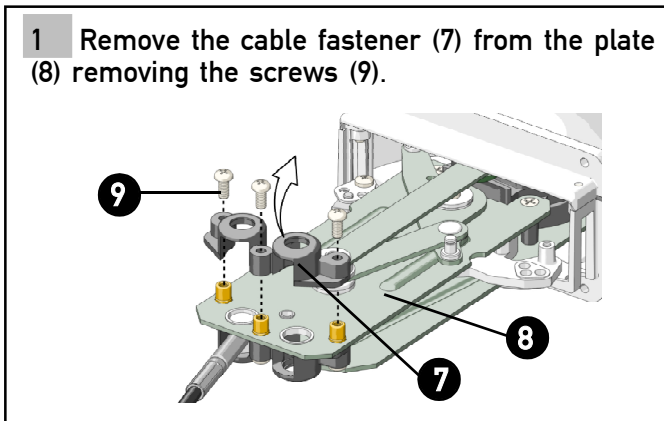




⚠ WARNING

Check the right setting of shift cable stroke and make sure that is compliant with the following conditions. During the shift engagement, the lever movement must be always fluid with a constant resistance. The lever must no become stiffer during the throttle engagement, otherwise check that the control shift stroke corresponds to the engine one.

3.5.2 Throttle cable connection



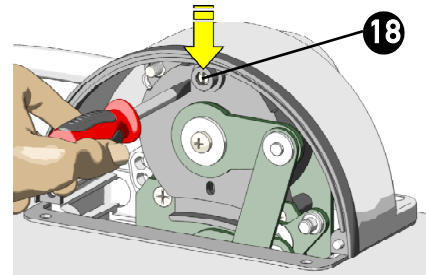
3.6 Adjusting the clutch



Both the control boxes B301 and B302 allow the adjustment of the clutch. Follow the instructions below:

- 1 Rotate the lever in the middle throttle position;

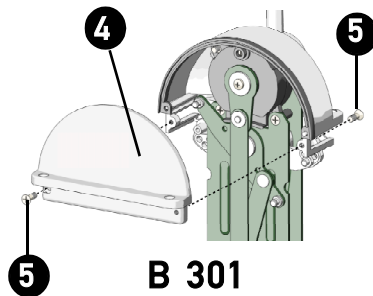
- 2 Screw the dowel (18) to obtain the hardening of the clutch, or unscrew it to obtain a smoother movement. To check the friction of the lever, move it clockwise and counter clockwise. **ADJUSTING THE CLUTCH MUST BE PERFORMED WITH ENGINE TURNED OFF AND THE LEVER IN THROTTLE POSITION.**



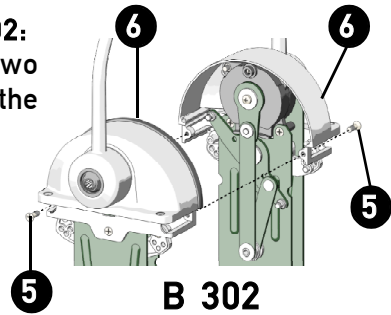
⚠ WARNING

DOING THIS SETTING IN GEAR POSITION CAN DAMAGE THE SYSTEM.

- 3 **CONTROL B301:** Place the rear cover (4) fixing it with the screws (5).



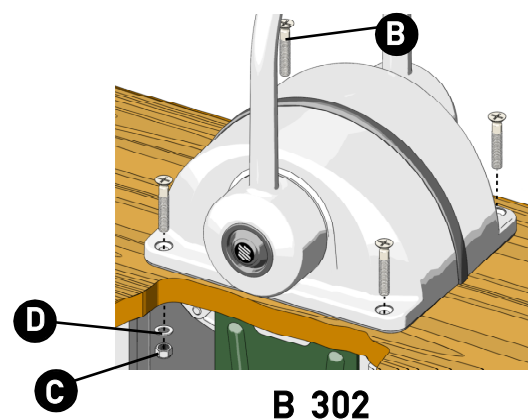
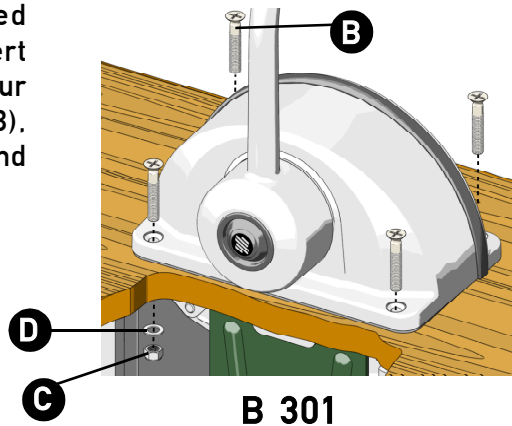
- 3 **CONTROL B302:** Connect the two boxes (6) with the screws (5).



3.7 Lever control box mounting



- 1 Put the control box in the selected position, then insert and tighten the four screws M5x35 (B), with washers (D) and nuts (C).



- 2 Place the sticker supplied on the chromium plated covering.



3.8 Installation of the neutral safety switch



This optional device allows starting the engine only with the shift in neutral position, avoiding unexpected movements of the boat.

To assemble it do as follows:

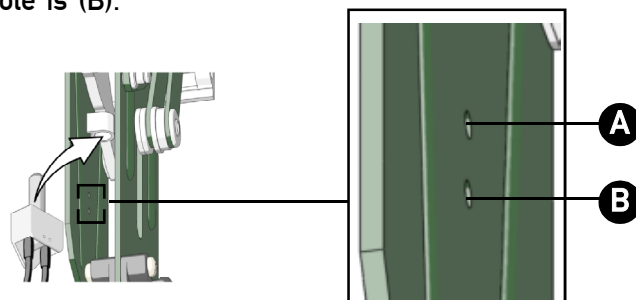
1 Put the lever forward until the holes on the plate (20) can be seen through the slot on the plate (19).

2 Position the device (23) on plate (22) inserting the cylinder (24) inside the plastic guide (25).

3 Through the slot located on the plate (21), insert the screw (26) in the switch hole through the hole of the plate (22). Insert the nut (27) from the outer side of the plate (22) and tighten the screw (26).

NOTICE

If you are installing the switch X12, the screw and the nut must be inserted inside the hole (A). For the switch X41, the reference hole is (B).



ENGLISH

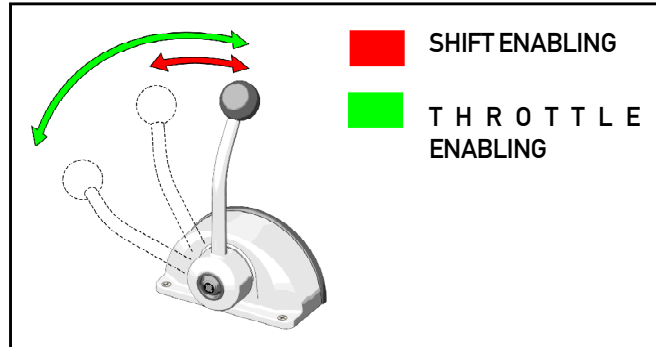


4 USE

4.1 Lever use

The lever stroke is made up of two movements: operating the shift in the first 30° and the throttle in the rest of the stroke.

The boat moves forward when the lever is in forward position, and it moves backward when the lever is put in reverse position. To unlock the throttle without engaging a gear press the button located on the lower part of the lever and at the same time put the lever forward.



ENGLISH

⚠ DANGER

Before starting the engine, if the control is not provided with safety switch, make sure that the lever is in neutral position.

5 SAFETY WARNINGS

This section illustrates the safety regulations to be applied for proper use of the apparatus. Read this section very carefully and also read the manuals supplied with other components of the single lever control.

5.1 Safety warnings during installation and use

OBLIGATORY FOLLOW the precautions and safety criteria indicated below.

ULTRAFLEX shall not be held liable for the user's failure to observe these precautions and criteria and shall not be held liable for any negligence in use of the system.

⚠ DANGER

- NEVER PUT HANDS BETWEEN THE MOVING PARTS.
- Do not deactivate safety devices or render them inoperative.
- Do not modify the system or add devices to it without written authorization or the intervention of an **ULTRAFLEX** technician describing the change made in the description of the work performed.
- Do not use the apparatus for any purpose other than its intended purpose as specified in the installation and maintenance manual.
- Do not allow untrained personnel to perform installation.

⚠ WARNING

- During installation of the system, take particular care to keep everything clean to ensure that no foreign bodies can get into the system. Even a tiny object can cause permanent damage which may not be immediately obvious.
- Avoid cable curve radiuses of < 200 mm (8").
- Do not let cables come into contact with sharp corners or edges.
- Do not let cables come into contact with heat sources.

5.2 Clothing

⚠ WARNING

DO NOT wear necklaces, bracelets or any loose garments that could get caught in moving parts during installation, inspection or maintenance work.



6 MAINTENANCE

6.1 Ordinary maintenance



⚠ WARNING

Failure to apply maintenance controls may result in loss of control when driving, which can result in damage to property and/or injury.

Maintenance requirements will vary depending on climate and frequency and type of use. Inspections must be conducted at least every two years by an experienced nautical mechanic.

Perform the following maintenance operations:

- Periodically wash components with fresh water and remove any salt deposits
- Once a month, check all nuts holding the system in place and tighten if necessary.

⚠ DANGER

Loosening or separation of nuts holding the system in place can cause not only malfunctioning of the single lever control but damage or injury.

- Periodically check the absence of corrosion on the metal parts of the cable terminals and of abrasions on the sheath.
- Replace damaged parts that may compromise the integrity of the single lever control.

6.2 Special maintenance



Technical Assistance

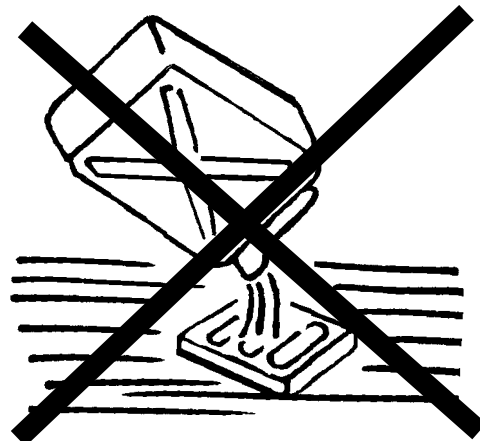
For any information or assistance with particular applications please contact our technical assistance service (See paragraph "Introduction").

7 DISMANTLING

7.1 Dismantling

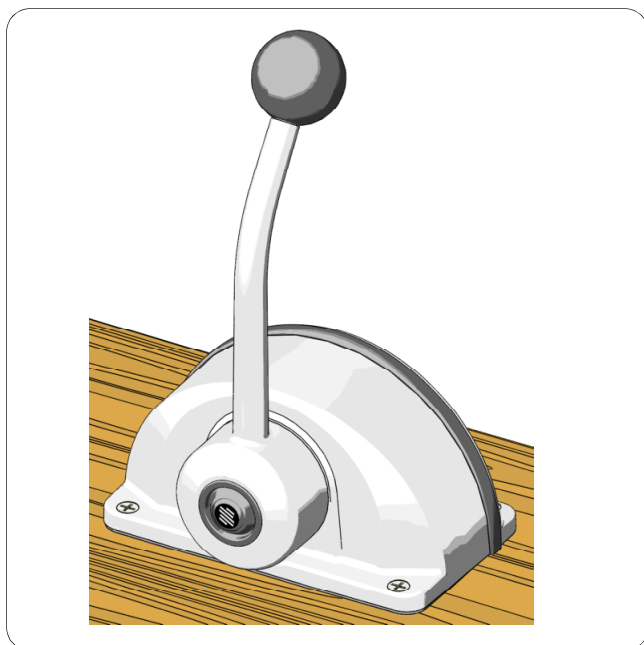
If you intend not to use the single lever control system any more, dispose of it in an environmentally sound way.

Sheaths, hoses and components made of plastic or other non-metallic materials must be dismantled and disposed of separately.

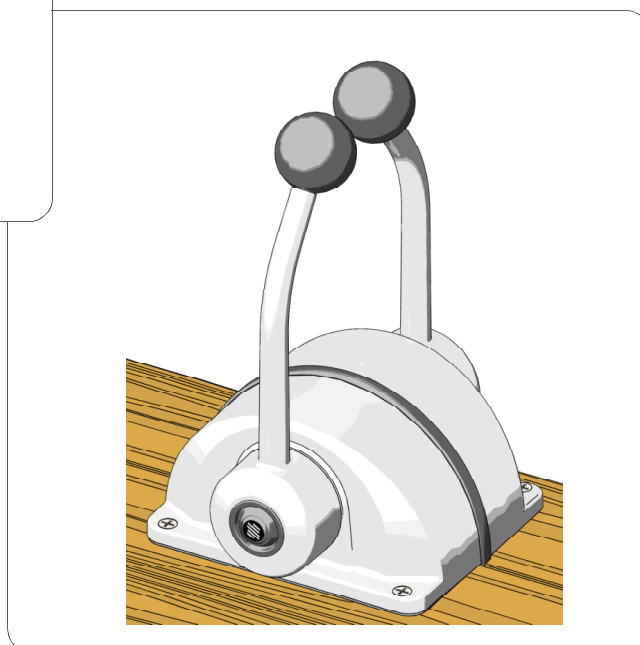


Manuale di installazione e manutenzione

COMANDO MONOLEVA



B 301



B 302

ITALIANO

CE



ULTRAFLEX



SOCIO



Gentile Cliente,

La ringraziamo per aver scelto un prodotto **ULTRAFLEX**.

ULTRAFLEX è da anni un punto di riferimento nei sistemi di guida nel settore della nautica da diporto e professionale.

Da sempre la produzione **ULTRAFLEX** è sinonimo di grande affidabilità e sicurezza.

Tutti i prodotti **ULTRAFLEX** sono progettati e prodotti per garantire sempre le prestazioni migliori, relativamente allo scopo per cui sono concepiti.

Per tutelare la Vostra sicurezza e per mantenere sempre un alto livello qualitativo **ULTRAFLEX** garantisce i propri prodotti solo se utilizzati con i ricambi originali.

I Sistemi di Gestione Qualità **ULTRAFLEX** ed **UFLEX** sono certificati CISQ-IQNet dal RINA Registro Italiano Navale, in conformità alla Norma UNI EN ISO 9001:2008. Certificato **ULTRAFLEX** n° 6669/02/S (già 420/96). Certificato **UFLEX** n°8875/03/S.

Il sistema Qualità coinvolge tutte le risorse ed i processi aziendali a partire dalla progettazione, per:

- garantire al cliente la qualità del prodotto;
- impostare le azioni per mantenere e migliorare nel tempo gli standard di qualità;
- perseguire un continuo miglioramento dell'efficacia e dell'efficienza dei processi per poter essere sempre in sintonia con le esigenze del mercato ed accrescere la soddisfazione dei Clienti.

Il sistema di Gestione Ambientale Ultraflex è certificato da CISQ-IQNet dal RINA Registro Italiano Navale, in conformità alla Norma UNI EN ISO 14001. Certificato **ULTRAFLEX** n° EMS-1282/S.

I prodotti destinati alla nautica da diporto vengono costantemente controllati per verificare la rispondenza ai requisiti imposti dalla direttiva 2013/53/UE.



"**ULTRAFLEX**, con più di 80 anni di esperienza nel settore nautico è oggi leader globale nella produzione di sistemi di guida meccanici, idraulici ed elettronici, scatole di comando e volanti per imbarcazioni a motore da diporto, da pesca o da lavoro di ogni dimensione e tipo di motorizzazione.

L'affidabilità dei nostri prodotti ed il servizio ante e post vendita, la qualità dell'organizzazione aziendale e delle risorse umane insieme agli investimenti continui in ricerca e sviluppo sono fattori determinanti per spiegare il successo crescente dei nostri prodotti ovunque nel mondo".

INDICE GENERALE

USO DEL MANUALE E SIMBOLOGIA IMPIEGATA.....	20
LETTERA INFORMATIVA.....	21
GARANZIA.....	21

SEZIONE 1 - DESCRIZIONE DEL PRODOTTO

1.1 DESCRIZIONE DEL PRODOTTO E RACCOMANDAZIONI SULL'UTILIZZO.....	22
1.2 DIMENSIONI.....	22

SEZIONE 2 - TRASPORTO

2.1 AVVERTENZE GENERALI.....	23
2.2 CONTENUTO IMBALLO.....	23

SEZIONE 3 - INSTALLAZIONE

3.1 UTENSILI NECESSARI.....	24
3.2 POSIZIONAMENTO DELLA SCATOLA DI COMANDO.....	24
3.3 REGOLAZIONE DELL'INCLINAZIONE DELLA LEVA.....	24
3.4 POSIZIONAMENTO DEI CAVI DI CONTROLLO.....	25
3.5 INSTALLAZIONE CAVI C14 E MACH 14.....	25
3.5.1 COLLEGAMENTO DEL CAVO PER IL CONTROLLO DELL'INVERTITORE.....	25
3.5.2 COLLEGAMENTO DEL CAVO PER IL CONTROLLO DEL GAS.....	27
3.6 REGOLAZIONE DEL DISPOSITIVO DI FRIZIONAMENTO.....	28
3.7 FISSAGGIO DELLA SCATOLA DI COMANDO ALLA PLANCIA.....	28
3.8 INSTALLAZIONE DEL NEUTRAL SAFETY SWITCH.....	29

SEZIONE 4 - USO DELLA LEVA

4.1 USO DELLA LEVA.....	30
-------------------------	----

SEZIONE 5 - AVVERTENZE DI SICUREZZA

5.1 NORME DI SICUREZZA DURANTE L'INSTALLAZIONE E L'USO.....	30
5.2 ABBIGLIAMENTO.....	30

SEZIONE 6 - MANUTENZIONE

6.1 MANUTENZIONE ORDINARIA.....	31
6.2 MANUTENZIONE STRAORDINARIA.....	31

SEZIONE 7 - SMANTELLAMENTO

7.1 SMANTELLAMENTO.....	31
-------------------------	----

IMPORTANTE:

In allegato al presente manuale viene fornita la documentazione aggiuntiva denominata "Application Guide" e "Spare Parts List".

USO DEL MANUALE E SIMBOLOGIA IMPIEGATA

IL MANUALE DI INSTALLAZIONE E MANUTENZIONE è il documento che accompagna il prodotto dal momento della sua vendita fino alla sua sostituzione e smaltimento. Risulta cioè essere parte integrante dello stesso. E' richiesta la lettura del manuale prima che venga intrapresa QUALSIASI ATTIVITA' che coinvolga il prodotto compresa la movimentazione e lo scarico dello stesso dal mezzo di trasporto.

⚠ PERICOLO



Danni immediati che CAUSANO ferite gravi alla persona o che portano alla morte.

⚠ AVVERTENZA



Indica che esiste un pericolo che può causare lesione o morte se non sono adottate le precauzioni appropriate.

⚠ ATTENZIONE



Indica un richiamo all'applicazione di pratiche di sicurezza oppure richiama l'attenzione su pratiche non sicure che potrebbero causare lesione personale o danno all'imbarcazione o ai componenti o all'ambiente.

NOTA



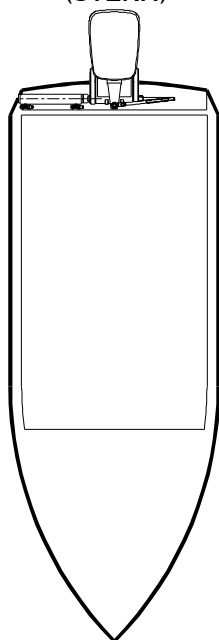
Informazione ritenuta importante per una installazione adeguata e per la manutenzione, che non è causa di danni.



Le operazioni per la cui esecuzione si richiede, onde evitare possibili rischi, personale qualificato o specializzato sono evidenziate con il simbolo indicato a lato.

Si raccomanda di formare il personale destinato all'installazione del prodotto e di verificare che quanto previsto sia compreso ed attuato.

POPPA
(STERN)



TRIBORDO
DRITTA
(STARBOARD)

BABORDO
SINISTRA
(PORT)



La figura a lato ha la funzione di facilitare l'interpretazione di alcuni termini nautici contenuti nel presente manuale.

PRUA
(BOW)



LETTERA INFORMATIVA

Il presente manuale di installazione e manutenzione costituisce parte integrante del prodotto e deve essere facilmente reperibile dal personale addetto all'uso e alla manutenzione dello stesso.

L'utilizzatore è tenuto a conoscere il contenuto del presente manuale.

ULTRAFLEX declina ogni responsabilità per eventuali inesattezze dovute ad errori di stampa, contenute nel manuale.

Ferme restando le caratteristiche essenziali del prodotto descritto, **ULTRAFLEX** si riserva il diritto di apportare eventuali modifiche di descrizioni, dettagli e illustrazioni, che riterrà opportuno per il miglioramento dello stesso, o per esigenze di carattere costruttivo o commerciale, in qualunque momento e senza impegnarsi ad aggiornare tempestivamente questa pubblicazione.

TUTTI I DIRITTI SONO RISERVATI. I diritti di pubblicazione, i marchi, le sigle e le fotografie dei prodotti **ULTRAFLEX** presenti in questo manuale sono di proprietà **ULTRAFLEX** che ne vieta qualsiasi riproduzione anche parziale. Ogni cura è stata posta nella raccolta e nella verifica della documentazione per rendere questo manuale il più completo e comprensibile possibile. Nulla di quanto contenuto nella presente pubblicazione può essere interpretato come garanzia o condizione espressa o implicita - inclusa, non in via limitativa, la garanzia di idoneità per un particolare scopo. Nulla di quanto contenuto nella presente pubblicazione può inoltre essere interpretato come modifica o asserzione dei termini di qualsivoglia contratto di acquisto.

⚠ AVVERTENZA

Al fine di assicurare il corretto funzionamento del prodotto e dei suoi componenti, lo stesso deve essere installato da personale esperto. In caso di rotture di parti componenti o malfunzionamento, rivolgersi al personale specializzato o contattare il nostro Servizio Assistenza Tecnica.

SERVIZIO ASSISTENZA TECNICA

UFLEX S.r.l.

Via Milite Ignoto.8A
16012 Busalla (GE)-Italia
Tel: +39.010.962.01
Fax: +39.010.962.0333
Email: service@ultraflexgroup.it
www.ultraflexgroup.it

Nord - Sud - Centro America: UFLEX USA

6442 Parkland Drive
Sarasota, FL 34243
Tel: +1.941.351.2628
Fax: +1.941.360.9171
Email: sales@uflexusa.com
www.uflexusa.com

GARANZIA

ULTRAFLEX garantisce che i suoi prodotti sono costruiti a regola d'arte e che sono privi di difetti di fabbricazione e di materiali.

Questa garanzia è valida per un periodo di due anni decorrenti dalla data di fabbricazione dei prodotti ad eccezione dei casi in cui questi siano installati ed usati su barche da lavoro o comunque su barche ad utilizzo commerciale, nel qual caso la garanzia è limitata ad 1 anno dalla data di fabbricazione.

Questa garanzia è limitata alla sostituzione o riparazione gratuita del pezzo che, entro il termine suddetto, ci sarà restituito in porto franco e che rileveremo essere effettivamente difettoso nei materiali o/e nella fabbricazione.

È escluso dalla garanzia ogni e qualsiasi altro danno diretto o indiretto. In particolare, è escluso dalla garanzia e da ogni nostra responsabilità (tranne quella di sostituire o riparare, nei termini e condizioni suddette, i pezzi difettosi) il malfunzionamento dei nostri prodotti qualora il loro mancato o difettoso funzionamento sia attribuibile ad una errata installazione o ad uso negligente o improprio.

Questa garanzia non copre i prodotti installati su barche da corsa o utilizzate in contesti competitivi. Le descrizioni e le illustrazioni di questo manuale s'intendono fornite a titolo indicativo.

Per informazioni dettagliate si prega di contattare il nostro Servizio Assistenza.

I componenti dei sistemi di guida **ULTRAFLEX** sono marcati **CE** come richiesto dalla direttiva 2013/53/UE.

Vi ricordiamo che sulle imbarcazioni marcate CE è obbligatorio installare sistemi di guida i cui componenti siano marcati CE. Vi informiamo che la garanzia **ULTRAFLEX** decade automaticamente qualora alcuni componenti **ULTRAFLEX** siano installati in un sistema di guida insieme a prodotti di altre marche.



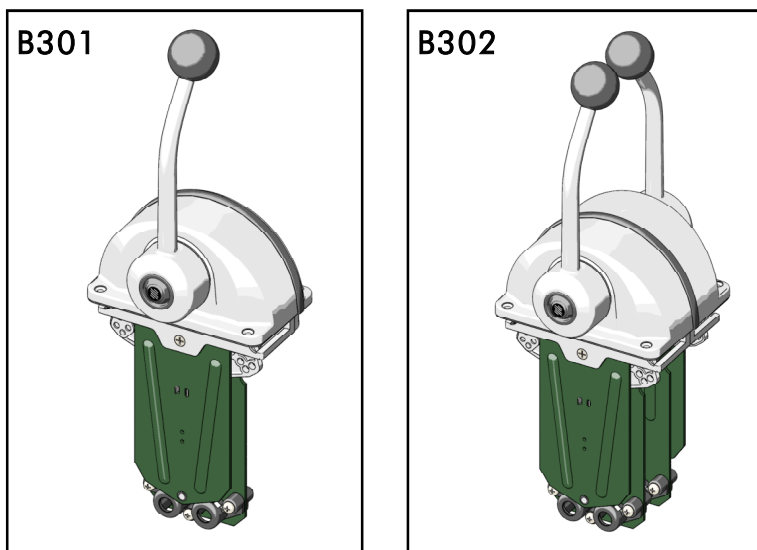
1 DESCRIZIONE DEL PRODOTTO

1.1 Descrizione del prodotto e raccomandazioni sull'utilizzo

Il comando monoleva B301 e il comando monoleva per doppio motore B302 sono progettati per il controllo del gas e dell'invertitore. Sono adatti a qualsiasi tipo d'imbarcazione con motore fuoribordo, entro-bordo ed entro-fuoribordo. Le scatole di comando possono utilizzare tutti i cavi Ultraflex per il comando motore ad eccezione di C4; in dotazione con entrambi i modelli viene incluso il kit K59, necessario per il collegamento dei cavi Ultraflex C2, C8, C0, Mach 0.

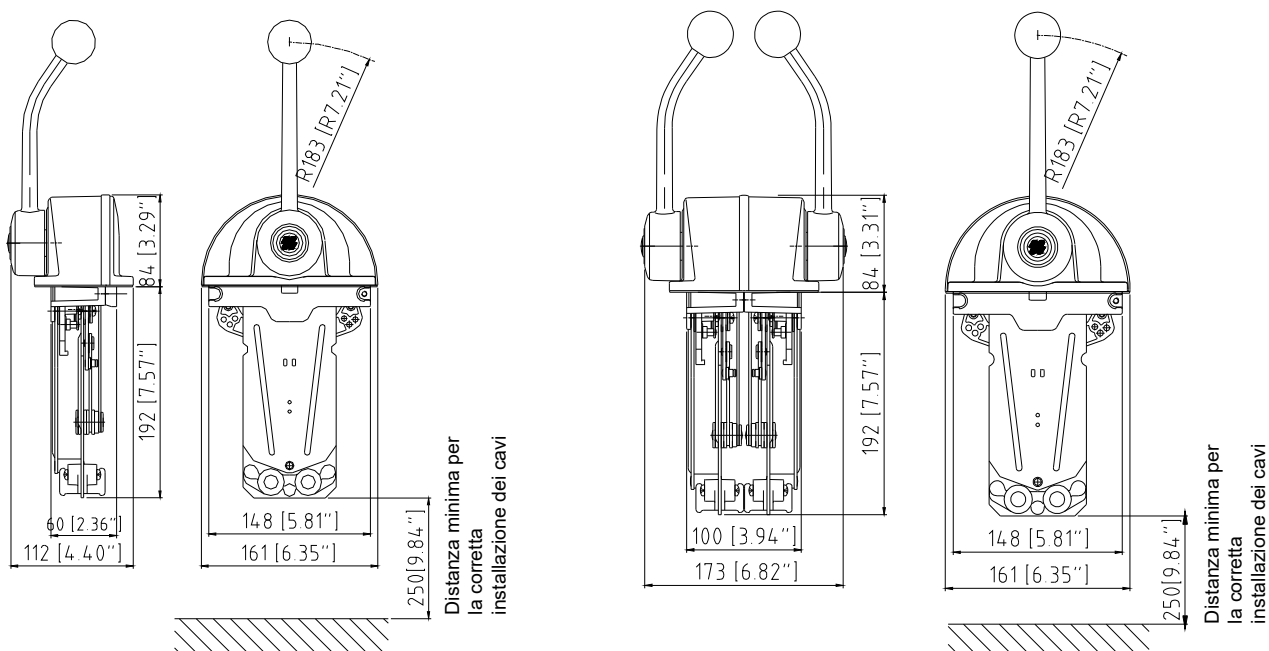
Per gli altri cavi sono previsti i seguenti kit a richiesta:

- K 60 per cavi Ultraflex C5 - C16 - MACH 5;
- K 61 per cavi Ultraflex C22;
- K 62 per cavi Ultraflex C36 - MACH 36.
- I cavi C14 e MACH14 non richiedono kit per l'installazione.



1.2 Dimensioni

Le figure seguenti indicano le dimensioni dei comandi monoleva B301 e B302.



2 TRASPORTO

2.1 Avvertenze generali

Il peso del prodotto con il suo imballo è 2.5Kg (5.5 pounds) e quindi la sua movimentazione può essere effettuata manualmente.

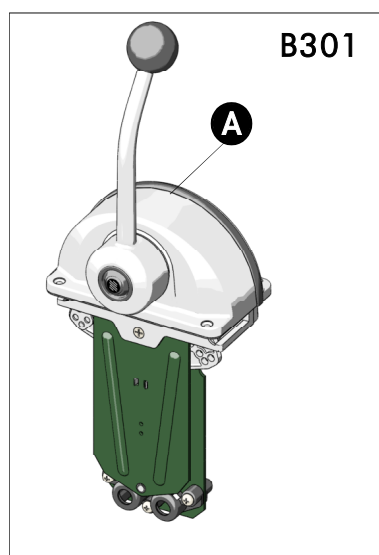
⚠ AVVERTENZA

Il personale addetto alla manipolazione del carico deve operare con guanti protettivi e scarpe antinfortunistiche.

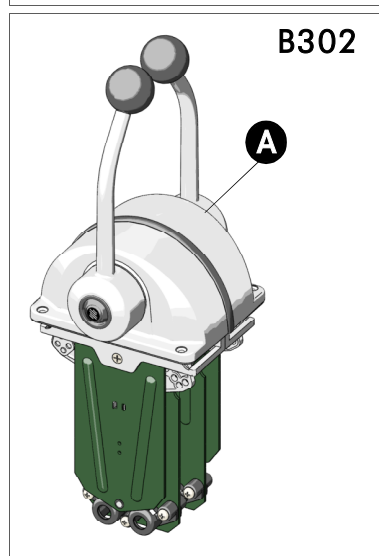
2.2 Contenuto imballo

Prima dell'utilizzo dell'apparecchiatura verificare che non abbia subito danneggiamenti dovuti al trasporto o alle condizioni di conservazione. Verificare inoltre che tutti i componenti forniti di serie siano contenuti nell'imballo (vedi elenco). In caso di danneggiamento, notificare il reclamo allo spedizioniere ed avvisare il vostro fornitore.

Contenuto degli imballi delle scatole di comando:

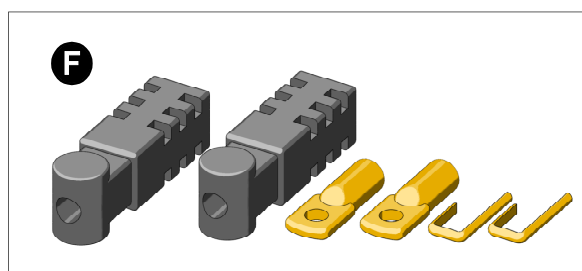
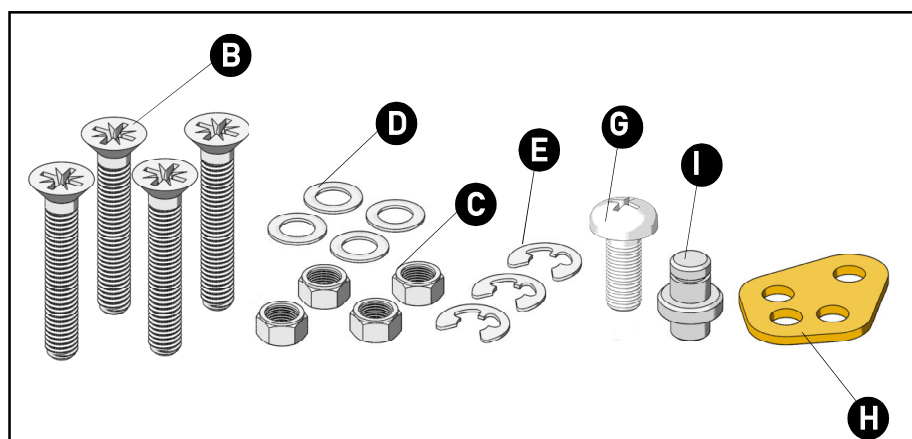


B301



B302

RIF	B301	B302
A	1 scatola di comando	1 scatola di comando
B	4 viti M5x30	4 viti M5x30
C	4 dadi M5	4 dadi M5
D	4 rondelle	4 rondelle
E	3 anelli di ritegno	6 anelli di ritegno
F	1 kit K59 per installazione cavi	2 kit K59 per installazione cavi
G	1 vite M5x12	2 viti M5x12
H	1 piastrina fermacavo	2 piastrine fermacavo
I	1 perno fermacavo	2 perni fermacavo



⚠ ATTENZIONE

L'imballo deve essere smaltito secondo le direttive vigenti.



3 INSTALLAZIONE

3.1 Utensili necessari



Cacciavite a stella



Pinza



Chiave esagonale 8mm [0.31"]



Chiave a tubo 17mm [0.66"]



3.2 Posizionamento della scatola di comando

1 Posizionare la scatola di comando in modo da consentire la rotazione completa della leva dalla posizione "marcia avanti" alla posizione "marcia indietro" e viceversa.

2 Riferirsi alle quote d'ingombro indicate al paragrafo 1.2 per verificare che la scatola possa essere effettivamente installata nella posizione prescelta.

⚠ AVVERTENZA

Evitare che il cavo, quando sarà installato, sia sottoposto a curvature troppo strette.

3 Dopo aver stabilito la collocazione appropriata, eseguire la foratura necessaria all'inserimento della scatola di comando con l'ausilio dell'apposita dima.

Per l'installazione dei comandi singolo e doppio riferirsi alle dime riportate in allegato.

NOTA

Collegare i cavi alla scatola prima di fissare il gruppo di comando sulla plancia.

⚠ ATTENZIONE

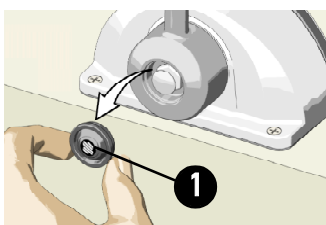
Per tutte le installazioni di scatole di comando ULTRAFLEX, si raccomanda l'utilizzo di un adeguato sistema killing switch.



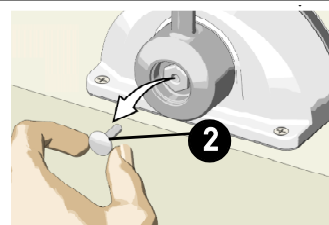
3.3 Regolazione dell'inclinazione della leva

In funzione del posizionamento del comando, è possibile modificare l'inclinazione della leva, sia in avanti che indietro. Procedere come segue:

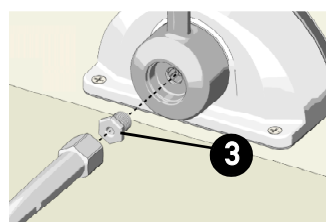
1 Rimuovere il cappuccio in gomma presente sul mozzo della leva (1).



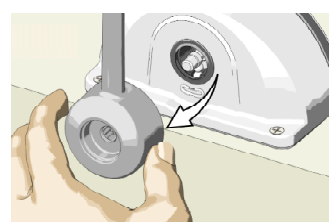
2 Estrarre completamente il perno in plastica (2).



3 Svitare completamente la vite a testa esagonale (3) mediante chiave a tubo da 17.



4 Estrarre la leva e ruotarla nella posizione prescelta, dopodiché reinserirla ingranando i denti dell'alberino con quelli presenti all'interno del mozzo.



- 5 Applicare frenafili **deboli** (Loctite 222) sulla vite (3) ed avvitarela completamente. Inserire il perno sulla vite (2). Inserire il cappuccio in gomma (1).

⚠ ATTENZIONE

Verificare che l'inclinazione della leva non impedisca alla stessa di compiere l'escursione angolare completa necessaria in manovra, circa 180°.

3.4 Posizionamento dei cavi di controllo



- 1 Stendere i cavi di comando secondo un percorso con il minor numero di curve e completamente libero da ostacoli.

⚠ AVVERTENZA

Evitare curvature troppo strette (raggio minimo di curvatura 203 mm (8")).

NOTA

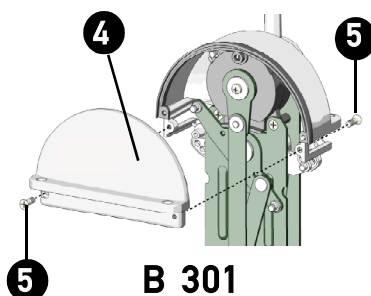
Per le installazioni sui motori fuoribordo occorre lasciare ai cavi una lunghezza aggiuntiva di ca 120 cm (47") in modo da consentire i movimenti del motore.

I cavi possono essere vincolati per mezzo degli appositi cavallotti (forniti a parte) oppure facendoli passare attraverso segmenti di condotto (anch'essi forniti a parte) nei tratti lunghi e privi di curvature.

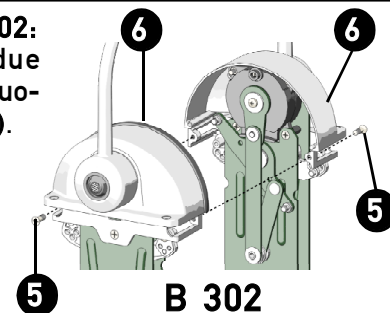
⚠ AVVERTENZA

Allo scopo di evitare indurimenti del comando, non fissare i cavi in prossimità dell'uscita dal comando stesso (distanza minima per il fissaggio 500 mm) e comunque non utilizzare sistemi di fissaggio che possano provocare deformazioni della guaina.

- 2 **COMANDO B301:** Rimuovere il coperchio posteriore (4) della scatola di comando svitando le viti (5) in modo da avere pieno accesso agli elementi su cui andranno fissati i cavi.



- COMANDO B302:** Separare le due scatole (6), rimuovendo le viti (5).



- 3 Per ciascun modello di cavo è previsto un kit di accessori che consente la connessione dello stesso alla(e) scatola(e) di comando. In dotazione alle monoleve B301 e B302 viene incluso il kit K59.

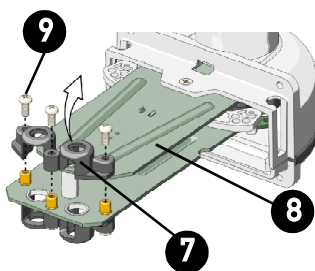
Per installare i cavi alla(e) scatola(e) seguire le apposite istruzioni fornite insieme a ciascun kit. Per l'installazione dei cavi C14 e MACH14 seguire le indicazioni riportate al paragrafo seguente.

3.5 Installazione cavi C14 e Mach14

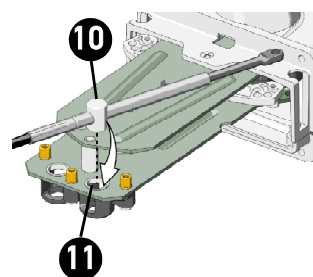


3.5.1 Collegamento del cavo per il controllo dell'invertitore

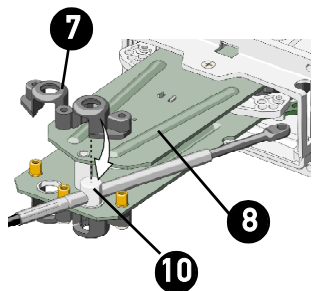
- 1 Collocare la scatola di comando su di un piano (il logo Ultraflex presente sul mozzo della leva sia rivolto verso l'alto). Rimuovere il fermaguaina (7) dalla piastra (8) svitando le viti (9).



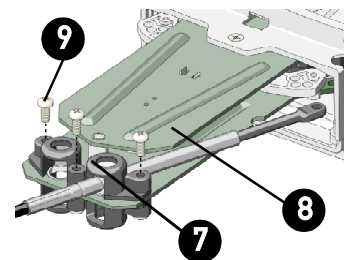
- 2 Collegare il cavo in modo che l'elemento cilindrico del connettore (10) sia calzato all'interno del foro (11) della piastra.



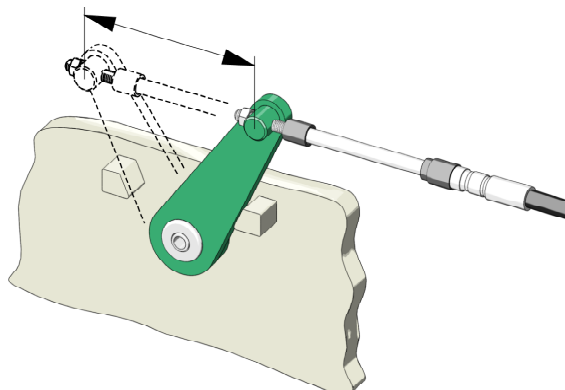
3 Ricollocare il fermaguaina (7) sulla piastra (8) allineando l'elemento cilindrico del connettore (10) con il foro del fermaguaina.



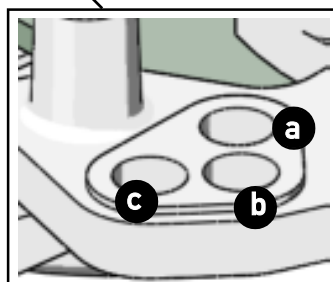
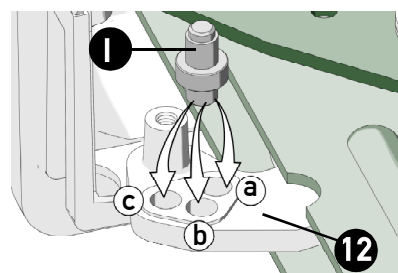
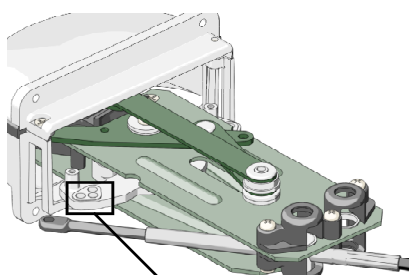
4 Assicurare il fermaguaina (7) alla piastra (8) serrando le viti (9).



5 Misurare sul motore la corsa che compie la levetta dell'invertitore da marcia avanti a marcia indietro. Riferirsi alle corse disponibili sul meccanismo di comando e scegliere quella che piu' si avvicina; per esempio: se la corsa rilevata sul motore, da finecorsa a finecorsa risulta 67 mm, il cavo dovrà essere collegato al foro piu' interno (corsa 68 mm), nel caso si rilevi una corsa di 70 mm, verificare se sufficiente la corsa 68 mm sul meccanismo altrimenti connettere il cavo al foro centrale (corsa 76 mm); alcuni millimetri (5-6) di corsa in eccesso sul meccanismo di comando sono compensati dal gioco del cavo.



6 Capovolgere la scatola di comando (meccanismo interno rivolto verso l'alto). Inserire il perno (I) su uno dei fori (a), (b), o (c) presenti sul bilanciere invertitore della scatola di comando (12)



NOTA

Il foro viene scelto in funzione della corsa che si vuole far compiere al cavo; a tale scopo fare riferimento alla tabella riportata di seguito:

FORO	a	b	c
CORSA [mm]	68	76	82

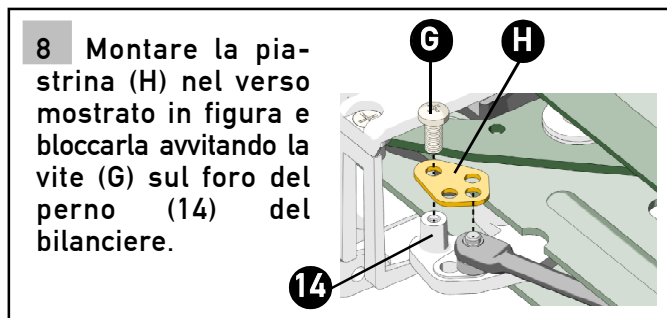
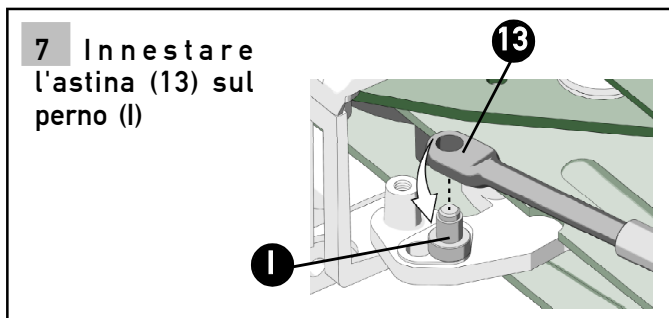
⚠ AVVERTENZA

Regolare la corsa del cavo di comando dell'invertitore in modo da non generare forzature sui finecorsa della levetta sul motore.

L'inosservanza di questa raccomandazione causa malfunzionamenti del sistema di controllo, quali:

- Elevata resistenza all'azionamento della leva
- Precoce usura del meccanismo che può provocare il bloccaggio dello stesso.



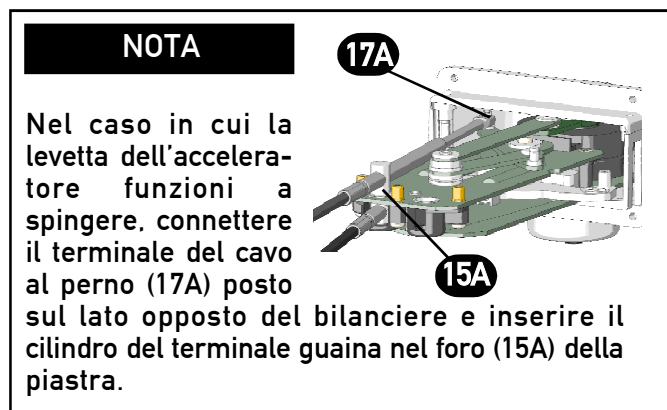
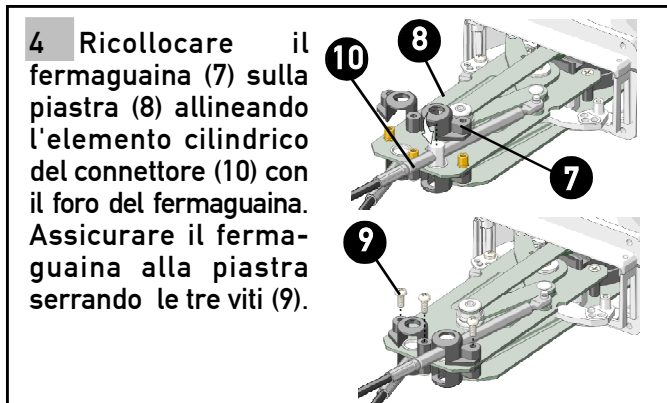
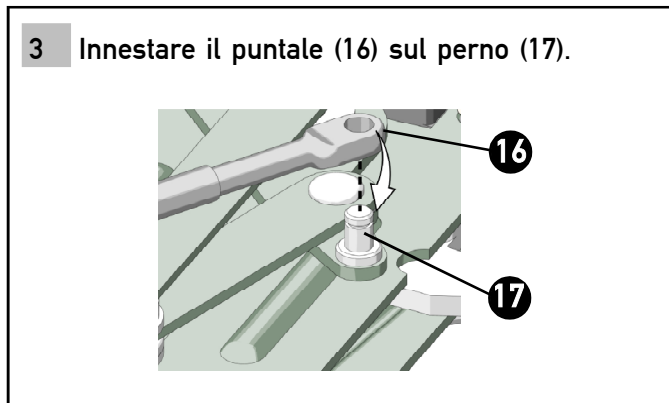
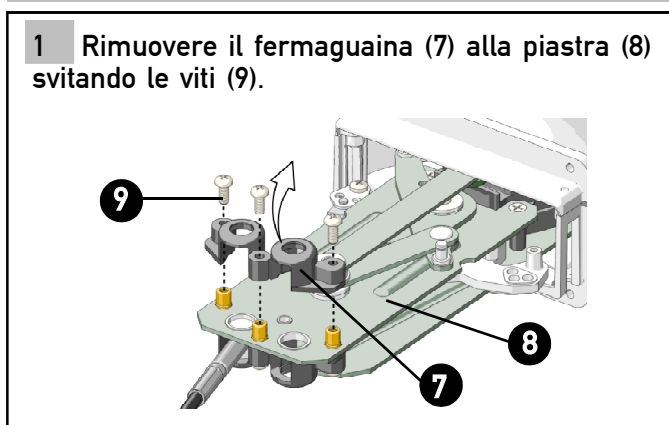


⚠ AVVERTENZA

Verificare la corretta regolazione della corsa dell'invertitore, accertandosi che sia rispettata la seguente condizione:

Durante l'innesto dell'invertitore il movimento della leva deve essere sempre fluido ed a resistenza costante e non deve incontrare nessuna resistenza continuando a ruotare la leva stessa in modalità di acceleratore. In caso contrario controllare la corrispondenza della corsa fra comando ed invertitore sul motore.

3.5.2 Collegamento del cavo per il controllo del gas



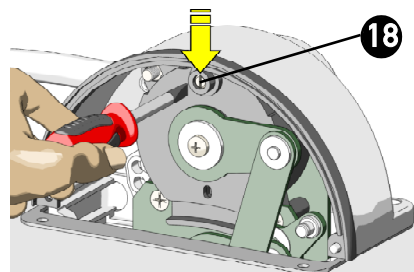
3.6 Regolazione del dispositivo di frizionamento



Le scatole di comando B301 e B302 consentono la regolazione del dispositivo di frizionamento dell'acceleratore; procedere come segue:

1 Ruotare la leva in posizione metà acceleratore;

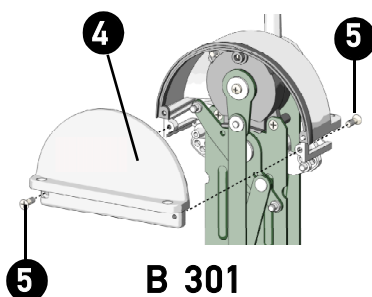
2 Mediante cacciavite stringere il grano (18) per ottenere l'indurimento della frizione, oppure svitarlo per ottenere un movimento più morbido. Per verificare il grado di frizionamento della leva, muovere la stessa alternativamente in direzione oraria e antioraria. LA REGOLAZIONE DELLE FRIZIONE DEVE ESSERE ESEGUITA A MOTORE SPENTO, PORTANDO LA LEVA IN POSIZIONE ACCELERATA.



⚠ ATTENZIONE

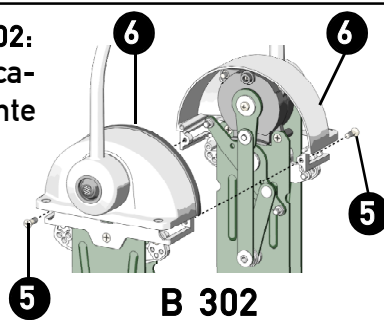
NON SEGUIRE QUESTO ACCORGIMENTO PUO' DANNEGGIARE IL SISTEMA.

3 **COMANDO B301:**
Riposizionare il coperchio posteriore (4) fissandolo mediante le viti (5).



B 301

COMANDO B302:
Unire le due scatole (6) mediante le viti (5).

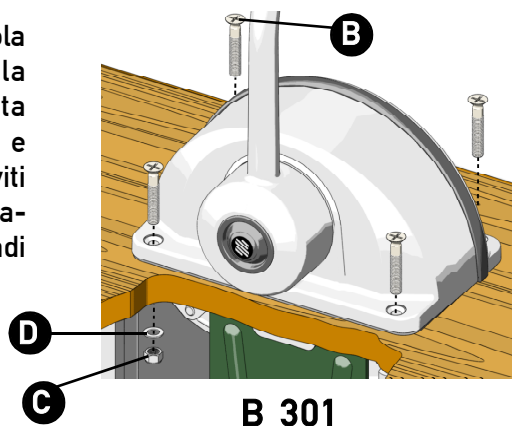


B 302

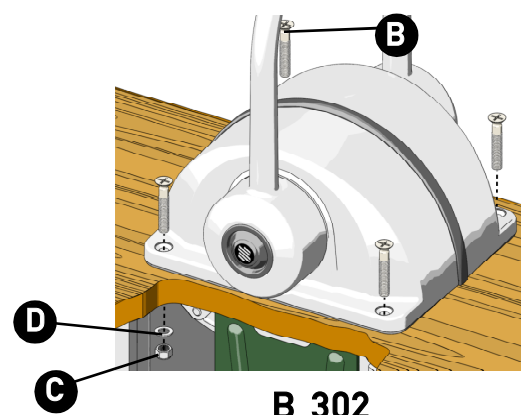
3.7 Fissaggio della scatola di comando alla plancia



1 Inserire la scatola di comando nella posizione prescelta dopodiché inserire e avvitare le quattro viti M5x35 (B) con le relative rondelle (D) e dadi autobloccanti (C).



B 301



B 302

2 Posizionare l'adesivo fornito in dotazione sulla copertura cromata.





3.8 Installazione del neutral safety switch

Questo dispositivo opzionale consente l'avvio del motore solo con l'invertitore in posizione di "folle", evitando movimenti pericolosi dell'imbarcazione.

Per il montaggio, procedere come segue:

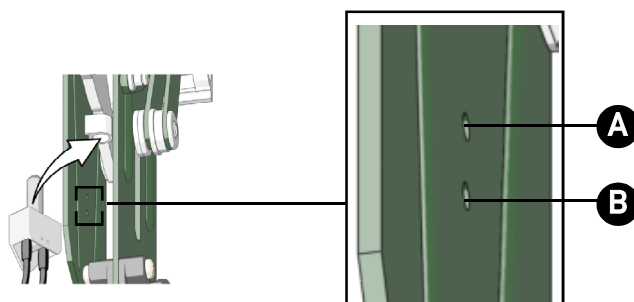
1 Portare la leva in avanti in modo tale da visualizzare attraverso l'asola presente sulla piastra (20) i fori presenti sulla piastra (19).

2 Posizionare il dispositivo (23) sulla piastra (22) inserendo il cilindretto (24) all'interno dell'apposita guida in plastica (25).

3 Attraverso l'asola presente sulla piastra (21), inserire la vite (26) nel foro dello switch e fissarlo sulla piastra (22). Inserire il dado (27) dal lato esterno della piastra (22) e stringere la vite (26).

NOTA

Se si sta installando lo switch X12, l'insieme vite e dado va inserito nel foro (A). Per lo switch X41, il foro di riferimento é il (B).

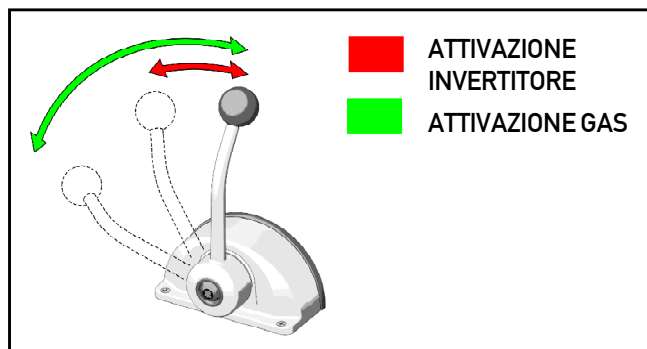


ITALIANO

4.1 Uso della leva

La corsa della leva è divisa in due movimenti durante i quali vengono azionati nella prima fase l'invertitore; nella seconda fase l'acceleratore.

Portando la leva in avanti si ottiene l'avanzamento dell'imbarcazione, mentre all'indietro è possibile procedere in retromarcia. Per attivare l'acceleratore senza innestare la marcia, occorre premere il pulsante posto sulla parte inferiore della leva e contemporaneamente portare in avanti la leva stessa.



⚠ PERICOLO

Prima di avviare il motore, se il comando è sprovvisto di safety switch, accertarsi che lo stesso sia in folle.

5 AVVERTENZE DI SICUREZZA

Questa sezione ha lo scopo di illustrare le norme di sicurezza da seguire per un uso corretto dell'apparecchiatura. Si raccomanda di leggere con molta attenzione questa sezione. Si raccomanda di leggere i manuali forniti con gli altri componenti del sistema di guida.

5.1 Norme di sicurezza durante l'installazione e l'uso

RISPETTATE TASSATIVAMENTE le precauzioni ed i criteri di sicurezza indicati qui di seguito.

ULTRAFLEX declina ogni responsabilità nel caso in cui l'utilizzatore non li osservi, così come non è responsabile per qualsiasi tipo di negligenza che venga commessa durante l'utilizzo del sistema.

⚠ PERICOLO

- **NON INSERIRE LE MANI TRA ORGANI IN MOVIMENTO.**
- Non disattivare o rendere in qualsiasi modo non operativi i dispositivi di sicurezza.
- Non modificare o aggiungere dispositivi all'impianto, senza autorizzazione scritta o previo intervento tecnico **ULTRAFLEX** che comprovi nella descrizione dell'intervento la modifica apportata.
- Non utilizzare l'apparecchiatura per uno scopo diverso da quello per cui è stata destinata, specificato nel manuale di installazione e manutenzione.
- Non far eseguire l'installazione a personale non specializzato.

⚠ AVVERTENZA

- In fase d'installazione del sistema, avere particolare cura nel mantenere la massima pulizia, per evitare che qualunque corpo estraneo possa penetrare nel sistema stesso. Anche il più piccolo oggetto potrebbe arrecare danni permanenti non immediatamente rilevabili.
- Evitare raggi di curvatura dei cavi <200 mm (8").
- Evitare il contatto dei cavi con bordi o spigoli taglienti.
- Evitare il contatto dei cavi con fonti di calore.

5.2 Abbigliamento

⚠ AVVERTENZA

Durante le fasi di installazione, ispezione o manutenzione.

E' SEVERAMENTE PROIBITO indossare collane, braccialetti o indumenti che potrebbero impigliarsi in parti in movimento.



6 MANUTENZIONE

6.1 Manutenzione ordinaria

AVVERTENZA

La mancata osservanza dei controlli di manutenzione può causare la perdita di guida con possibili danni materiali e/o lesioni personali.

I requisiti per la manutenzione variano secondo il clima, la frequenza ed il modo d'impiego. Sono necessarie ispezioni almeno annuali effettuate da un esperto meccanico nautico.

Effettuare le seguenti operazioni di manutenzione:

- Periodicamente lavare con acqua e sapone i componenti rimuovendo eventuali depositi di sale.
- Ad intervalli mensili regolari controllare ed eventualmente stringere tutti i dadi di fissaggio del sistema.

PERICOLO

L'allentamento o la separazione dei dadi di fissaggio può causare, oltre al malfunzionamento del sistema di guida, danni a persone e a cose.

- Periodicamente controllare che non vi sia corrosione sulle parti metalliche dei terminali del cavo e abrasioni sulla guaina.
- Sostituire le parti danneggiate che possono compromettere l'integrità del sistema di guida.

6.2 Manutenzione straordinaria

Assistenza tecnica

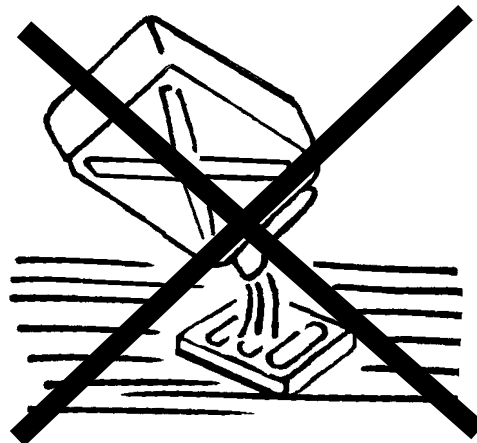
Per qualsiasi informazione o per assistenza relativa ad applicazioni particolari, Vi invitiamo a contattare il nostro servizio di assistenza tecnica (Vedi paragrafo "Lettera informativa").

7 SMANTELLAMENTO

7.1 Smantellamento

Qualora si intenda, per qualsiasi motivo, mettere fuori servizio il sistema di comando, è necessario osservare alcune regole fondamentali atte a salvaguardare l'ambiente.

Guaine, condotti flessibili, componenti di materiale plastico o comunque non metallico, dovranno essere smontati e smaltiti separatamente.

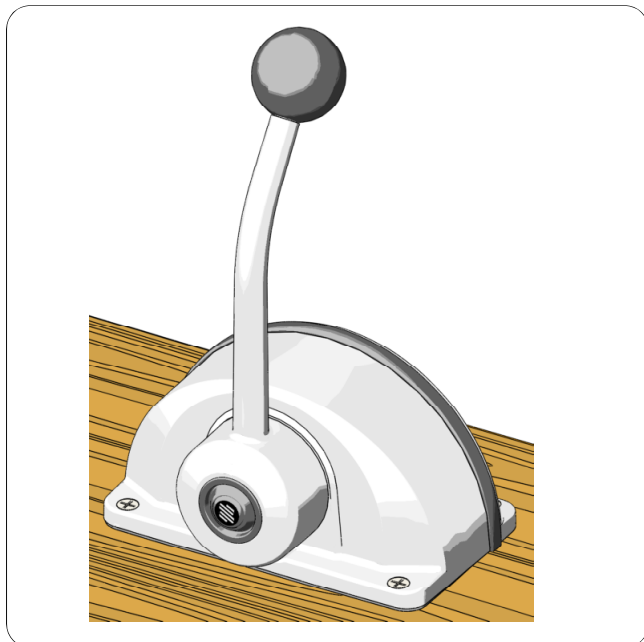


NOTE

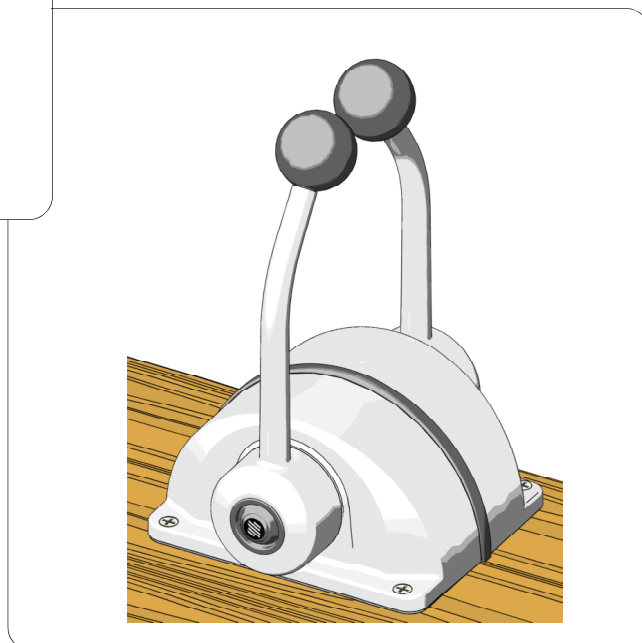
ITALIANO

Manuel d'installation et d'entretien

COMMANDE MONO-LEVIER



B 301



B 302

CE

FRANÇAIS



ULTRAFLEX



ASSOCIE



Cher Client,

Nous vous remercions pour avoir choisi un produit **ULTRAFLEX**.

La Société **ULTRAFLEX** est depuis plusieurs années un point de repère dans les systèmes de direction et de contrôle moteur dans le domaine de la navigation de plaisance et professionnelle.
La production **ULTRAFLEX** est depuis toujours une garantie de grande fiabilité et sécurité.

Tous les produits **ULTRAFLEX** sont conçus et fabriqués pour assurer toujours les performances les meilleures.

Pour assurer votre sécurité et pour maintenir toujours un niveau de qualité élevé **ULTRAFLEX** ne garantit ses produits que si les pièces de rechange originales sont utilisées (voir annexe "Application Spare Parts").

Les Systèmes de Gestion de la Qualité **ULTRAFLEX** et **UFLEX** sont certifiés CISQ-IQNet par le Registre Italien des Navires (RINA), en conformité avec la Norme UNI EN ISO 9001:2008. Certificat **ULTRAFLEX** n° 6669/02/S (ancien 420/96). Certificat **UFLEX** n°8875/03/S.

Le système Qualité implique toutes les ressources et les processus d'entreprise à partir de la conception du projet au but de:

- assurer au client la qualité du produit;
- maintenir et améliorer continuellement les standard de qualité;
- poursuivre une amélioration continue de l'efficacité des processus afin de répondre toujours aux exigences du marché et d'augmenter la satisfaction des Clients;

Le système de Gestion Environnementale de la Qualité **ULTRAFLEX** est certifié CISQ-IQNet par le Registre Italien des Navires (RINA), en conformité avec la Norme UNI EN ISO 14001. Certificat **ULTRAFLEX** n° EMS-1282/S.

Vérifier la conformité des produits aux prescriptions de la directive 2013/53/EU.



"**ULTRAFLEX**, avec plus de 80 années d'expérience dans le domaine nautique, est aujourd'hui une industrie de pointe sur échelle mondiale dans la production de systèmes de gouvernail mécaniques, hydrauliques, électroniques, manettes et volants pour bateaux moteur de toutes dimensions pour la plaisance, la pêche ou le professionnel.

La fiabilité de nos produits et le service commercial et après-vente, la qualité de l'organisation de l'entreprise et des ressources humaines aussi bien que les investissements continus dans la recherche et le développement sont des facteurs fondamentaux pour expliquer le succès croissant de nos produits dans le monde entier.

INDEX GENERAL



EMPLOI DU MANUEL ET SYMBOLES UTILISES.....	36
LETTRE D'INFORMATION.....	37
GARANTIE.....	37

SECTION 1 - DESCRIPTION DU PRODUIT



1.1 DESCRIPTION DU PRODUIT ET RECOMMANDATIONS SUR L'EMPLOI.....	38
1.2 DIMENSIONS.....	38

SECTION 2 - TRANSPORT



2.1 AVERTISSEMENTS GENERAUX.....	39
2.2 CONTENU EMBALLAGE.....	39

SECTION 3 - INSTALLATION



3.1 OUTILS NECESSAIRES.....	40
3.2 POSITIONNEMENT DE LA MANETTE.....	40
3.3 REGLAGE DE L'INCLINAISON DU LEVIER.....	40
3.4 POSITIONNEMENT DES CABLES DE CONTROLE.....	41
3.5 INSTALLATION CABLES C14 ET MACH 14.....	41
3.5.1 CONNEXION DU CABLE POUR LE CONTROLE DE L'INVERSEUR.....	41
3.5.2 CONNEXION DU CABLE POUR LE CONTROLE DU GAZ.....	42
3.6 REGLAGE DU DISPOSITIF D'EMBRAYAGE.....	44
3.7 FIXATION DE LA MANETTE AU TABLEAU DE BORD.....	44
3.8 INSTALLATION DE L'INTERRUPTEUR DE SECURITE NEUTRE.....	45

SECTION 4 - EMPLOI DU LEVIER



4.1 EMPLOI DU LEVIER.....	46
---------------------------	----

SECTION 5 - AVERTISSEMENTS DE SECURITE



5.1 NORMES DE SECURITE PENDANT L'INSTALLATION ET L'EMPLOI.....	46
5.2 HABILLEMENT.....	46

SECTION 6 - ENTRETIEN



6.1 ENTRETIEN ORDINAIRE.....	47
6.2 ENTRETIEN EXTRAORDINAIRE.....	47

SECTION 7 - DEMOLITION



7.1 DEMOLITION.....	47
---------------------	----





IMPORTANT:

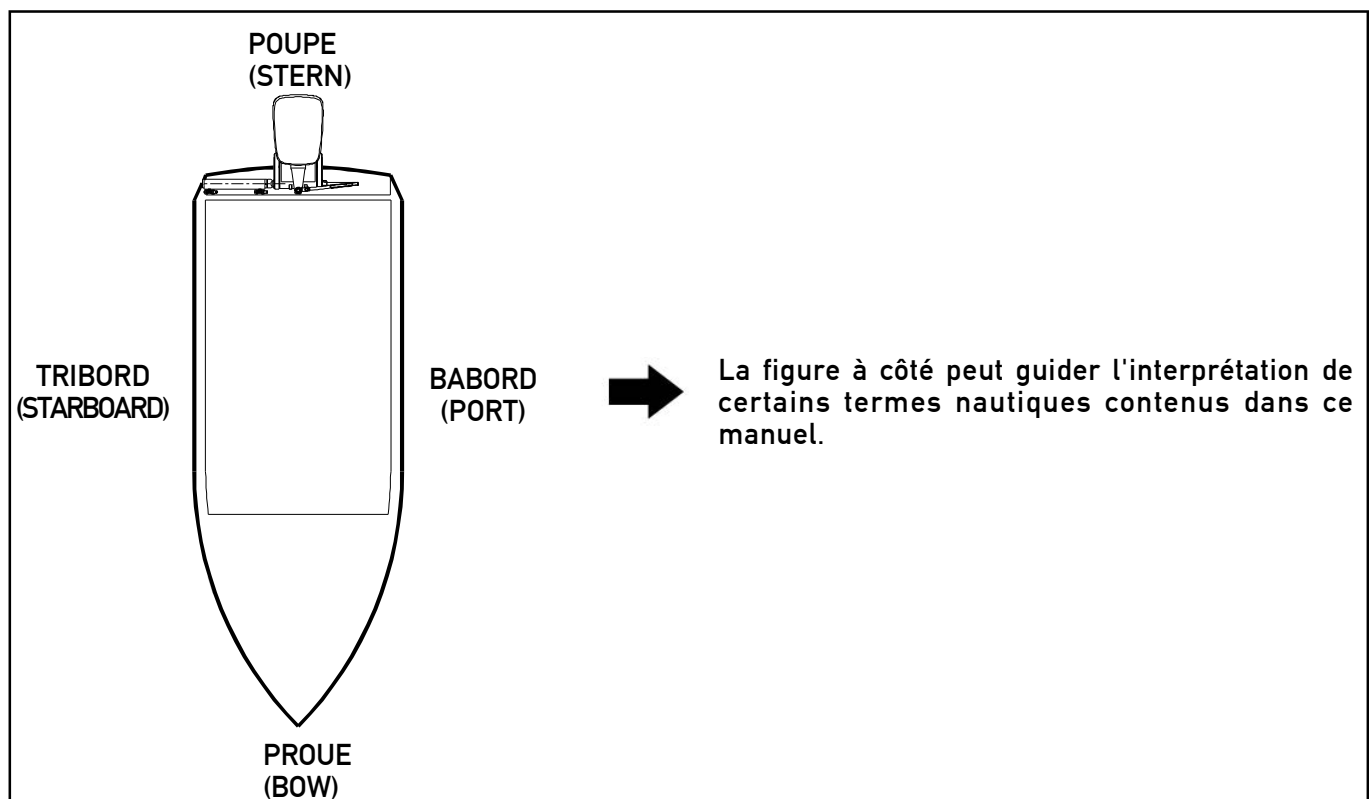
Une documentation additionnelle appelée "Application Guide" et "Spare Parts List" est jointe à ce manuel.

EMPLOI DU MANUEL ET SYMBOLES UTILISES

Le MANUEL D'INSTALLATION ET D'ENTRETIEN est le document qui accompagne le produit de sa vente jusqu'à son remplacement et sa démolition. C'est donc une partie fondamentale du manuel lui-même. Il faut lire le manuel avant TOUTE ACTIVITE concernant le produit y compris sa manutention et son déchargement du moyen de transport.

Les symboles ci-dessous ont été adoptés dans le manuel afin d'assurer la sécurité de l'utilisateur et le fonctionnement correct du produit.

- | | | |
|---|---|--|
|  DANGER | ➔ | Domages immédiats qui CAUSENT des blessures graves à la personne ou bien qui en provoquent la mort. |
|  AVERTISSEMENT | ➔ | Il indique qu'il y a un danger qui peut provoquer des lésions ou la mort si on n'adoptent pas les précautions appropriées. |
|  ATTENTION | ➔ | Il indique un appel à l'application de pratiques de sécurité ou il appelle l'attention sur des pratiques non sûres qui pourraient causer des lésions personnelles ou des dommages au bateau ou aux composants ou à l'environnement. |
| NOTE | ➔ | Information importante pour une installation adéquate et pour l'entretien, qui ne cause pas de dommages. |
|  | ➔ | Les opérations pour l'exécution desquelles on demande du personnel qualifié ou spécialisé, afin d'éviter toute sorte de risques, sont indiquées avec le symbole à côté. On recommande de former le personnel préposé à l'installation du produit et de vérifier si ce qui est prévu a été compris et mis en œuvre. |



LETTRÉ D'INFORMATION

Ce manuel d'installation et d'entretien est une partie intégrante du produit et il doit être facilement repérable par le personnel préposé à son emploi et à son entretien.

L'utilisateur doit connaître le contenu de ce manuel.

La Société **ULTRAFLEX** décline toute responsabilité en cas d'inexactitudes dues à des fautes d'impression, contenues dans le manuel. Bien que les caractéristiques principales du type de produit décrit ne changent pas, la Société **ULTRAFLEX** se réserve le droit de modifier les descriptions, les détails et les illustrations qu'elle jugera nécessaires afin de l'améliorer, soit pour des exigences de caractère constructif ou commercial, dans n'importe quel moment et sans être obligé de mettre à jour le manuel tout de suite.

TOUS LES DROITS SONT RESERVES. Les droits de publication, les marques, les sigles et les photos des produits **ULTRAFLEX** contenus dans ce manuel appartiennent à la Société **ULTRAFLEX** qui en interdit toute sorte de reproduction même partielle. Tous les soins ont été pris pour rassembler et contrôler la documentation contenue dans ce manuel afin de le rendre le plus complet et le plus compréhensible possible. Rien de ce qui est contenu dans cette publication ne peut être interprété comme garantie ou condition explicite ou implicite - y compris, pas en voie limitative, la garantie d'aptitude pour un but particulier. Rien de ce qui est contenu dans cette publication ne peut être interprété comme modification ou assertion des termes de n'importe quel contrat d'achat.

AVERTISSEMENT

Le produit doit être installé par du personnel formé afin d'assurer son fonctionnement correct et celui de ses composants. En cas de rupture de parties ou de mauvais fonctionnement, s'adresser au personnel spécialisé ou contacter notre Service d'Assistance Technique.

SERVICE ASSISTANCE TECHNIQUE

UFLEX S.r.l.

Via Milite Ignoto,8A
16012 Busalla (GE)-Italia
Tel: +39.010.962.01
Fax: +39.010.962.0333
Email: service@ultraflexgroup.it
www.ultraflexgroup.it

Amérique du nord - du sud - centrale: UFLEX USA

6442 Parkland Drive
Sarasota, FL 34243
Tel: +1.941.351.2628
Fax: +1.941.360.9171
Email: sales@uflexusa.com
www.uflexusa.com

GARANTIE

La Société **ULTRAFLEX** garantit que ses produits sont fabriqués à règles d'art et qu'ils n'ont aucun défaut de fabrication et de matériels.

Cette garantie a une validité de deux années à partir de la date de fabrication des produits à l'exception des cas où ils sont installés et utilisés sur des bateaux de travail ou de commerce, car alors la garantie est limitée à une année de la date de fabrication.

Dans le cas où, pendant cette période le produit s'avérerait défectueux à cause des matériaux utilisés ou et présente des vices de fabrication, le fabricant le remplacera ou le réparera gratuitement.

Tout autre dommage direct ou indirect est exclu de la garantie. En particulier la Société constructrice n'est pas responsable et cette garantie ne couvre pas les dommages dérivant d'une installation incorrecte ou d'un emploi inadéquat ou abusif des produits (à l'exception du remplacement ou de la réparation des pièces défectueuses dans les termes et les délais susmentionnés).

Cette garantie ne couvre pas les produits installés sur des bateaux de course ou utilisés pour des compétitions. Les descriptions et les illustrations contenues dans ce manuel sont seulement à titre indicatif.

Pour toute information détaillée contacter notre Service d'Assistance.

Les composants des systèmes de conduite **ULTRAFLEX** sont pourvus de la marque **CE** en conformité avec la directive 2013/53/UE.

On rappelle que sur les bateaux pourvus de la marque CE il est obligatoire d'installer des systèmes de conduite dont les composants sont marqués CE. Nous vous informons que la garantie **ULTRAFLEX** échoit automatiquement au cas où certains composants **ULTRAFLEX** seraient installés dans un système de gouvernail avec des produits de marques différentes.



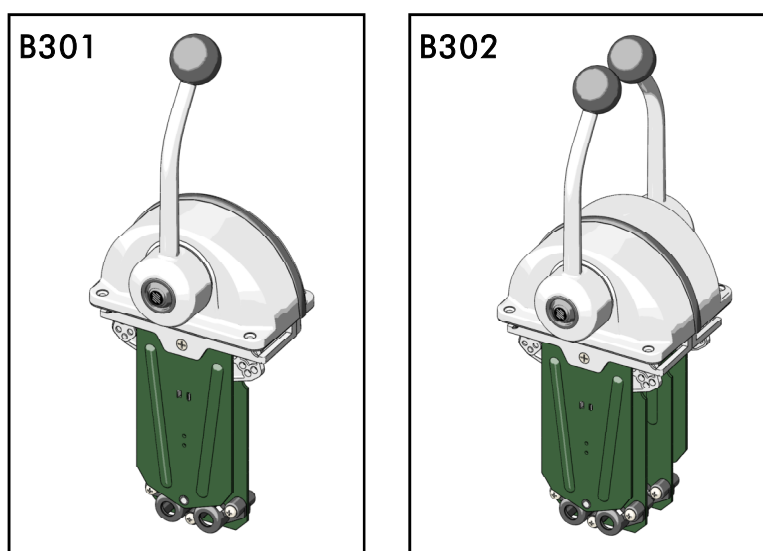
1 DESCRIPTION DU PRODUIT

1.1 Description du produit et recommandations sur l'emploi

La manette mono-levier B301 et la manette mono-levier pour double moteur B302 sont conçues pour le contrôle du gaz et de l'inverseur. Elles sont indiquées pour n'importe quel type de bateau avec moteur hors-bord, in-bord et semi hors-bord. Les manettes peuvent utiliser tous les câbles Ultraflex pour le contrôle moteur à l'exception du C4; le kit K59, nécessaire pour la connexion des câbles Ultraflex C2, C8, C0, Mach 0, est fourni avec les deux modèles.

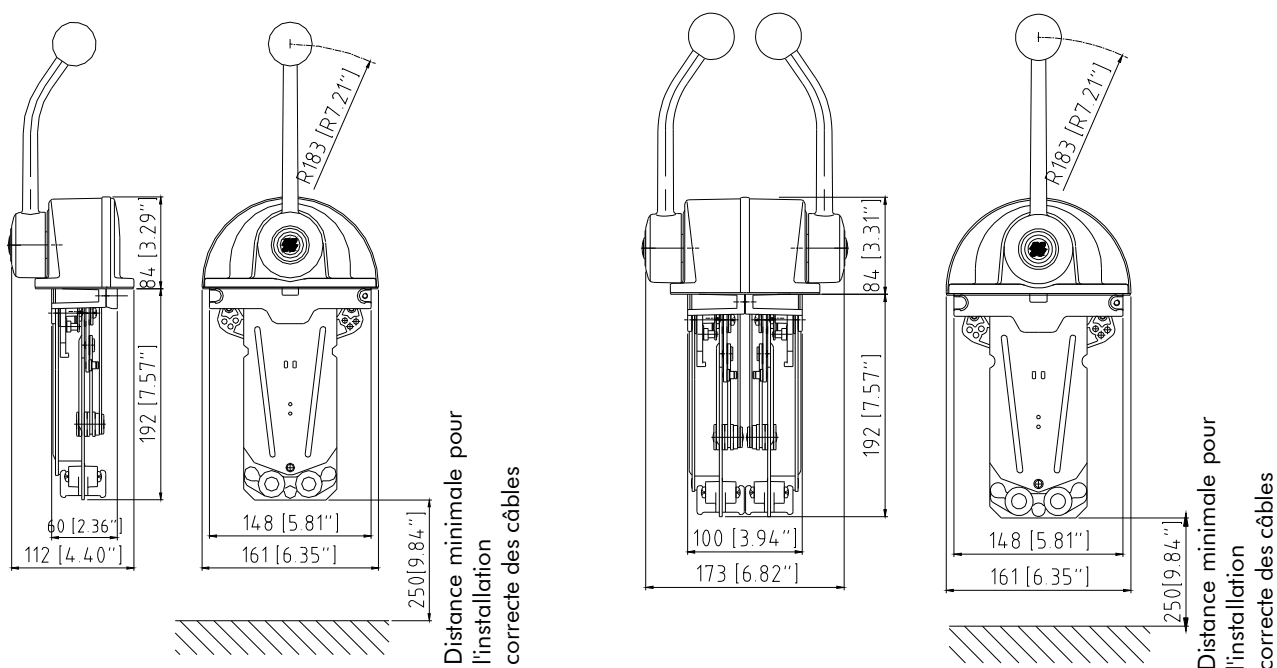
Pour les autres câbles les kits suivants sont prévus sur demande:

- K 60 pour les câbles Ultraflex C5 - C16 - MACH 5;
- K 61 pour les câbles Ultraflex C22;
- K 62 pour les câbles Ultraflex C36 - MACH 36.
- Les câbles C14 et MACH14 ne demandent aucun kit pour l'installation.



1.2 Dimensions

Les figures ci-dessous indiquent les dimensions des manettes mono-levier B301 et B302.



2 TRANSPORT

2.1 Avertissements généraux

Le poids du produit avec son emballage est 2,5Kg (5,5 livres), il peut donc être manutentionné manuellement.

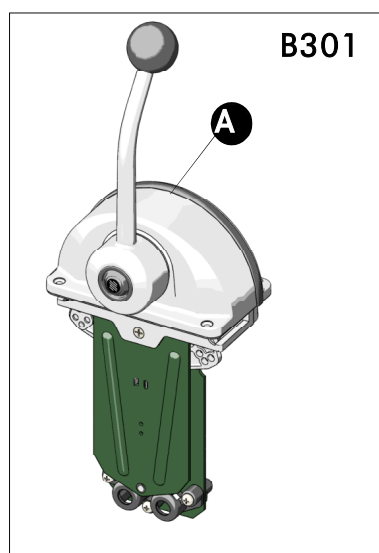
⚠ AVERTISSEMENT

Le personnel chargé de la manipulation de l'installation doit porter des gants de protection et des chaussures de sécurité.

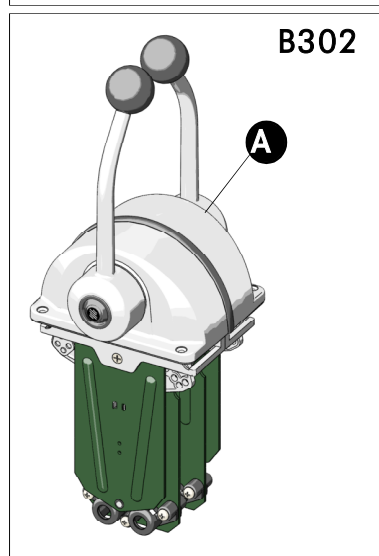
2.2 Contenu emballage

Avant de commencer l'installation de l'appareillage s'assurer qu'il ne soit pas endommagé à cause du transport ou des conditions de conservation. Vérifier aussi que tous les composants faisant partie de l'équipement standard soient dans l'emballage (voir liste). En cas d'endommagement, notifier la réclamation au transporteur et informer votre fournisseur.

Contenu des emballages des manettes:

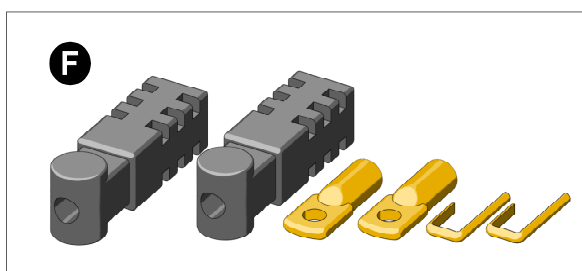
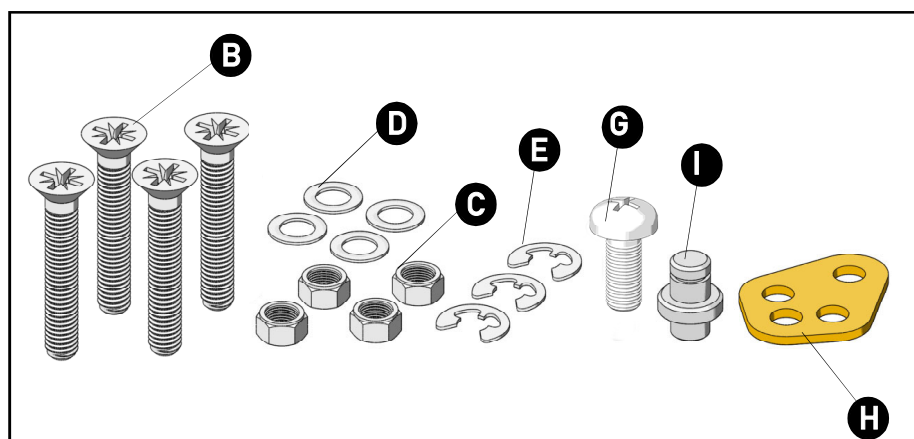


B301



B302

REF	B301	B302
A	1 manette	1 manette
B	4 vis M5x35	4 vis M5x35
C	4 écrous M5	4 écrous M5
D	4 rondelles	4 rondelles
E	3 bagues d'arrêt	6 bagues d'arrêt
F	1 kit K59 pour installation câbles	2 kits K59 pour installation câbles
G	1 vis M5x12	2 vis M5x12
H	1 plaquette de serrage câble	2 plaquettes de serrage câble
I	1 pivot de serrage câble	2 pivots de serrage câble



⚠ ATTENTION

L'emballage doit être éliminé en conformité avec les directives en vigueur.



3 INSTALLATION

3.1 Outils nécessaires



Tournevis étoile



Pince



Clé hexagonale 8mm [0.31"]



Clé à tube 17mm [0.66"]

3.2 Positionnement de la manette



1 Positionner la manette de sorte à permettre la rotation complète du levier de la position "marche avant" à la position "marche arrière" et vice versa.

2 Voir les dimensions d'encombrement indiquées au paragraphe 1.2 pour s'assurer que la manette puisse être effectivement installée dans la position choisie.

⚠ AVERTISSEMENT

Eviter qu'une fois installé le câble présente des courbes trop étroites.

3 Après avoir choisi la position adéquate, effectuer le forage nécessaire à l'insertion de la manette à l'aide du gabarit adéquat.

Pour l'installation des manettes simples et doubles voir les gabarits joints.

NOTE

Connecter les câbles à la manette avant de fixer l'ensemble sur le tableau de bord.

⚠ ATTENTION

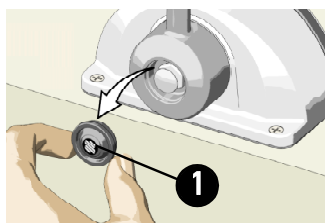
Pour toutes les installations de manettes ULTRAFLEX, on recommande d'utiliser un système adéquat de "killing switch".

3.3 Reglage de l'inclinaison du levier

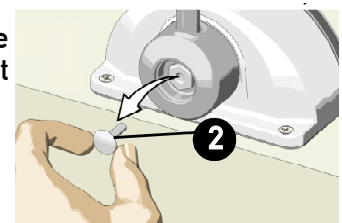


On peut modifier l'inclinaison du levier aussi bien en avant qu'en arrière en fonction du positionnement de la manette. Procéder de cette façon:

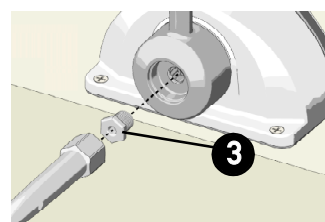
1 Enlever le capuchon en caoutchouc qui se trouve sur le moyeu du levier (1).



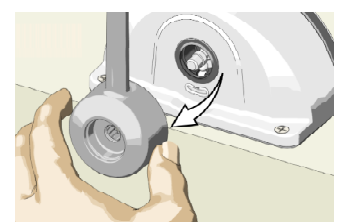
2 Extraire complètement le pivot en plastique (2).



3 Dévisser complètement la vis à tête hexagonale (3) à l'aide d'une clé au moyen d'une clé à tube de 17.



4 Extraire le levier et le faire pivoter dans la position choisie, ensuite le réinsérer en faisant correspondre les dents de l'arbre avec les dents à l'intérieur du moyeu.



- Appliquer du frein filet **faible** (Loctite 222) sur la vis (3) et la visser complètement. Insérer le pivot sur la vis (2). Insérer le capuchon en caoutchouc (1).

⚠ AVERTISSEMENT

Vérifier que l'inclinaison du levier n'empêche pas le levier lui-même d'effectuer l'excursion angulaire d'environ 180° complète nécessaire pendant la manoeuvre.

3.4 Positionnement des câbles de contrôle



- Etendre les câbles de contrôle selon un parcours présentant le minimum de courbes et entièrement dépourvu d'obstacles.

⚠ AVERTISSEMENT

Eviter toute courbe trop étroite (rayon de courbure minimum 203 mm (8")).

NOTE

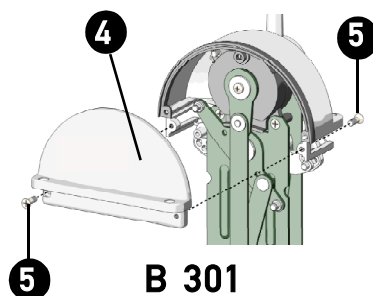
Pour les installations sur des moteurs hors-bord laisser aux câbles une longueur additionnelle d'environ 120 cm (47") de sorte à permettre les mouvements du moteur.

Les câbles peuvent être fixés au moyen de crampillons (fournis séparément) ou en les faisant passer à travers des parties de conduit (fournis séparément eux aussi) dans les sections longues et sans courbes.

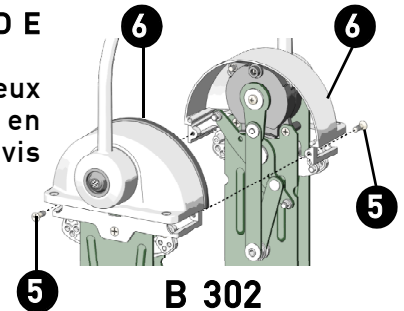
⚠ AVERTISSEMENT

Afin d'éviter toute sorte de durcissement de la manette ne pas fixer les câbles près de la sortie de la manette elle-même (distance minimum pour la fixation 500mm) et en tout cas n'utiliser aucun système de fixation qui pourrait déformer la gaine.

- COMMANDE B301:** Enlever le couvercle postérieur (4) de la manette en dévissant les vis (5) de sorte à atteindre librement les éléments où les câbles seront fixés.



- COMMANDE B302:** Séparer les deux manettes (6), en enlevant les vis (5).



- Un kit d'accessoires est prévu pour chaque modèle de câble permettant de connaître le câble lui-même à la (les) manette (s). Le kit K59 est fourni avec les mono-leviers B301 et B302.

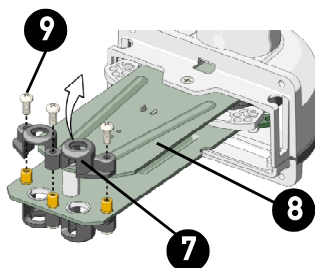
Pour installer les câbles sur la (les) manette (s) suivre les instructions fournies avec chaque kit. Pour l'installation des câbles C14 et MACH14 suivre les instructions données au paragraphe suivant.

3.5 Installation câbles C14 et Mach14

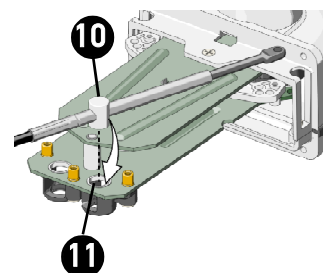


3.5.1 Connexion du câble pour le contrôle de l'inverseur

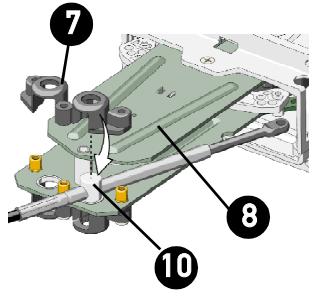
- Positionner la manette sur une surface (le logo Ultraflex présent sur le moyeu du levier doit être vers le haut). Enlever la butée de gaine (7) de la plaque (8) en dévissant les vis (9).



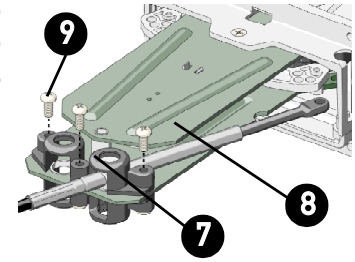
- Connecter le câble de sorte que l'élément cylindrique du connecteur (10) soit placé à l'intérieur du trou (11) de la plaque.



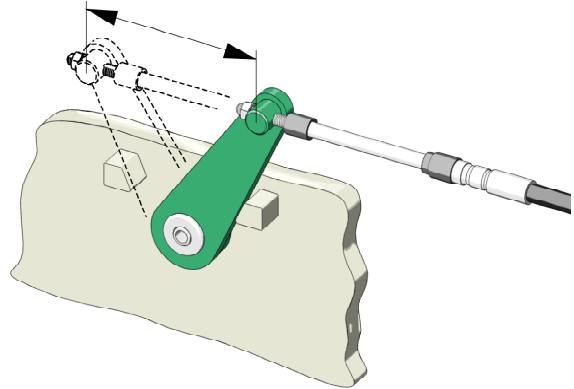
3 Repositionner la butée de gaine (7) sur la plaque (8) en alignant l'élément cylindrique du connecteur (10) avec le trou de la butée de gaine.



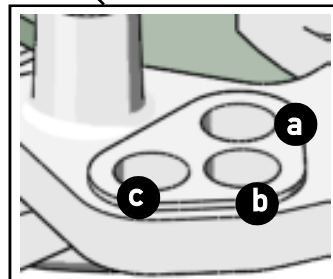
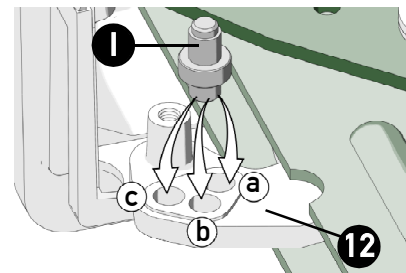
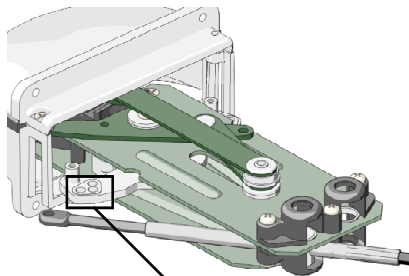
4 Fixer la butée de gaine (7) à la plaque (8) en serrant les vis (9).



5 Mesurer sur le moteur la course du levier de l'inverseur de la marche avant à la marche arrière. Considérer les courses disponibles sur le mécanisme à contrôler et choisir la course la plus proche; par exemple si la course mesurée sur le moteur, d'un fin de course à l'autre est 67 mm, le câble devra être connecté au trou le plus intérieur (course 68 mm); au cas où une course de 70 mm serait mesurée, vérifier si la course de 68 mm sur le mécanisme est suffisante sinon connecter le câble au trou central (course 76 mm); quelques millimètres (5-6) de course excédentaire sur le mécanisme à contrôler sont compensés par le jeu du câble.



6 Renverser la manette (mécanisme intérieur tourné vers le haut). Insérer le pivot (1) dans un des trous (a), (b), ou (c) présents sur le balancier inverseur de la manette (12).



NOTE

Le trou est choisi en fonction de la course qu'on veut faire effectuer au câble (se référer au tableau ci-dessous):

TROU	a	b	c
COURSE [mm]	68	76	82

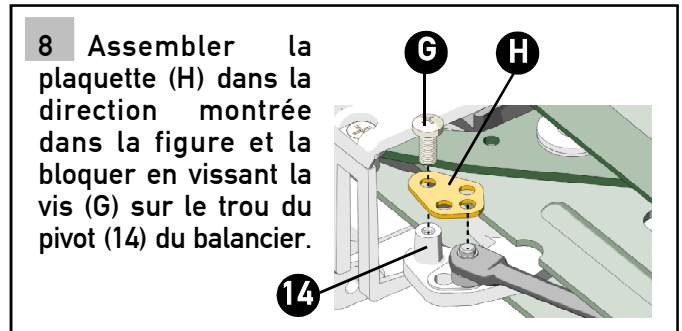
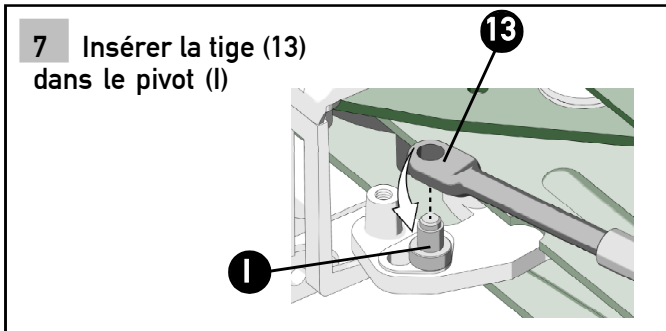
⚠ AVERTISSEMENT

Régler la course du câble de commande de l'inverseur de sorte à ne pas produire de forçages sur les fins de course du levier sur le moteur.

La non-observation de cette recommandation cause des mauvais fonctionnements du système de contrôle, tels que:

- Résistance élevée lors de l'entraînement du levier
- Usure précoce du mécanisme qui peut provoquer son blocage.

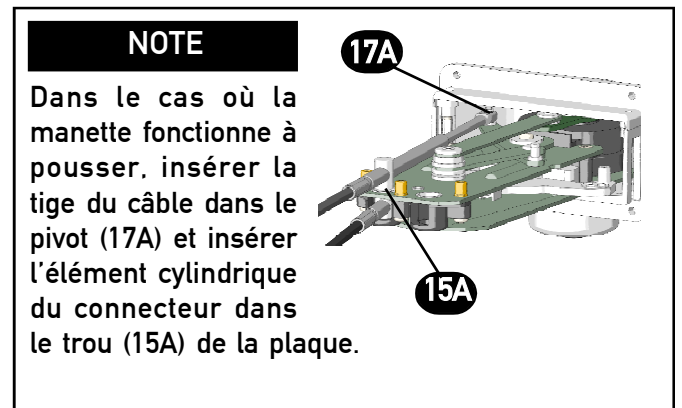
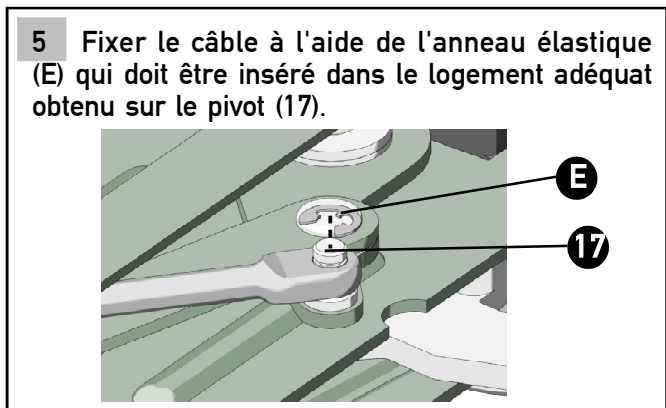
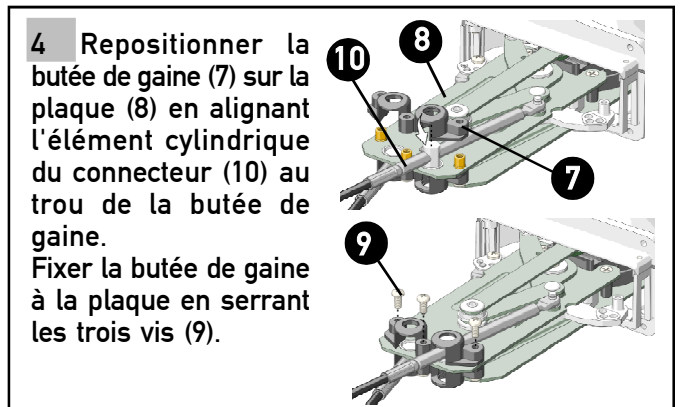
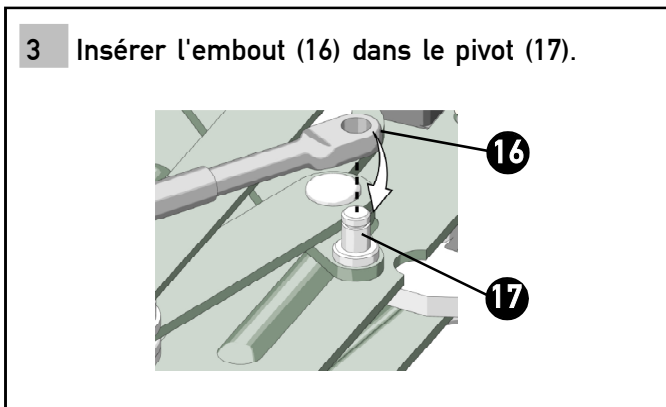
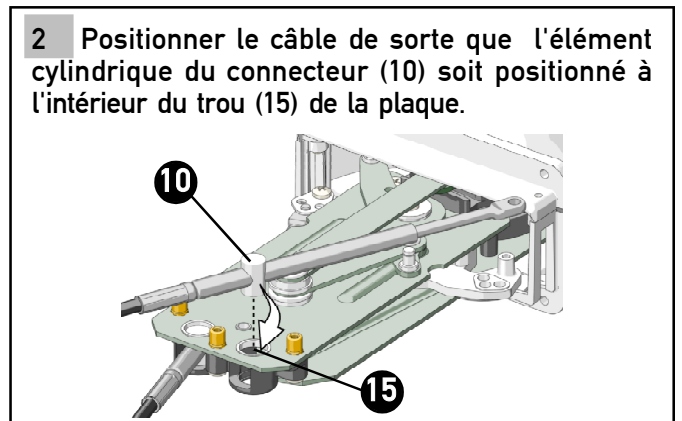
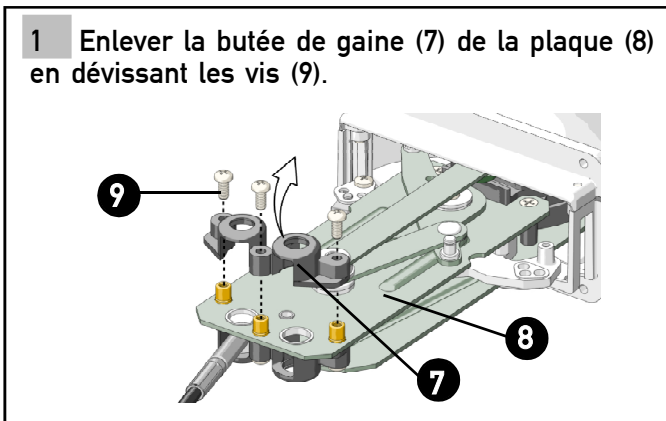




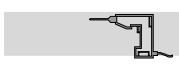
⚠ AVERTISSEMENT

Vérifier le réglage correct de la course de l'inverseur et s'assurer que la condition suivante soit respectée: Pendant l'insertion de l'inverseur le mouvement du levier doit être toujours fluide, son résistance doit être constante et il ne doit rencontrer aucune résistance en continuant à tourner le levier lui-même en fonction d'accélérateur. Dans le cas contraire contrôler la correspondance de la course entre manette et inverseur sur le moteur.

3.5.2 Connexion du câble pour le contrôle du gaz



FRANÇAIS



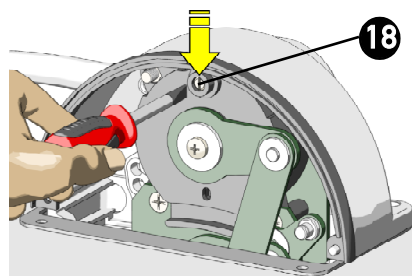
3.6 Réglage du dispositif d'embrayage



Les manettes B301 et B302 permettent de régler le dispositif d'embrayage de l'accélérateur: pour faire cela procéder de la façon suivante:

1 Faire pivoter le levier en position correspondante à la moitié de l'accélérateur;

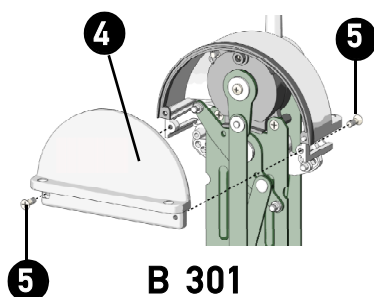
2 A l'aide d'un tournevis serrer le goujon (18) afin d'obtenir le durcissement de l'embrayage, ou le dévisser pour obtenir un mouvement plus souple. Pour vérifier le degré de friction du levier, déplacer ce dernier alternativement dans le sens des aiguilles d'une montre et dans le sens contraire des aiguilles d'une montre. LE REGLAGE DE L'EMBRAYAGE DOIT ETRE EFFECTUE AVEC LE MOTEUR ETEINT ET LE LEVIER EN POSITION ACCELEREE.



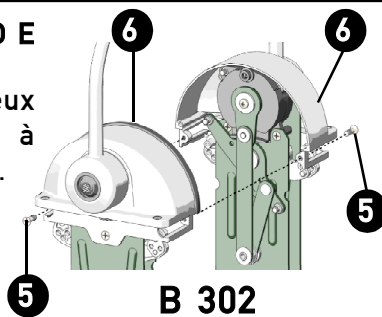
⚠ ATTENTION

IGNORER CETTE PRECAUTION LE SYSTEME POURRAIT S'ENDOMMAGER.

3 **COMMANDE B301:** Repositionner le couvercle postérieur (4) en le fixant à l'aide des vis (5).



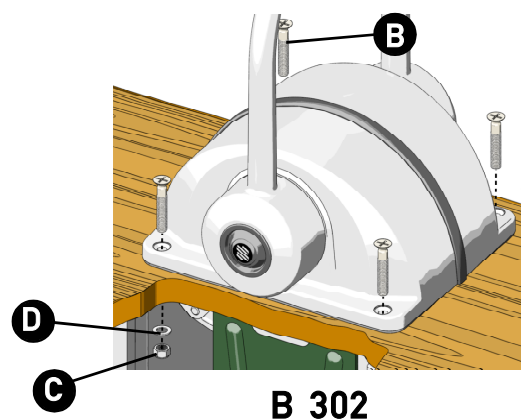
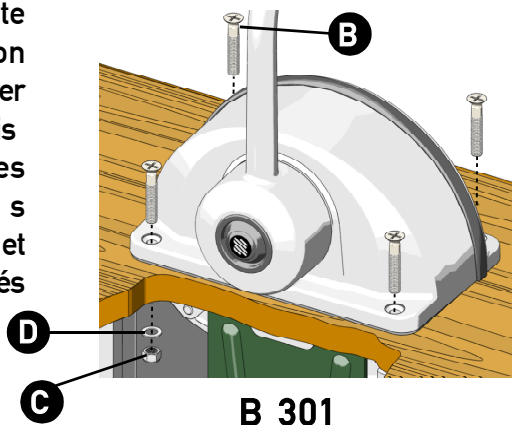
COMMANDE B302: Unir les deux manettes (6) à l'aide des vis (5).



3.7 Fixation de la manette au tableau de bord



1 Insérer la manette dans la position choisie, ensuite insérer et visser les quatre vis M5x35 (B) avec les rondelles correspondantes (D) et les écrous autofreinés correspondants (C).



2 Positionner l'adhésif fourni sur la couverture chromée.



3.8 Installation de l'interrupteur de sécurité neutre



Ce dispositif optionnel permet de démarrer le moteur seulement avec l'inverseur en position de "fou", en évitant tout mouvement dangereux du bateau.

Pour l'assemblage, procéder de la façon suivante:

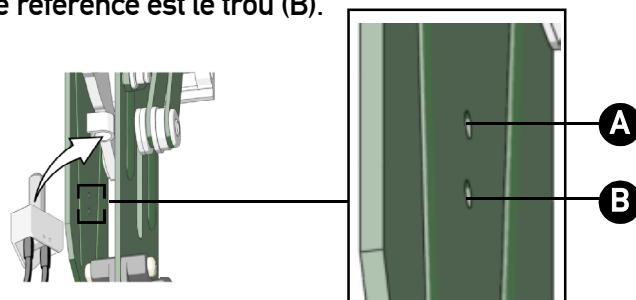
1 Positionner le levier en avant sorte à voir les trous présents sur la plaque (20) à travers la fente (19).

2 Positionner le dispositif (23) sur la plaque (22) en insérant le cylindre (24) à l'intérieur du guide en plastique adéquat (25).

3 Insérer la vis (21) à travers la fente présente sur la plaque (26), dans le trou de l'interrupteur et le fixer sur la plaque (22). Insérer l'écrou (27) du côté extérieur de la plaque (22) et serrer la vis (36).

NOTE

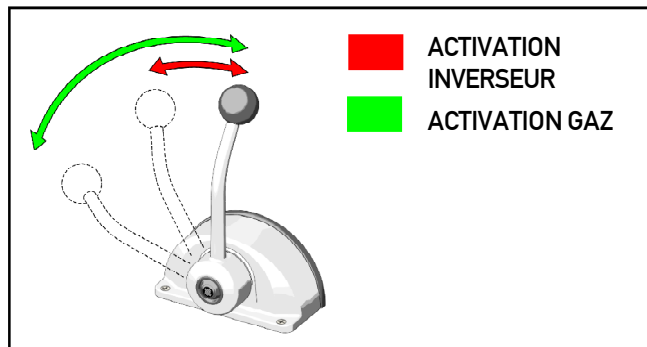
En phase d'installation de l'interrupteur X12, l'ensemble vis et écrou doit être inséré dans le trou (A). Pour l'interrupteur X41, le trou de référence est le trou (B).



4 EMPLOI

4.1 Emploi du levier

La course du levier est divisée en deux mouvements pendant lesquels l'inverseur est habilité dans la première phase et l'accélérateur est habilité dans la deuxième phase. En positionnant le levier en avant le bateau avance, alors qu'en le positionnant à l'arrière la marche arrière du bateau est activée. Pour activer l'accélérateur sans engager une vitesse, il faut presser le bouton placé sur la partie inférieure du levier et simultanément placer en avant le levier lui-même.



⚠ DANGER

Avant de démarrer le moteur, si la manette n'a pas d'interrupteur de sécurité, s'assurer qu'il soit au point mort.

5 AVERTISSEMENTS DE SECURITE

Cette section décrit les normes de sécurité à suivre pour utiliser correctement l'appareillage. On recommande de lire cette section avec beaucoup d'attention. On recommande aussi de lire les manuels fournis avec les autres composants du système de gouvernail.

5.1 Normes de sécurité pendant l'installation et l'emploi

RESPECTER RIGOREUSEMENT les précautions et les critères de sécurité indiqués ci-dessous.

La Société **ULTRAFLEX** décline toute responsabilité au cas où l'utilisateur ne les respecterait pas; elle n'est pas non plus responsable pour tout type de négligence commise pendant l'emploi du système.

⚠ DANGER

- **NE PAS INSERER LES MAINS ENTRE LES ORGANES EN MOUVEMENT.**
- Ne pas désactiver ou déconnecter les dispositifs de sécurité.
- Ne pas modifier ou ajouter n'importe quel dispositif au système, sans autorisation écrite ou intervention technique de la Société **ULTRAFLEX** qui atteste dans la description de l'intervention la modification effectuée.
- Ne pas utiliser l'appareillage pour un but différent de celui auquel il a été destiné et qui est spécifié dans le manuel d'installation et d'entretien.
- Ne pas faire exécuter l'installation par du personnel pas spécialisé.

⚠ AVERTISSEMENT

- Pendant l'installation du système faire très attention à nettoyer à fond afin d'éviter que n'importe quel corps étranger puisse entrer dans le système lui-même. Même l'objet le plus petit pourrait provoquer des dommages permanents qui ne sont pas détectés immédiatement.
- Eviter tout rayon de courbure des câbles <200 mm (8").
- Eviter le contact des câbles avec des bords ou des arêtes de coupe.
- Eviter le contact des câbles avec les sources de chaleur.

5.2 Habillement

⚠ AVERTISSEMENT

Pendant les phases d'installation, inspection ou entretien, IL EST RIGOREUSEMENT INTERDIT de porter de colliers, de bracelets ou de vêtements qui pourraient s'engager dans les parties en mouvement.



6 ENTRETIEN

6.1 Entretien ordinaire



⚠ AVERTISSEMENT

La non-observation des contrôles d'entretien peut causer la perte de guidage avec des dommages matériels et/ou des lésions personnelles.

Les conditions requises pour l'entretien varient selon le climat, la fréquence et le mode d'emploi. Des inspections au moins annuelles sont nécessaires; elles doivent être effectuées par un mécanicien nautique spécialisé.

Effectuer les opérations d'entretien suivantes:

- Périodiquement laver avec de l'eau et du savon les composants en enlevant tout dépôt de sel éventuel;
- Tous les mois contrôler et si nécessaire serrer tous les écrous de fixation du système.

⚠ DANGER

Le desserrage ou la séparation des écrous de fixation peut causer non seulement le mauvais fonctionnement du système de gouvernail, mais aussi des dommages aux personnes et aux choses.

- Périodiquement vérifier l'absence de corrosion sur les parties métalliques des extrémités des câbles et d'abrasions sur la gaine.
- Remplacer les parties endommagées qui peuvent compromettre l'intégrité du système de gouvernail.

6.2 Entretien extraordinaire



Assistance technique

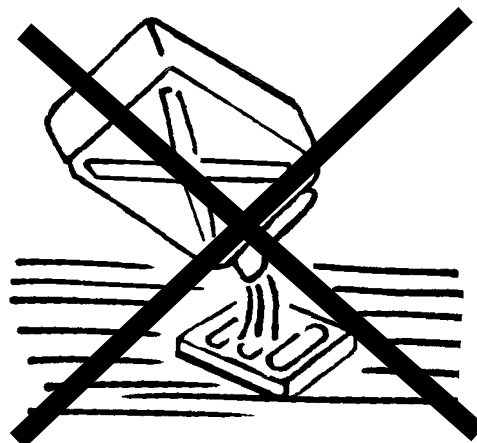
Pour toute information ou pour l'assistance relative à des applications particulières, nous vous invitons à contacter notre service d'assistance technique (Voir paragraphe "Lettre d'information").

7 DEMOLITION

7.1 Démolition

Si le système de commande doit être mis hors service pour quelques raisons que ce soit, les règles fondamentales suivantes doivent être observées pour la protection de l'environnement.

Gaines, conduits flexibles, composants de matériel plastique ou non métalliques, devront être désassemblés et éliminés séparément.





ULTRAFLEX S.p.A.

16015 Casella (Genova) Italia - Via Crose, 2

