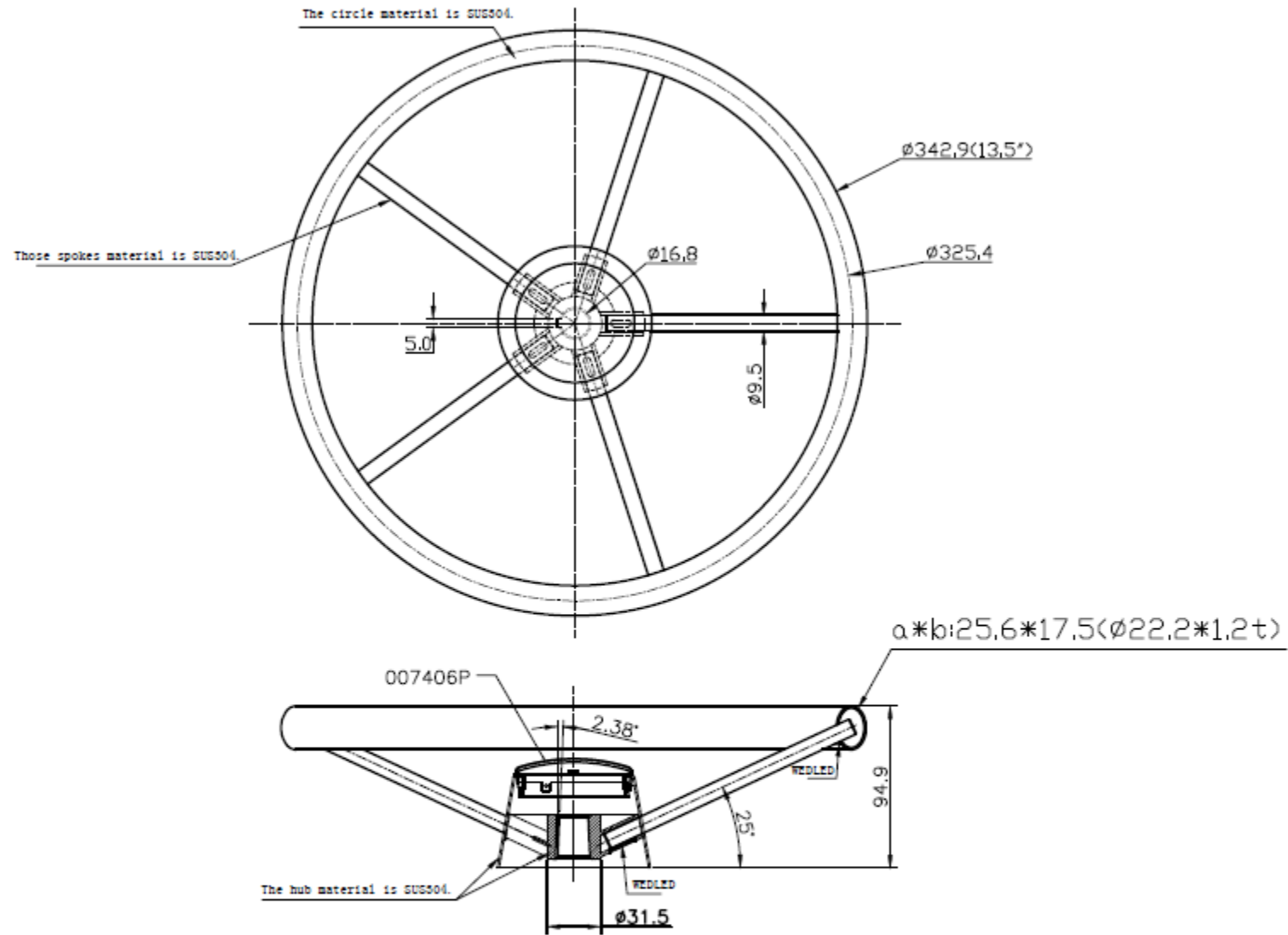


45.165.37



Unless otherwise specified; tolerances are:  
 1. Wall Thickness = ±5%  
 2. Angles = ±2°  
 3. Profile dimensions fit : ISO JS13  
 ★ INDICATES "CRITICAL TO QUALITY" DIMENSION  
 REMOVE BURRS AND SHARP CORNERS 0.10-0.25

13.5" WHEEL

Drawn: T.J.H	Date: 08.06.21	M'TL: SUS304	Scale: 1:1
Checked:	Date:	Weight: 990 g	Dimensions: M/M
Approved:	Date:	Finish:	SHEET OF
Projection:	A4H		