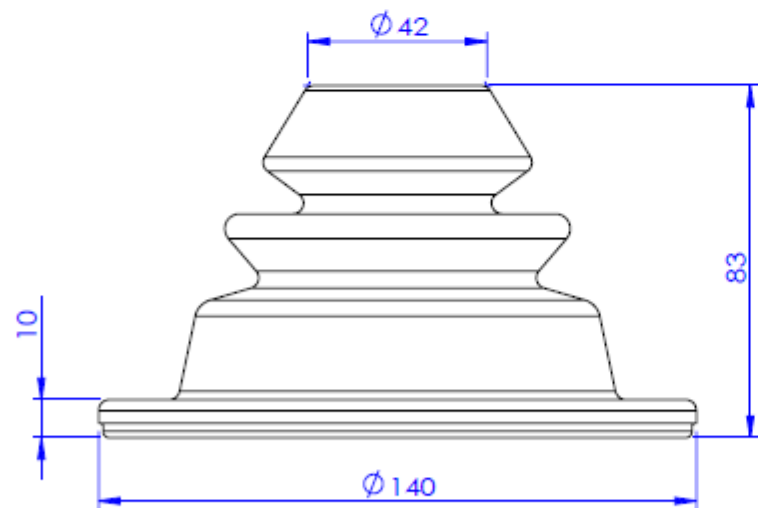
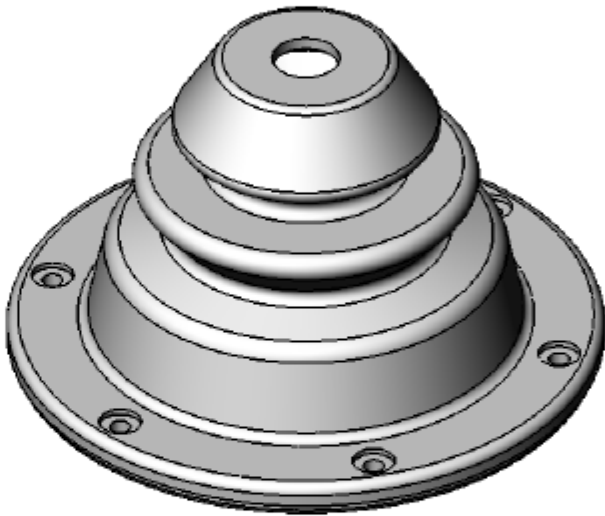
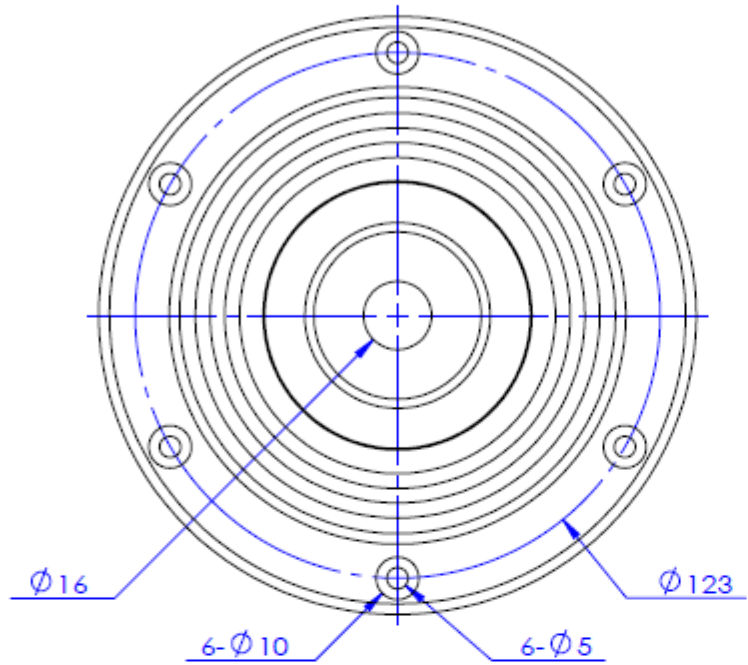


REVISIONS				
REV.	DESCRIPTION	BY	DATE	APPD.



DIMENSIONS ARE IN MM		NAME		DATE	
TOLERANCES: $\pm 0.5$ ONE PLACE DECIMAL $\pm 0.1$		DRAWN		2018/07/05	
SIZE		A4 SCALE 1:2		MATERIAL :	
A4 DO NOT SCALE DRAWING		列印日期: 2018/7/5		DWG NAME :	
					REV.
					A