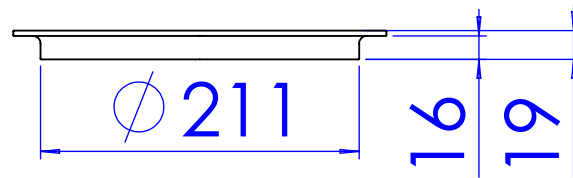
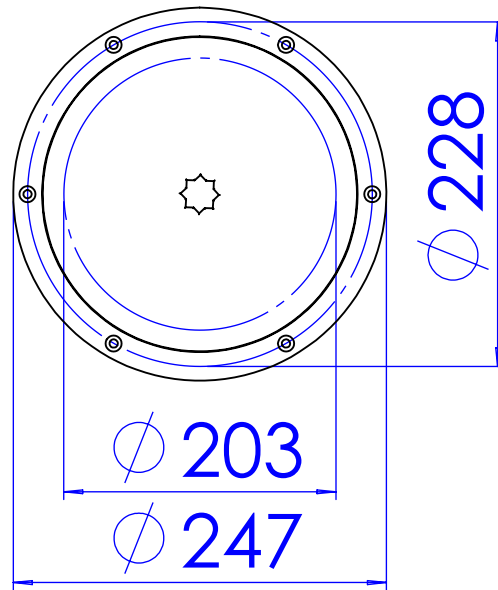


REVISIONS			
REV.	DESCRIPTION	BY	DATE



DIMENSIONS ARE IN MM			NAME	DATE	
TOLERANCES: ± 0.5		DRAWN		05/06/2020	
ONE PLACE DECIMAL ± 0.1		CHECKED			PART NO.
SIZE	DO NOT SCALE DRAWING	A4	SCALE 1:5	MATERIAL :	REV. A
				DWG NAME :	