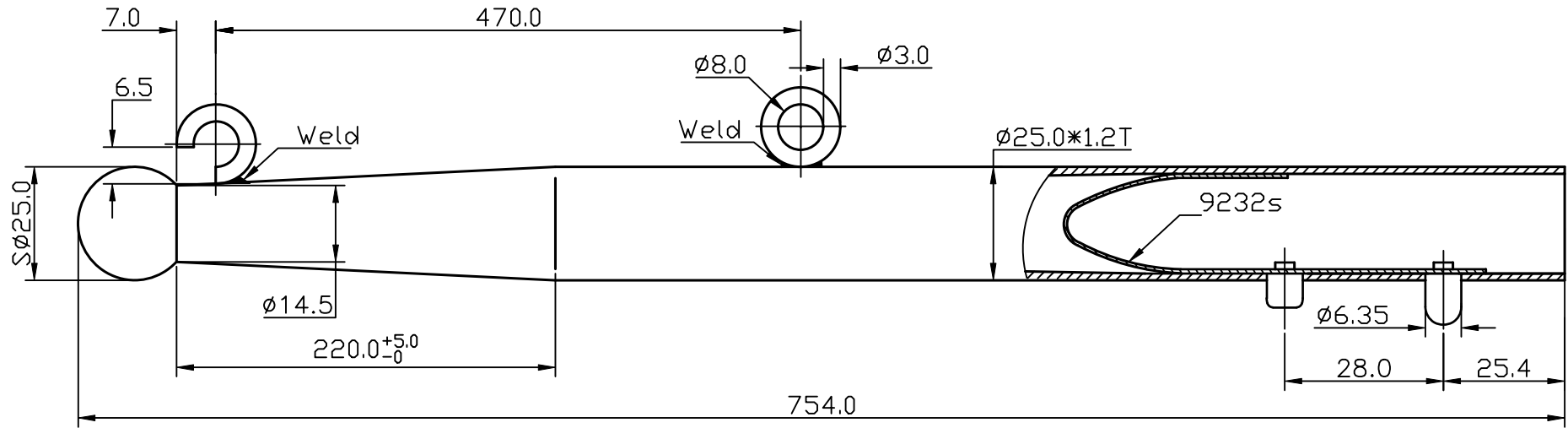


REVISIONS				
ZONE	LTR	DESCRIPTION	DATE	APPROVED



UNLESS OTHERWISE SPECIFIED: DIMENSION ARE IN M/M TOLERANCES: .X=±0.38 .XX=±0.25 .XXX=±0.127					
DRAWN	DATE 2004.09.03				
CHECKED		M'TL SUS304	Q'TY	DWG NO.	EDITION
APPROVED		W.T.	g	FINISH	A0
PROJECTION		SCALE	RELEASE DATE	SHEET	OF