

# LEWMAR®

---

## NEW STANDARD PORTLIGHT SEAL REPLACEMENT INSTRUCTIONS

### 1) Check the seal

Check that the seal you have received is the correct size for the portlight to which it is to be fitted (N.B the fitted seal is slightly stretched at the corners to prevent it wrinkling on the inside edge).

### 2) Remove the old seal

The seal is held in place by a hook in the rubber which fits into a cavity in the aluminium (see Fig 1). In addition silicone sealant has been applied to the cavity to aid assembly and help prevent leaks.

### 3) Clean the cavity in the aluminium

This may be done using a plastic scraper, extra attention should be given to the corners. Solvents should not be used to remove the old silicone sealant as it may attack or otherwise damage the anodised aluminium. It will also result in damage or increased weathering to the acrylic should it come into contact with the window.

### 4) Dry fit the seal

When fitted to the frame the join in the rubber seal and the air release holes should be positioned relative to the hinge and handle catches as shown in Figure 2.

Using your fingers, push the seal home starting from the middle of each edge and working towards the corners. If careful it is possible to feel the hook engage in the cavity. Push the seal home in the following order

- 1) hinge edge
- 2) handle edge (or for the Size 5 with handles on three edges, the edge opposite the hinge)
- 3) the remaining edges

If the seal will not locate at one point check that all the old sealant has been removed.

There should be an equal amount of seal left to be fitted to each corner. The seal will require stretching slightly to fit around the corners. This may be done using a "pusher" or "roller" tool, Figure 3 (NB excessive use of a roller tool with too sharp an edge may damage the surface of the seal)

When the seal is in place inspect closely from the outside with the window open and closed and from the inside. If an area of the seal is uneven it may indicate it is not properly installed.

Remove the seal

### 5) Applies sealant

Apply a bead of silicone sealant all the way around the inside of the cavity. Fit the seal as above, close the portlight and leave to dry for 24 hours.

When the silicone sealant has dried the portlight may be opened and a very thin coating of silicone grease applied to the hinge edge of the seal where it contacts the window. This provides some lubrication where the window slides across the seal as it closes.

For Figures see drawing (B5967-B) on reverse

# LEWMAR

B5967-B

## REPLACING NEW STANDARD PORTLIGHT SEALS

FIGURE 1

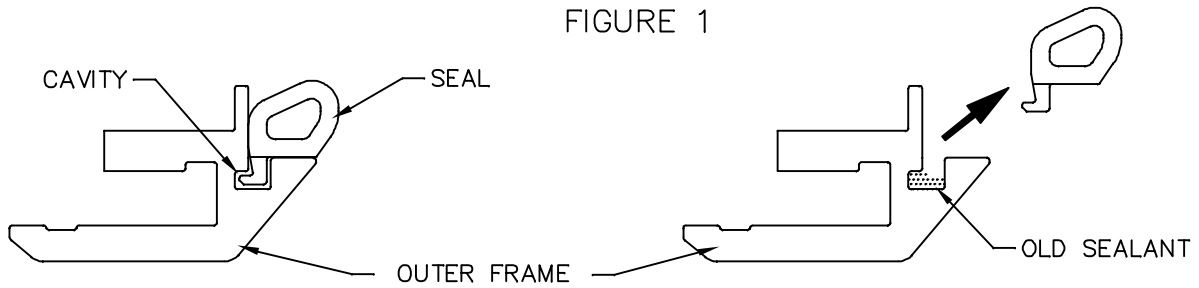


FIGURE 2

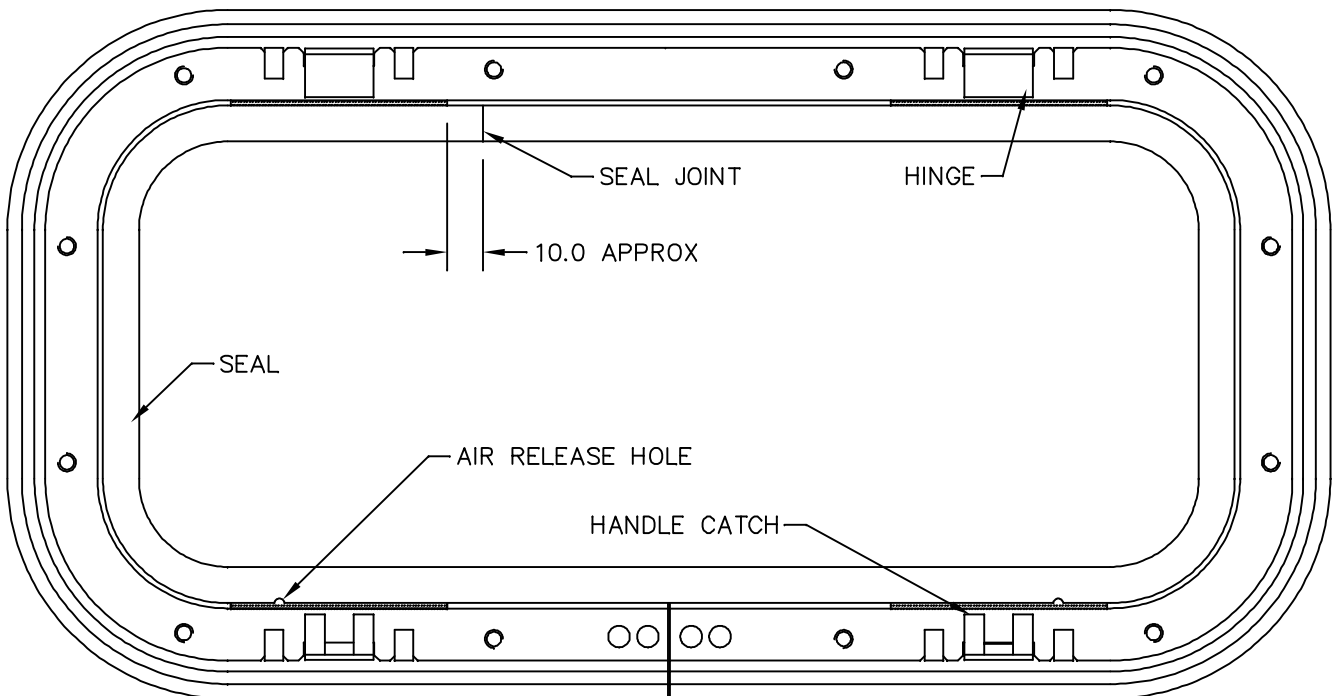
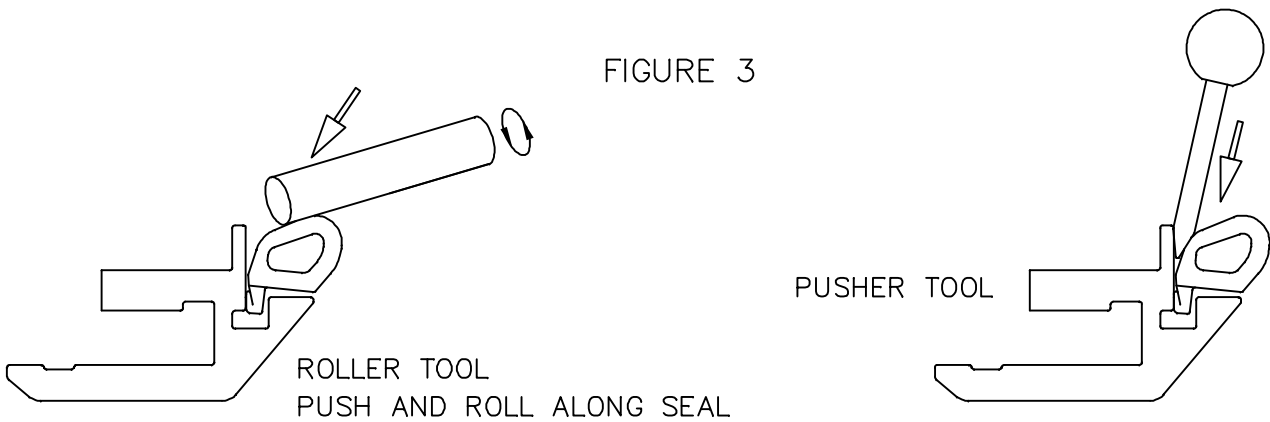


FIGURE 3



FOR TEXT SEE REVERSE (B5967-A)

REPLACEMENT SEALS

ISSUE

1

DATE

20.5.98