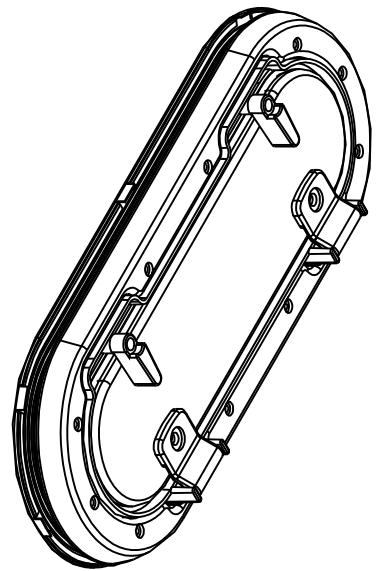
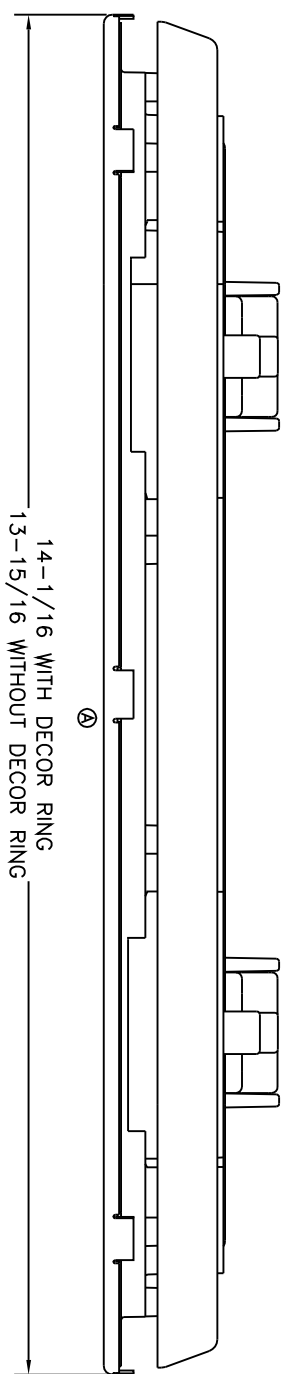
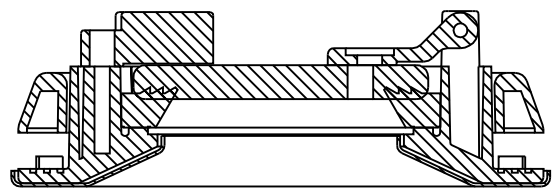
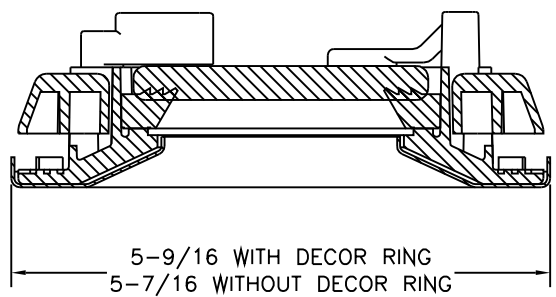
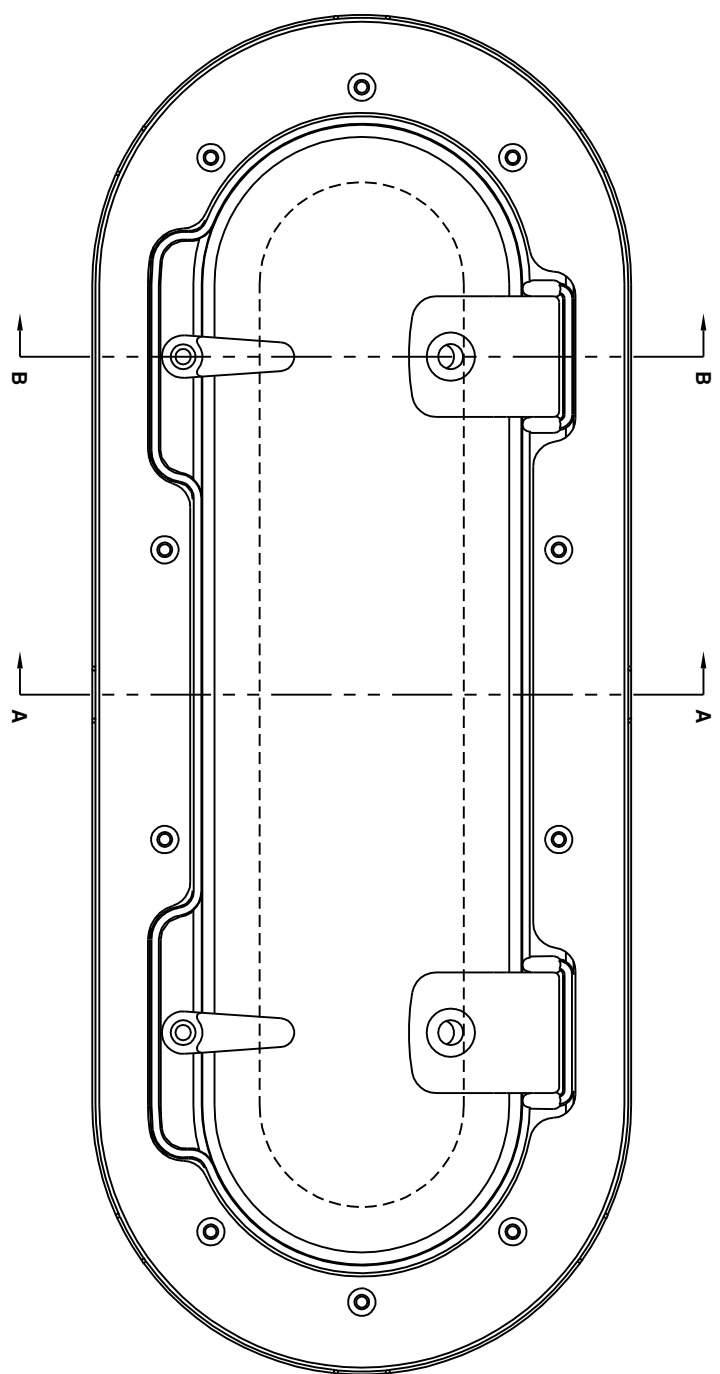


REV	DESCRIPTION	DATE
A	ADDED 2 TABS TO DECOR RING MODEL NUMBER 614 HAS "5 X 14"	7/15/99



SPGOT: 12-15/16 X 4-7/16, 2-7/32 CORNER RAD
 HULL CUTOUT: 13-1/16 X 4-9/16, 2-9/32 CORNER RAD

		Div. of Paramount, Inc. P.O. Box 100 Charleston, N.C. 28033 Ph. (603) 828 5791 Fax. (603) 828 5074	
TITLE	614 OVAL PORTLIGHT	DATE	3/18/99
SCALE	FULL	REV	1
PART NO.	614	DATE	3/18/99
REV	± 1/32	DATE	3/18/99
REV	.XXX ± .005	DATE	3/18/99
REV	.XXX ± .02	DATE	3/18/99
REV	± 0.5	DATE	3/18/99