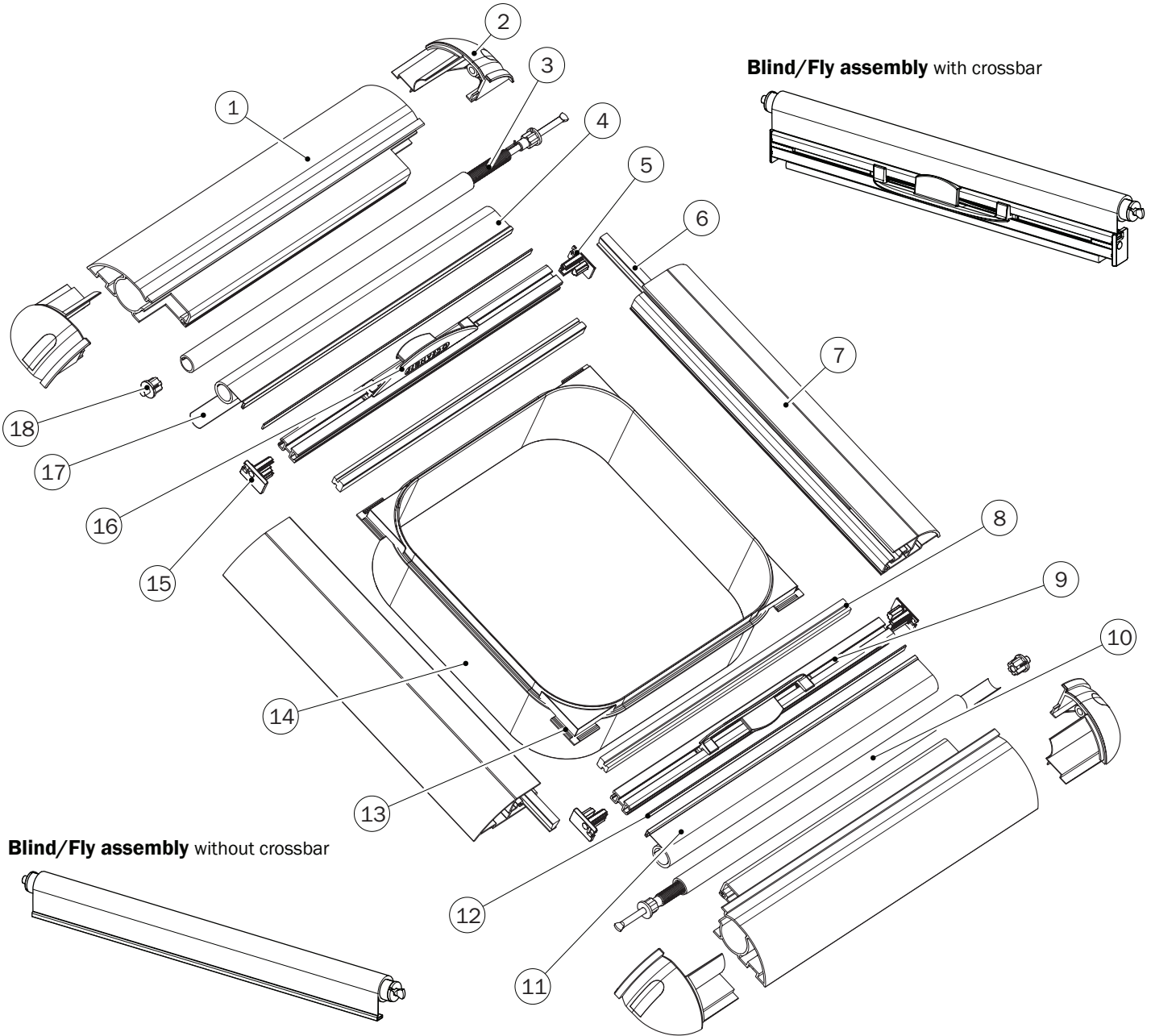


# SKYSCREEN Roller Surface Mk2 Parts Diagram



## Recommended Spare part Kits

\*\* replace with either standard size number or X/Y dimensions of screen

Oceanair Kit Part No.	Kit Description	Item No's
AC-SFSS-**-BLINDASS	Blind Assembly without crossbar	3, 4, 10, 12, 17, 18
AC-SFSS-**-FLYASS	Flyscreen Assembly without crossbar	3, 10, 11, 12, 17, 18
AC-SFSS-**-BLINDASS+XB	Blind Assembly with crossbar	3, 4, 5, 8, 9, 10, 11, 15, 16, 17, 18
AC-SFSS-**-FLYASS+XB	Flyscreen Assembly with crossbar	3, 5, 8, 9, 10, 11, 12, 15, 16, 17, 18
AC-SFSS-CORNER-B*4	Corner Moulding Kit, <b>Beige</b>	2
AC-SFSS-CORNER-W*4	Corner Moulding Kit, <b>White</b>	
AC-SFSS-HANDLE-W/B*2	Handle <b>White</b> or <b>Beige</b> ≤ May 2012	16
AC-SFSS-OA-HANDLE-W/B*2	Handle <b>White</b> or <b>Beige</b> ≥ June 2012	

Oceanair Kit Part No.	Kit Description	Item No's
AC-SFSS-R30-ADAPTORS B*4	<b>R30</b> Radius adaptor <b>Beige</b> (4 off)	13
AC-SFSS-R30-ADAPTORS W*4	<b>R30</b> Radius adaptor <b>White</b> (4 off)	
AC-SFSS-R42 ADAPTORS-B*4	<b>R42</b> Radius adaptor <b>Beige</b> (4 off)	
AC-SFSS-R42 ADAPTORS-W*4	<b>R42</b> Radius adaptor <b>White</b> (4 off)	
AC-SFSS-R50 ADAPTORS-B*4	<b>R50</b> Radius adaptor <b>Beige</b> (4 off)	2 (Cover only)
AC-SFSS-R50 ADAPTORS-W*4	<b>R50</b> Radius adaptor <b>White</b> (4 off)	
AC-SFSS-SCREW COVER-B*4	Screw Cover <b>Beige</b>	2 (Cover only)
AC-SFSS-SCREW COVER-W*4	Screw Cover <b>White</b>	
AC-SFSS-XBAR ENDCAPS-B*4	Cross bar endcap <b>Beige</b>	5 & 15 (2 of each)
AC-SFSS-XBAR ENDCAPS-W*4	Cross bar endcap <b>White</b>	

## Parts List

Item No.	Description
1	Roller Cover
2	Corner Moulding (4 off)
3	Spring
4	Blackout Fabric (1 off)
5	RH End Cap

Item No.	Description
6	Brush Strip
7	Side Rail
8	Magnetic Strip
9	Crossbar
10	Roller

Item No.	Description
11	Flyscreen Mesh (1 off)
12	Cloth Strip
13	Radius Adaptor (4 off)
14	PVC Liner (1 off)
15	LH End Cap

Item No.	Description
16	Handle with clip
17	Tape
18	Idler Bearing
All Parts 2 off unless stated	