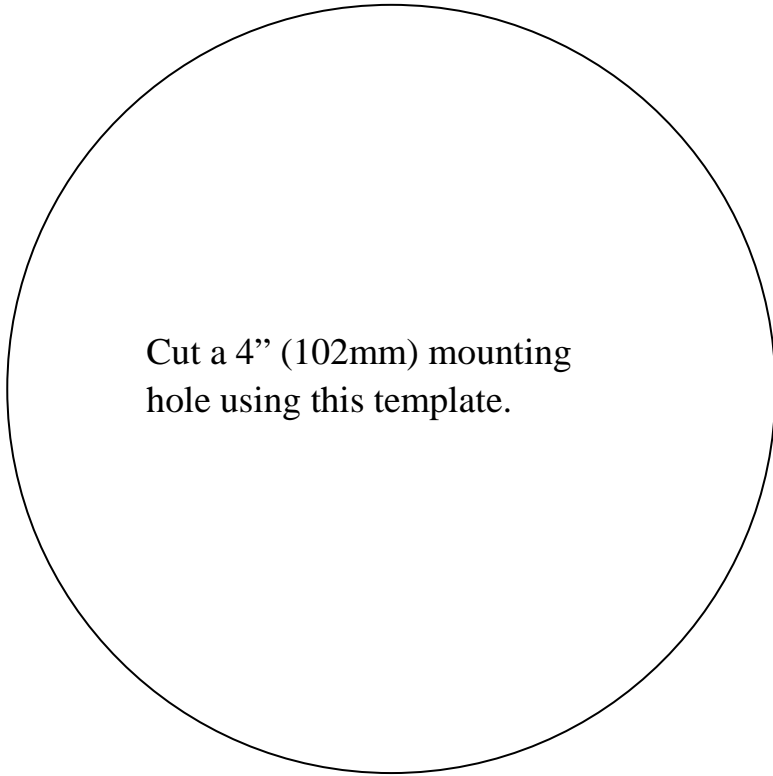




ASSEMBLY INSTRUCTIONS

Model 11485 – 11486 - 11487 Low Silhouette Roof Vent & Solar Vent

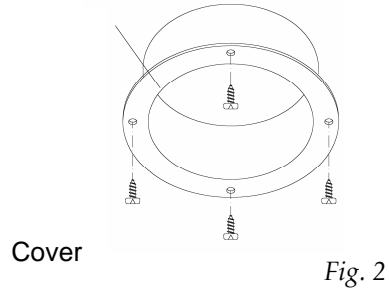
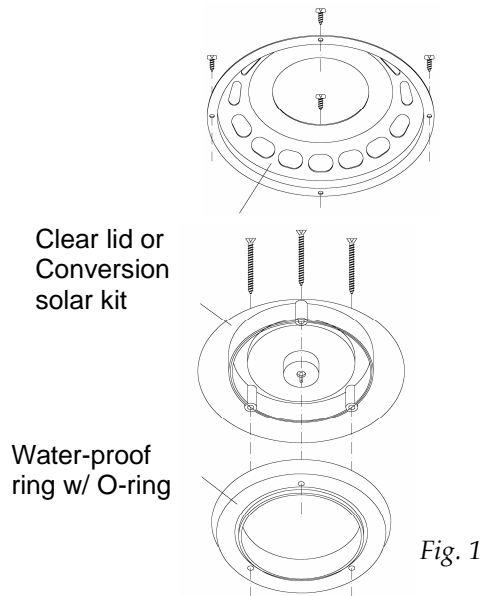


Cut a 4" (102mm) mounting hole using this template.

Place the water-proof ring with O-ring on the mounting hole first. Fasten the clear lid / conversion solar kit to the water-proof ring using 3 s.s. wood screws (M4 x 43mm length) as fig. 1.

Install the stainless cover or white plastic cover on the clear lid / conversion solar kit by using 4 self-tapping screws (M4 x 12mm length) as fig. 2.

Secure the white mounting ring on the underside of the mounting hole to finish the assembly as fig. 3.



Mounting ring

Fig. 3