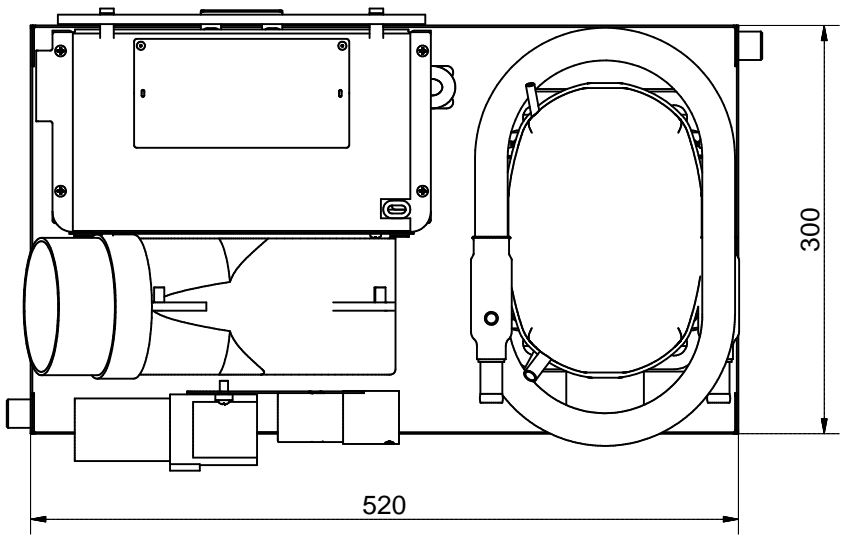
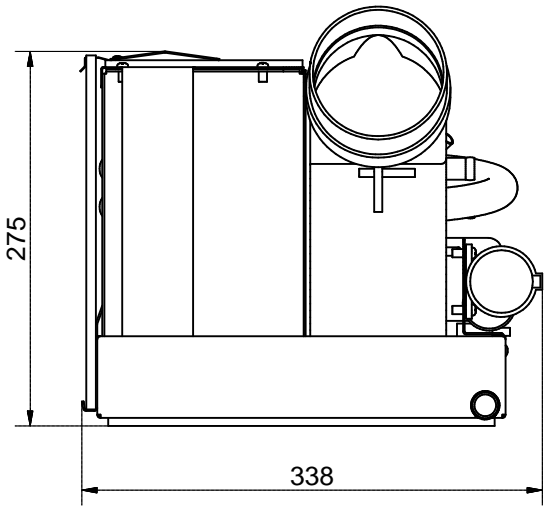
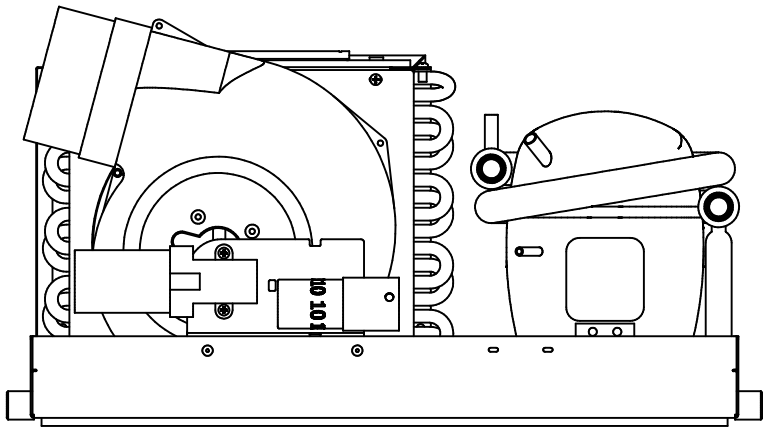


CODICE PROV.	CICLO LAVORO	CICLO MACCHINA	VISTO
--------------	--------------	----------------	-------



VECO S.p.A. GIUSSANO-ITALY		Part Number: MCN9K3			Page: Tav. 1 / 1	03		
Material/Finishing:		NOME: COMPACT 9 DRY PAN MK3				02		
		NAME:				01		
Sch Contr: 03	Spessore:	General Tolerance: ISO 2768-c	Made by: A.BOSELLI	Vised:	Date: 16/02/2011	Rev.	Data	Signature