

Technology data of mixer

Model:17.046.20

www.osculati.com

OSCULATI

Product dimension and installation

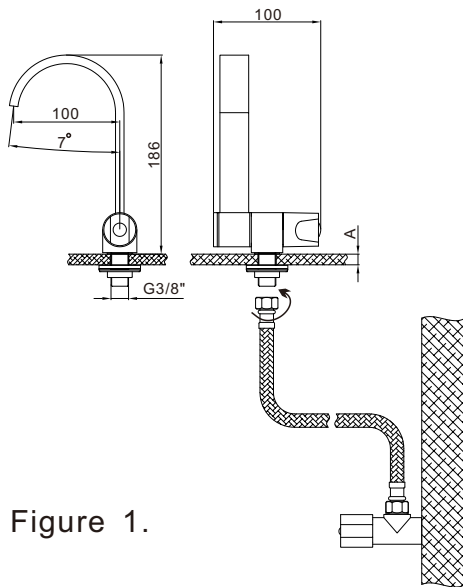


Figure 1.

Making a hole on the table with a diameter $\Phi 17\text{-}\Phi 20\text{mm}$ when assembling, the thickness of mounting surface is $A < 12\text{mm}$ and water inlet connection is G3/8".

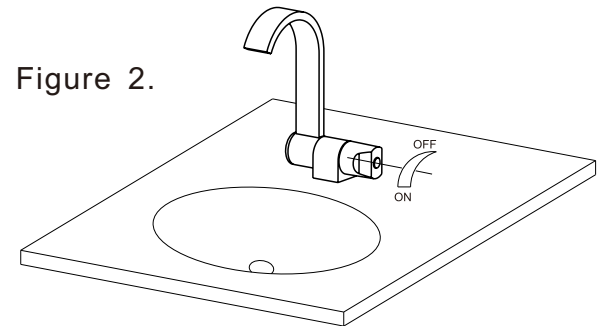


Figure 2.

Turn On: Counterclockwise
Turn Off: Clockwise

Figure 3.

