

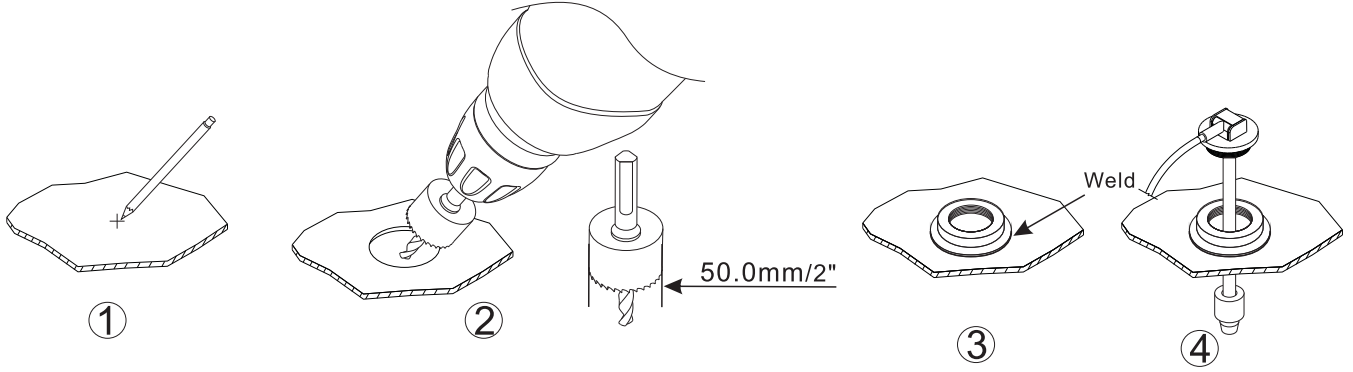


## S3 MOUNTING INSTRUCTIONS

### II. Assemble by flange, applicable to metal (e.g. iron, Alum, SS) tank with thin wall

**Preparation :**

1. Tool: 50.0 mm/2" opener, pencil, electric hand drill.
2. Empty tank, clean tank with water, keep filler open.

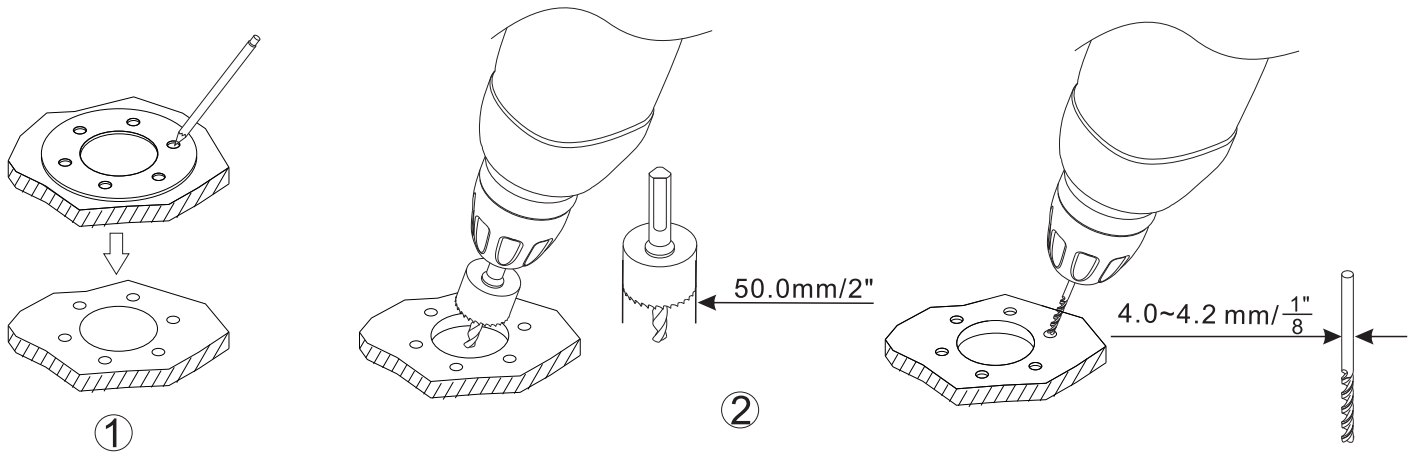


- ① Draw a "cross" in the required open area by pencil in tank
- ② Drill hole with 50mm/2" opener
- ③ Set flange in middle of the hole and weld into tank
- ④ Twist O-ring into flange, done.

### III. Assemble by auto-screw, applicable to plastic tank

**Preparation :**

1. Tool: 4.0~4.2 mm/ $\frac{1}{8}$ " drill, 50.0 mm/2" opener, pencil, electric hand drill.
2. Empty tank, clean tank with water, keep filler open.



- ① Draw the required holes by pencil per gasket's shape in tank
- ② Drill hole with 50mm/2" opener by 4.0 mm and 4.2mm's/ $\frac{1}{8}$ " drill, separately
- ③ Use tapping screw+gasket to set flange into tank per "star pattern" method
- ④ Twist O-ring into flange, done.

