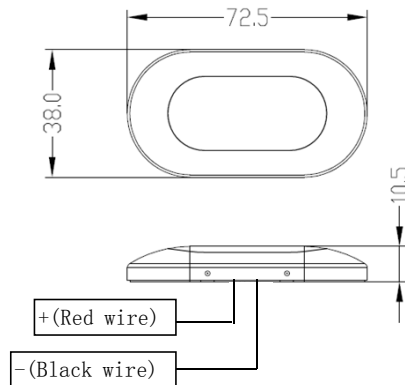
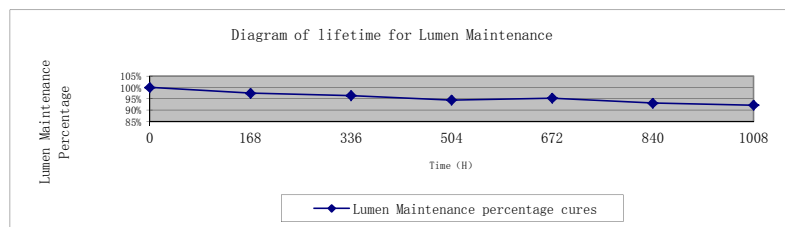


E012081/E012082	
Material	Housing:Made of SUS304
Housing Colour	polished S.S
LED Colour	E012081: Daylight White E012082: Blue
LED	6pcs
LED Beam Angle	120°
Colour Temperature	<input type="checkbox"/> Warm White: K <input checked="" type="checkbox"/> Daylight White: 5500-6300 K
Features	Surface mount
Working Voltage	DC12V
Wattage	1.2 W
Effective Lumen	E012081:83Lumen E012082:22Lumen
water-proofing and dust-proofing	IP: 67
life TEST FOR LED LAMP(1000 hours)	Lumen Maintenance Percentage>90%
Operation Temperature	-20° ~ +45℃
Certificate	<div style="display: flex; justify-content: space-around; align-items: center;"> <div style="border: 1px solid black; padding: 2px;">UL</div> <div style="border: 1px solid black; padding: 2px;">CE</div> <div style="border: 1px solid black; padding: 2px;">RoHS</div> <div style="border: 1px solid black; padding: 2px;">TUV</div> </div>
The light is for type“Z” attachments.The external flexible cable or cord of this luminaire cannot be replaced;if the cord is damaged, the luminaire shell be destroyed	

13.178.04



LIFETIME FOR LUMEN MAINTENANCE



100, 00%	0	131	
97, 48%	168	132	2, 52%
96, 43%	336	123	3, 57%
94, 38%	504	119	5, 62%
95, 29%	672	121	4, 71%
93, 10%	840	123	6, 90%
92, 20%	1008	119	7, 80%

Testing Module:Lasting 1000 hrs, Temperature Range 36-40℃, Humidity:60%RH, Input Voltage:DC12V