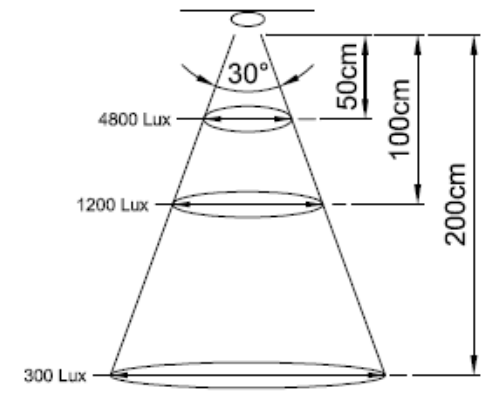
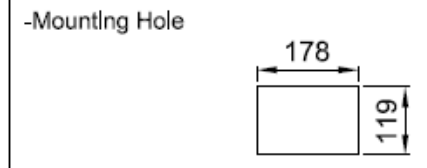


Rating	9-64V DC
Amps	1.09Amps@12V
Insulation Resistance	DC 500V 100M ohm mln.
Operating Temp	-20°~+60°C
Lamp Type	3W x 6 PCS(5000~6300K)
Type Approval	IP66 CE

-Light Intensity of 1200 Lux at 100cm(Center)
-Beam Pattern: Narrow (FWHM: 30°)



Material:
-Housing: PC, White
-Heat Sink: Die Casting Aluminum, Black
-Lens: PC Clear
-Cable: PU or TPE, UL 1430, 18AWG, Black, 30cm



LABEL

OSCULATI
13.263.02
LED Flush-mount Deck-Flood Light
Input:9-64V DC
Output:1.09A@12V

A3

Drawing	Check	Approval	SCI No.	Model Name	LED-Flush-mount-Flood-Light
			Customer No.	Model No.	Rev.
			Unit	mm	0

Date	Name	Descriptions	NO
------	------	--------------	----