

## WARRANTY

This product is covered by our 2-year limited warranty. If you want to claim a warranty for your product, please fill in the form at [www.osculati.it](http://www.osculati.it)

## APPROVALS

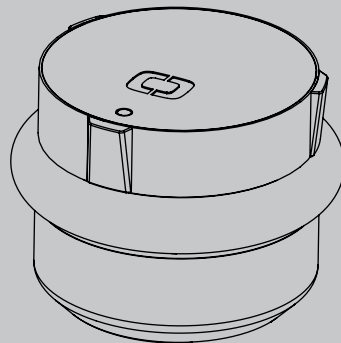
The light in this package is type approved for COLREG72 standards.

All files (text and images) included in the following document are property of Osculati S.r.l., therefore their partial or total reproduction to a third part or any different use without a written authorization is forbidden. Thank you for your choice.

**Osculati S.r.l.**  
via Pacinotti, 12 - 20054 Segrate MI - Italy  
tel. +39 02 2699 111; fax +39 02 2699 1120 - [info@osculati.it](mailto:info@osculati.it) ; [www.osculati.com](http://www.osculati.com)

# OSCULATI

## Discovery Light



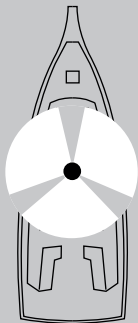
## User instructions

**Code 11.477.08**

## Discovery Light

Thank you for purchasing the Discovery Lights from Osculati. Our products are built to ensure a long lifetime in the most extreme marine conditions.

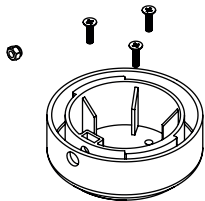
They can be applied to all the yachts under 20 meters length, sailing boats, fish boats, motor boats and others.



### 1 - Mounting

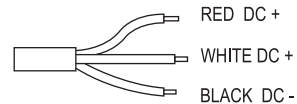
The first step to set your light in the right position is find the alignment to the vessel centerline, inside mounting base component is engraved and harrow that indicate the front direction.

Be sure that the position of installing ensure the light's maximum visibility. After accurately decided the position fix the base with three screw.



### 2 - Connecting power

The light is supplied by a DC 12/24 V Input wire. The included extended length of input wire is 500mm. Users should prepare extra extended wire with corresponding length according to the actual application. To avoid any function defective of the light, the waterproof process of the joint position for the wire connection must be reliable. When cable is ready, connect the waterproof connector and plug it firmly (when connecting the waterproof connector, make sure that the wire cores with same color are aligned with each other).



### 3 - Close the light

Align vertically the top light on the bottom, push and twist to lock the shell. Than insert the lock screw for security close.

